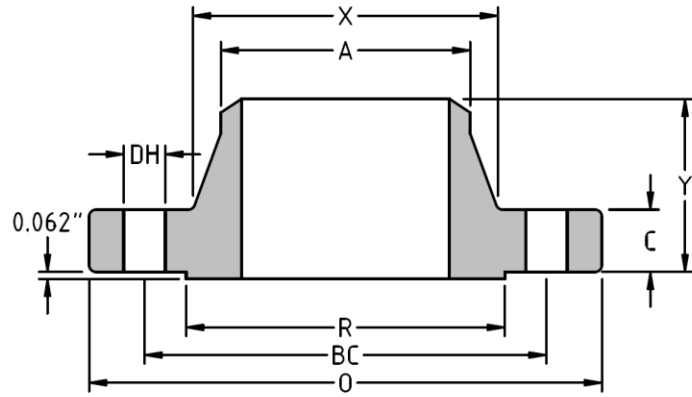




Weld Neck Flange
CLASS 300
Inches / Pounds



Nominal Pipe Size	Outside Diam. of Flange (O)	Thick. of Flange (C)	Diam. of Raised Face (R)	Diam. of Hub at Base (X)	Diam. of Hub at Point of Welding (A)	Length thru Hub (Y)	No. of Holes	Diam. of Holes (DH)	Diam. of Bolts	Diam. of Bolt Circle (BC)	Approx. Weight (in Pounds)
1/2	3.75	0.50	1.38	1.50	0.84	2.06	4	0.62	0.50	2.62	2
3/4	4.62	0.56	1.69	1.88	1.05	2.25	4	0.75	0.62	3.25	3
1	4.88	0.63	2.00	2.12	1.32	2.44	4	0.75	0.62	3.50	4
1 1/4	5.25	0.69	2.50	2.50	1.66	2.56	4	0.75	0.62	3.88	5
1 1/2	6.12	0.75	2.88	2.75	1.90	2.69	4	0.88	0.75	4.50	7
2	6.50	0.82	3.62	3.31	2.38	2.75	8	0.75	0.62	5.00	9
2 1/2	7.50	0.94	4.12	3.94	2.88	3.00	8	0.88	0.75	5.88	12
3	8.25	1.06	5.00	4.62	3.50	3.12	8	0.88	0.75	6.62	15
3 1/2	9.00	1.13	5.50	5.25	4.00	3.19	8	0.88	0.75	7.25	18
4	10.00	1.19	6.19	5.75	4.50	3.38	8	0.88	0.75	7.88	25
5	11.00	1.32	7.31	7.00	5.56	3.88	8	0.88	0.75	9.25	32
6	12.50	1.38	8.50	8.12	6.63	3.88	12	0.88	0.75	10.62	42
8	15.00	1.56	10.62	10.25	8.63	4.38	12	1.00	0.88	13.00	67
10	17.50	1.82	12.75	12.62	10.75	4.62	16	1.12	1.00	15.25	91
12	20.50	1.94	15.00	14.75	12.75	5.12	16	1.25	1.12	17.75	140
14	23.00	2.06	16.25	16.75	14.00	5.62	20	1.25	1.12	20.25	180
16	25.50	2.19	18.50	19.00	16.00	5.75	20	1.38	1.25	22.50	250
18	28.00	2.32	21.00	21.00	18.00	6.25	24	1.38	1.25	24.75	320
20	30.50	2.44	23.00	23.12	20.00	6.38	24	1.38	1.25	27.00	400
24	36.00	2.69	27.25	27.62	24.00	6.62	24	1.62	1.50	32.00	580

** Dimensions conform to ASTM A/SA-105; ANSI B16.5*

** Bore to be determined at time of order.*



SERVICE METAL
Trust In Every Connection

MASTER DISTRIBUTOR OF
PIPE FITTINGS & VALVES

