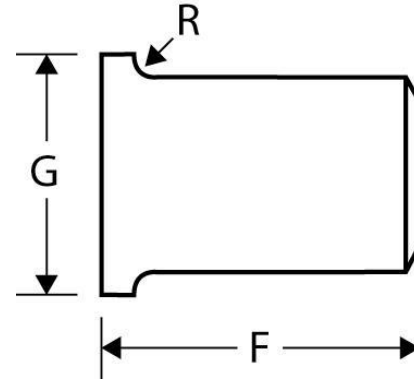




Lap Joint Stub Ends  
**STANDARD WEIGHT**  
Inches / Pounds



Nominal Pipe Size	Outside Diameter	Inside Diameter	Wall and Lap Thickness	Lap Diameter (G)	Fillet Radius (R)	Overall Length (F)	Pipe Schedule	Approximate Weight (in Pounds)
1/2	0.84	0.622	0.109	1.38	0.12	3	STD/40	0.30
3/4	1.05	0.824	0.113	1.07	0.12	3	STD/40	0.40
1	1.32	1.05	0.133	2.00	0.12	4	STD/40	0.75
1 1/4	1.66	1.38	0.140	2.50	0.19	4	STD/40	1.1
1 1/2	1.90	1.61	0.145	2.88	0.25	4	STD/40	1.25
2	2.38	2.07	0.154	3.63	0.31	6	STD/40	2.25
2 1/2	2.88	2.45	0.203	4.13	0.31	6	STD/40	3.5
3	3.50	3.07	0.216	5.00	0.38	6	STD/40	4.75
3 1/2	4.00	3.55	0.226	5.50	0.38	6	STD/40	6
4	4.50	4.03	0.237	6.12	0.44	6	STD/40	7.25
5	5.56	5.05	0.258	7.31	0.44	8	STD/40	12
6	6.63	6.07	0.280	8.50	0.50	8	STD/40	16
8	8.63	7.98	0.322	10.63	0.50	8	STD/40	23
10	10.75	10.02	0.365	12.75	0.50	10	STD/40	36
12	12.75	12.00	0.375	15.00	0.50	10	STD*	47
14	14.00	13.25	0.375	16.25	0.50	12	STD/30	64
16	16.00	15.25	0.375	18.50	0.50	12	STD/30	74
18	18.00	17.25	0.375	21.00	0.50	12	STD*	85
20	20.00	19.25	0.375	23.00	0.50	12	STD/20	95
24	24.00	23.25	0.375	27.25	0.50	12	STD/20	116

**\* STD\* designates Standard Weight (standard wall). This size and thickness do not correspond to any pipe schedule number.**

**\* Dimensions conform to ASME B16.9 & material conforms to ASTM SA-234 Grade B.**