

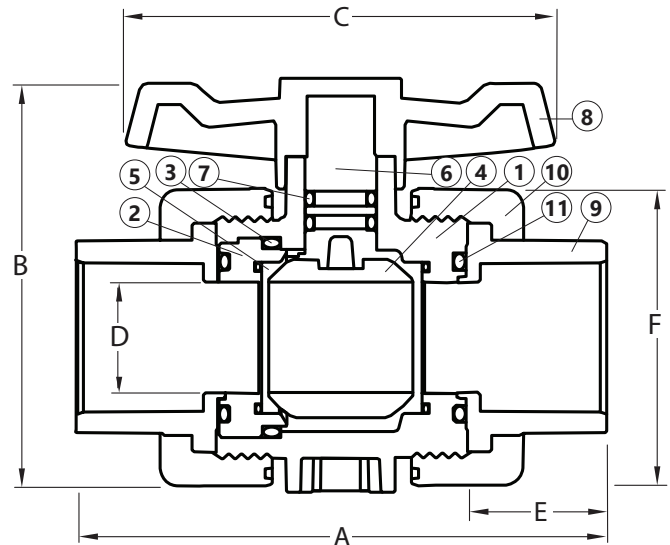
Thermoplastic Valve



Tru-Union PVC • Schedule 80 • Threaded and Solvent Connections • 150 WOG



T/S-703



Features

- **NPS connections**
- Easy installation with hand-tightened union nuts
- Easy line breakdowns without installing additional unions
- Full port design minimum flow restrictions
- Manufactured/assembled without hydrocarbon lubricants
- Mounting pads for electric or pneumatic actuation
- Includes threaded and socket ends
- Wetted surfaces contain less than .25% lead content

Approvals

- ANSI B1.20.1
- ASTM F1970

Pressure Rating

- Max service temperature 140°F, 150 PSI @ 73°F continuous
- Min temperature 41°F

WARNING: This product can expose you to chemicals including Carbon Black, which is known to the State of California to cause cancer, and 1,3-Butadiene, which is known to the State of California to cause birth defects or other reproductive harm. For more information go to www.P65Warnings.ca.gov.

Material Specifications

No.	Part	Materials
1	Body	UPVC
2	Body Insert	UPVC
3	Body O-ring	EPDM
4	Ball	UPVC
5	Seat (2)	PTFE
6	Stem	UPVC
7	Stem O-ring (2)	EPDM
8	Handle	ABS Plastic
9	Tail Piece (2)	UPVC
10	Union Nut (2)	UPVC
11	Union O-ring (2)	EPDM

Dimensions

Part No.	Size	A	B	C	D	E	F
210-543	1/2"	3.76	2.76	2.84	0.55	0.88	1.89
210-544	3/4"	4.16	3.25	3.35	0.79	1.00	2.32
210-545	1"	4.72	3.60	3.86	0.98	1.13	2.64
210-546	1.25"	5.32	4.25	4.02	1.26	1.25	3.07
210-547	1.5"	5.96	4.82	4.53	1.58	1.38	3.66
210-548	2"	6.81	5.85	5.55	1.99	1.50	4.45
210-549	2.5"	8.27	7.32	7.09	2.48	1.75	5.59
210-550	3"	9.61	8.62	8.19	3.03	1.88	6.61
210-551	4"	12.91	11.22	10.79	4.01	2.25	8.90