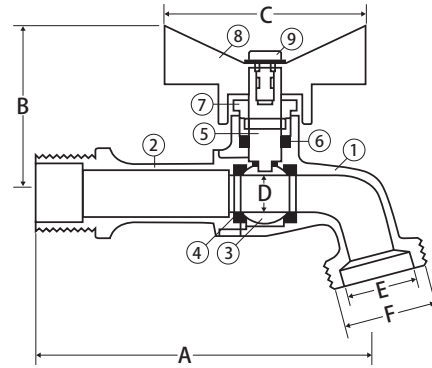


Lead Free Brass Hose Bibb Ball Valve

Nickel Plated and Lead Free Brass • Threaded Connection • Quarter Turn • 200 WOG



T-632G



T-Handle Material Specifications

No.	Part	Materials
1	Body	Lead Free Nickel Plated Brass
2	End Connection	Lead Free Nickel Plated Brass
3	Ball	Lead Free Chrome Plated Brass
4	Seat (2)	PTFE
5	Stem	Lead Free Brass
6	Packing	PTFE
7	Packing Gland	Lead Free Brass
8	Handle	Aluminum
9	Handle Nut	Lead Free Nickel Plated Brass

T-Handle Dimensions

Part No.	Size	A	B	C	D	E	F
201-205G	1/2"	3.02	1.43	1.91	0.39	0.75	3/4 GHT
201-206G	3/4"	3.06	1.43	1.91	0.39	0.75	3/4 GHT

Features (T-632G T-Handle)

- Aluminum T-handle for easy operation
- Long life positive shutoff
- Nickel-plated finish
- Truesdail Certified NSF/ANSI/CAN 61 & 372
- 1/2" has combination 1/2" MIP and 1/2" solder inlet
- Wetted surfaces contain less than .25% lead content

Features (T-632G Lever Handle)

- Lead Free Brass
- Long life positive shutoff
- 1/2" has combination 1/2" MIP and 1/2" solder inlet
- Wetted surfaces contain less than .25% lead content

Approvals

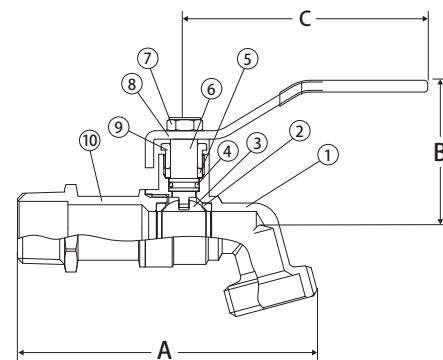
- Lead Free Compliant
- ANSI B1.20.1 and B1.20.7

Valve Seat Rating

- 200 WOG

Lever Handle Dimensions

Part No.	Size	A	B	C	CV
201-215G	1/2"	3.49	1.73	3.46	7.92
201-216G	3/4"	3.59	1.73	3.46	7.92



Lever Handle Material Specifications

No.	Part	Materials
1	Body	Brass C46500
2	Seat	PTFE
3	Ball	Chrome Plated C46500
4	O-Ring	NBR
5	Packing	PTFE
6	Stem	Brass C37700
7	Handled Nut	Steel Chrome Plate
8	Handle	Steel Chrome Plate
9	Packing Nut	Brass C37700
10	Cap	Brass C37700