

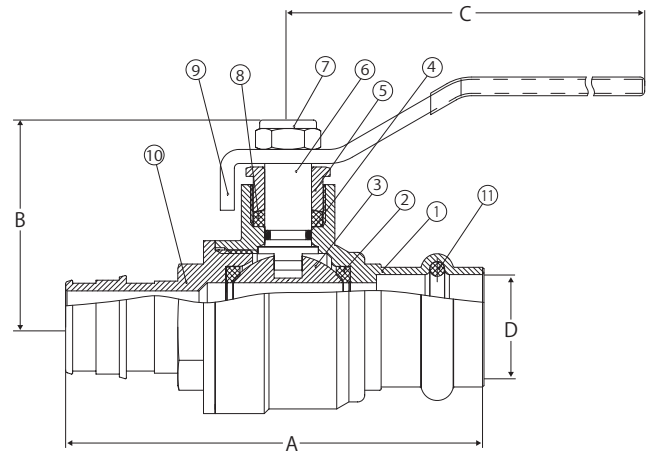
Lead Free Brass Ball Valve



2 Piece • Standard Port • Press x Expansion Pex Connection • 250 WOG



T-422G Press



Features

- Gland follower and single o-ring stem design
- Blow-out proof stem
- 100% leak tested
- Wetted surfaces contain less than .25% lead content

Approvals

- ASTM F1960

Pressure Rating

- Body rated to 250 WOG
- Expansion connection rated to 150 WOG up to 200°F

Material Specifications

| No. | Part | Materials |
|-----|-------------|--------------------------|
| 1 | Body | Lead Free Brass - C46400 |
| 2 | Seat | PTFE |
| 3 | Ball | 304 Stainless Steel |
| 4 | O-ring | NBR |
| 5 | Packing Nut | Brass - C37700 |
| 6 | Stem | Brass - C37700 |
| 7 | Handle Nut | Steel - Chrome Plated |
| 8 | Packing | PTFE |
| 9 | Handle | Steel - Chrome Plated |
| 10 | Cap | Lead Free Brass - C46400 |
| 11 | O-ring | EPDM |

Dimensions

| Part No. | Size | A | B | C | D |
|-----------|------|------|------|------|------|
| 104-563PG | 1/2" | 2.95 | 1.81 | 3.46 | 0.59 |
| 104-564PG | 3/4" | 3.52 | 2.09 | 4.29 | 0.75 |
| 104-565PG | 1" | 4.07 | 2.25 | 4.29 | 0.98 |



WARNING: This product can expose you to chemicals including lead, which is known to the State of California to cause cancer, and lead, which is known to the State of California to cause birth defects or other reproductive harm. For more information go to www.P65Warnings.ca.gov.