

# Lead Free Brass Ball Valve



## 2 Piece • Threaded Male x Crimp Pex Connection • 600 WOG



T-412G MIP

### Features

- Gland follower and single o-ring stem design
- Blow-out proof stem
- 100% leak tested
- Wetted surfaces contain less than .25% lead content

### Approvals

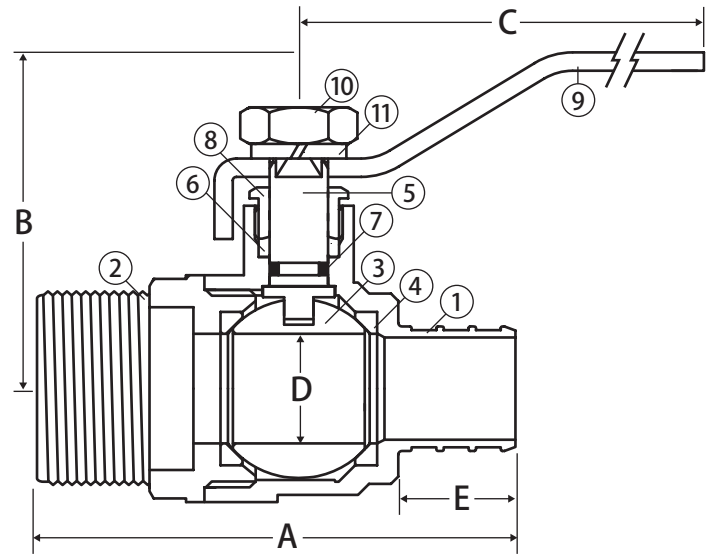
- ASTM F1807
- RoHS Compliant
- CSA Certified
  - ASME A112.4.14
- IAPMO Certified
  - NSF 61-8
  - NSF 372
  - Uniform Plumbing Code (cUPC)
    - IAPMO/ANSI Z1157-2014
    - NSF/ANSI 14-2014
  - ASME/ANSI B16.18

### Pressure Rating

- Body rated to 600 WOG
- Crimp connection rated to 100 WOG up to 180°F

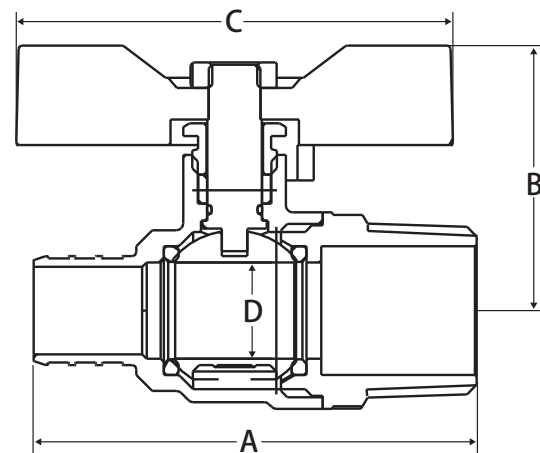
### Material Specifications

| No. | Part           | Materials                |
|-----|----------------|--------------------------|
| 1   | Body           | Lead Free Brass - C46400 |
| 2   | End Connection | Lead Free Brass - C46400 |
| 3   | Ball           | 304 Stainless Steel      |
| 4   | Seat (2)       | PTFE                     |
| 5   | Stem           | 304 Stainless Steel      |
| 6   | Packing        | PTFE                     |
| 7   | Stem O-ring    | Buna-N                   |
| 8   | Packing Gland  | Lead Free Brass - C46400 |
| 9   | Handle         | Steel - Chrome Plated    |
| 10  | Handle Nut     | Steel - Chrome Plated    |
| 11  | Lock Washer    | Steel - Chrome Plated    |



### Standard Handle Dimensions

| Part No.   | Size | A    | B    | C    | D    | E    |
|------------|------|------|------|------|------|------|
| 103-534MPG | 3/4" | 2.58 | 1.65 | 3.54 | 0.53 | 0.63 |



### Red T-Handle Dimensions

| Part No.   | Size | A    | B    | C    | D    |
|------------|------|------|------|------|------|
| 113-534MPG | 3/4" | 2.72 | 1.78 | 2.05 | 0.59 |



**WARNING:** This product can expose you to chemicals including lead, which is known to the State of California to cause cancer, and lead, which is known to the State of California to cause birth defects or other reproductive harm. For more information go to [www.P65Warnings.ca.gov](http://www.P65Warnings.ca.gov).