

Brass Gate Valve



Non-rising Stem • Threaded Connection • 200 WOG



T-301

Features

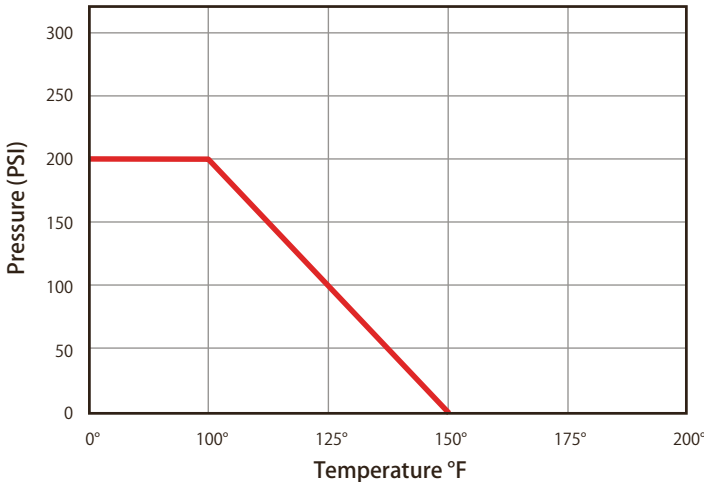
- Manufactured in ISO-9001 facility
- Solid wedge gate

Approvals

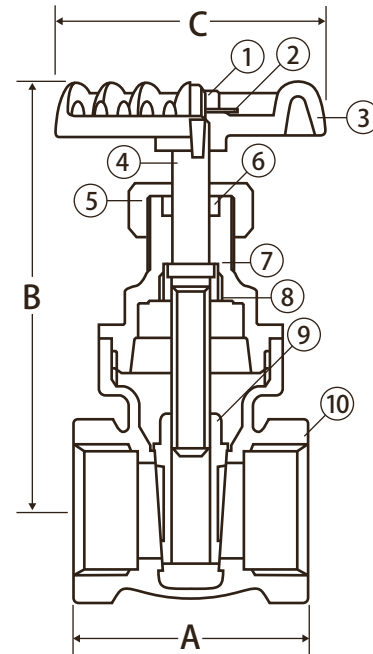
- ANSI B1.20.1

Pressure Rating

200 WOG



WARNING: This product can expose you to chemicals including lead, which is known to the State of California to cause cancer, and lead, which is known to the State of California to cause birth defects or other reproductive harm. For more information go to www.P65Warnings.ca.gov.



Material Specifications

No.	Part	Materials
1	Handle Nut	Steel
2	Name Plate	Aluminum
3	Hand Wheel	Cast Iron
4	Stem	Brass
5	Packing Nut	Brass
6	Gland Packing	Buna-N
7	Bonnet	Cast Brass
8	Lock Nut	Brass
9	Disc	Cast Brass
10	Body	Cast Brass

Dimensions

Part No.	Size	A	B	C
103-303	1/2"	1.69	2.84	2.13
103-304	3/4"	1.85	3.31	2.13
103-305	1"	2.17	3.94	2.52
103-306	1-1/4"	2.40	4.57	2.75
103-307	1-1/2"	2.52	4.84	3.07
103-308	2"	2.83	5.90	3.54
103-309	2-1/2"	3.51	7.33	4.14
103-310	3"	3.98	8.75	5.12
103-311	4"	4.57	10.17	6.78