

Gas Ball Valve



2 Piece • Flare Connection • 175 WOG



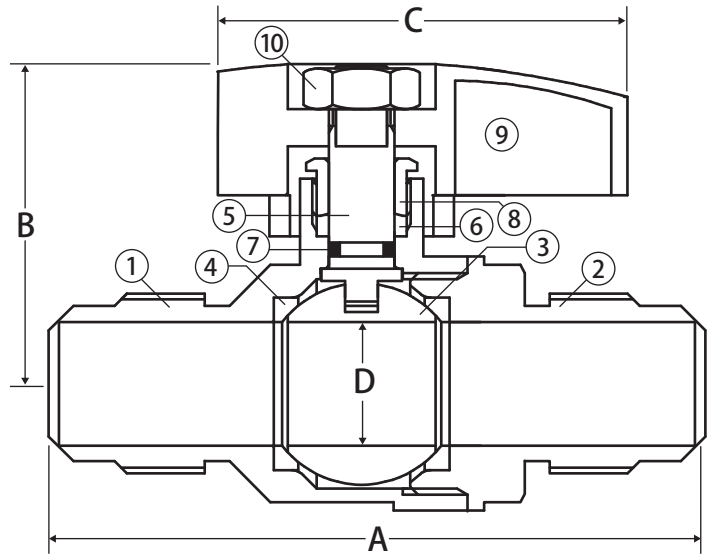
Flare x Flare



Flare x FIP

T-2004C

CRN# 0C16654.5



Features

- Gland follower and single o-ring stem design
- Valve can be locked in the closed position by reversing the handle
- Plastic caps to protect flare connection and threads
- 100% leak tested

Approvals

- UL Listed
 - YSDT - LP gas shut-off valves
- CSA Certified
 - ANSI Z21.15 (.5 PSIG) (5/8")
- Flare Connection in accordance with NFPA 54/ANSI Z223.1

Pressure Rating

- 175 PSIG
- Temp range: -20°F to 300°F
- MSS SP-110



WARNING: This product can expose you to chemicals including lead, which is known to the State of California to cause cancer, and lead, which is known to the State of California to cause birth defects or other reproductive harm. For more information go to www.P65Warnings.ca.gov.

Material Specifications

No.	Part	Materials
1	Body	Brass - C37700
2	End Connection	Brass - C37700
3	Ball	Chrome Plated Brass - C37700
4	Seat (2)	PTFE
5	Stem	Brass - C37700
6	Packing	PTFE
7	Stem O-ring	Buna-N
8	Packing Gland	Brass - C37700
9	Handle	Aluminum
10	Handle Nut	Steel - Chrome Plated

Dimensions

Part No.	Size	A	B	C	D
Flare x Flare					
102-612	3/8"	2.42	1.44	1.97	0.28
102-613	1/2"	2.68	1.44	1.97	0.39
102-614	5/8"	3.12	1.52	1.97	0.47
Flare x FIP					
102-633	1/2"	0.99	0.57	1.97	0.39