

Lead Free Brass Ball Valve

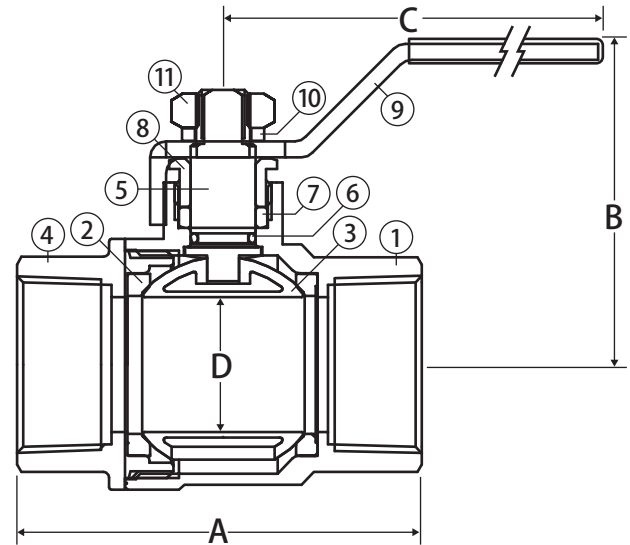


2 Piece • Full Port • Threaded Connection • 600 WOG



T-150G

CRN# 0C17996.52



- Features** Dezincification resistant brass alloy
- Gland follower and single o-ring stem design
 - Blow-out proof stem
 - Wetted surfaces contain less than .25% lead content

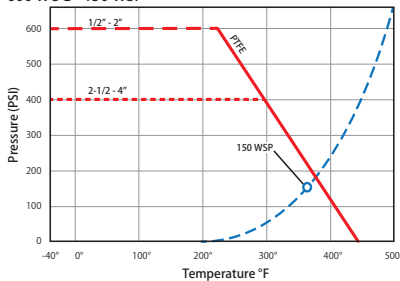
Approvals



- UL Listed
 - VQGU - Trim & drain (1/2" - 2")
 - MHKZ - Manual valves
 - YQNZ - Compressed gas shut-off valves
 - YRBX - Flammable liquid shut-off valves
 - YRPV - Gas shut-off valves
 - YSDT - LP gas shut-off valves
- IAPMO Certified
 - NSF 61-8
 - NSF 372
 - Uniform Plumbing Code (cUPC) (1/2" - 2")
 - IAPMO/ANSI Z1157-2014
 - NSF/ANSI 14-2014
- CSA Certified (.5, 5, 125 PSIG) (1/2" - 2")
 - CGA 3.16
 - ASME B16.33
 - ANSI Z21.15
 - ASME B16.44
 - CGA CR91
- MSS SP-110
- ANSI B1.20.1
- FM Approval (1/4" - 2")

Valve Seat Rating

600 WOG - 150 WSP



Material Specifications

No.	Part	Materials
1	Body	Lead Free Brass - C46500
2	Seat (2)	PTFE
3	Ball	304 Stainless Steel
4	End Connection	Lead Free Brass - C46500
5	Stem	Brass - 37700
6	O-ring	Viton
7	Packing	PTFE
8	Packing Gland	Brass - 37700
9	Handle	Steel
10	Lock Washer	Steel
11	Handle Nut	304 Stainless Steel

Dimensions

Part No.	Size	A	B	C	D
150-103G	1/2"	2.09	1.78	3.94	0.59
150-104G	3/4"	2.38	1.94	3.94	0.79
150-105G	1"	2.93	2.20	4.33	0.98
150-106G	1-1/4"	2.93	2.54	5.00	1.26
150-107G	1-1/2"	3.63	3.02	6.18	1.57
150-108G	2"	4.17	3.34	6.18	1.97
150-109G	2-1/2"	5.33	4.72	9.45	2.56
150-110G	3"	6.01	5.12	9.45	2.95
150-111G	4"	7.23	6.57	9.45	3.96



WARNING: This product can expose you to chemicals including lead, which is known to the State of California to cause cancer, and lead, which is known to the State of California to cause birth defects or other reproductive harm. For more information go to www.P65Warnings.ca.gov.