

Lead Free Brass Ball Valve



2 Piece • Full Port • Threaded x Hose Connection • 600 WOG •
Stainless Steel Ball and Stem • with Cap and Chain



T-100HFG

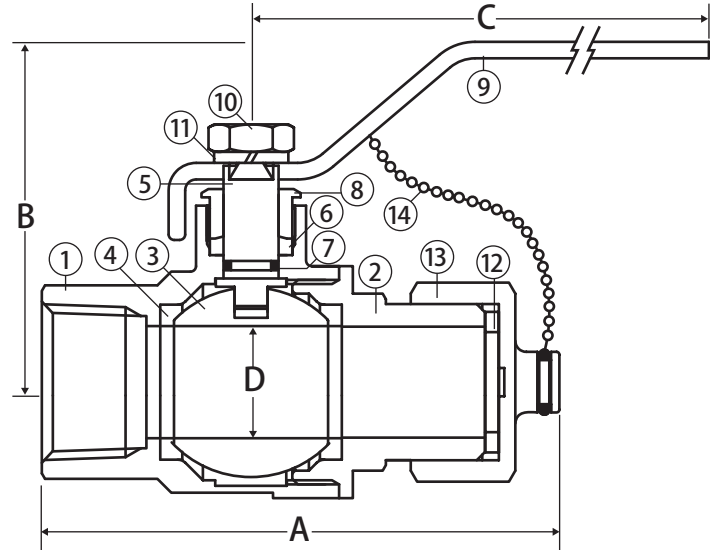
Features

- Dezincification resistant brass
- Gland follower and single o-ring stem design
- Blow-out proof stem
- Cap and chain for easy drain & hose connection
- Heavy steel chain
- 100% leak tested
- IAPMO Certified - NSF 372
- Wetted surfaces contain less than .25% lead content

Approvals



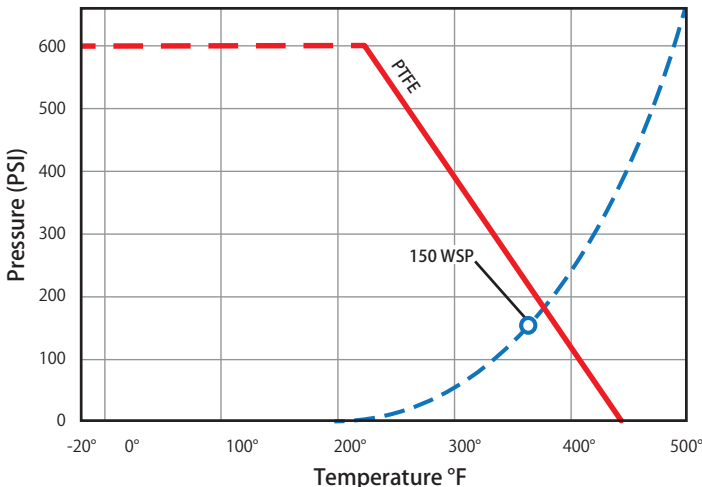
- IAPMO Certified
 - NSF 61-8
 - NSF 372
 - Uniform Plumbing Code (cUPC)
 - IAPMO/ANSI Z1157-2014
 - NSF/ANSI 14-2014
- ANSI B1.20.1
- ANSI B1.20.7



Material Specifications

| No. | Part | Materials |
|-----|----------------|--------------------------|
| 1 | Body | Lead Free Brass - C46500 |
| 2 | End Connection | Lead Free Brass - C46500 |
| 3 | Ball | 304 Stainless Steel |
| 4 | Seat (2) | PTFE |
| 5 | Stem | 304 Stainless Steel |
| 6 | Packing | PTFE |
| 7 | Stem O-ring | Buna-N |
| 8 | Packing Gland | Lead Free Brass - C46500 |
| 9 | Handle | Steel - Chrome Plated |
| 10 | Handle Nut | Steel - Chrome Plated |
| 11 | Lock Washer | Steel - Chrome Plated |
| 12 | Cap Washer | EPDM |
| 13 | Cap | Lead Free Brass - C46500 |
| 14 | Chain | Steel - Chrome Plated |

Valve Seat Rating 600 WOG - 150 WSP



Dimensions

| Part No. | Size | A | B | C | D |
|----------|------------------|------|------|------|------|
| 100-653G | 1/2" x 3/4" Hose | 3.15 | 1.48 | 3.54 | 0.51 |
| 100-654G | 3/4" x 3/4" Hose | 3.43 | 1.94 | 4.45 | 0.75 |



WARNING: This product can expose you to chemicals including lead, which is known to the State of California to cause cancer, and lead, which is known to the State of California to cause birth defects or other reproductive harm. For more information go to www.P65Warnings.ca.gov.