

Building connections that last™

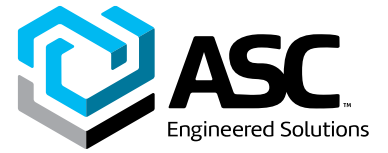


# Sharpe® Series 35

Flanged, ASME  
Gate Valve Datasheet



# ASME Class 150 Flanged Cast Steel Gate Valve Sharpe® Series 35114



## Design Features

- Outside screw and yoke
- Bolted bonnet
- Flexible wedge, fully guided
- Integrated seats
- Rising stem and non-rising hand-wheel
- Available with gear operator
- Trim 8

## Applicable Standards

- Gate valves: API 600
- Steel valves: ANSI B16.34
- Face to face: ANSI B16.10
- End flanges: ANSI B16.5
- Butt-weld ends: ANSI B16.25
- Inspection and test: API 598
- Nace: MR-0175

## Technical Information

Temperature °F	Working Pressure psi
-20 to 100	285
200	260
300	230
400	200
500	170
600	140
650	125
700	110
750	95
800	80
850	65
900	50
950	35
1000	20

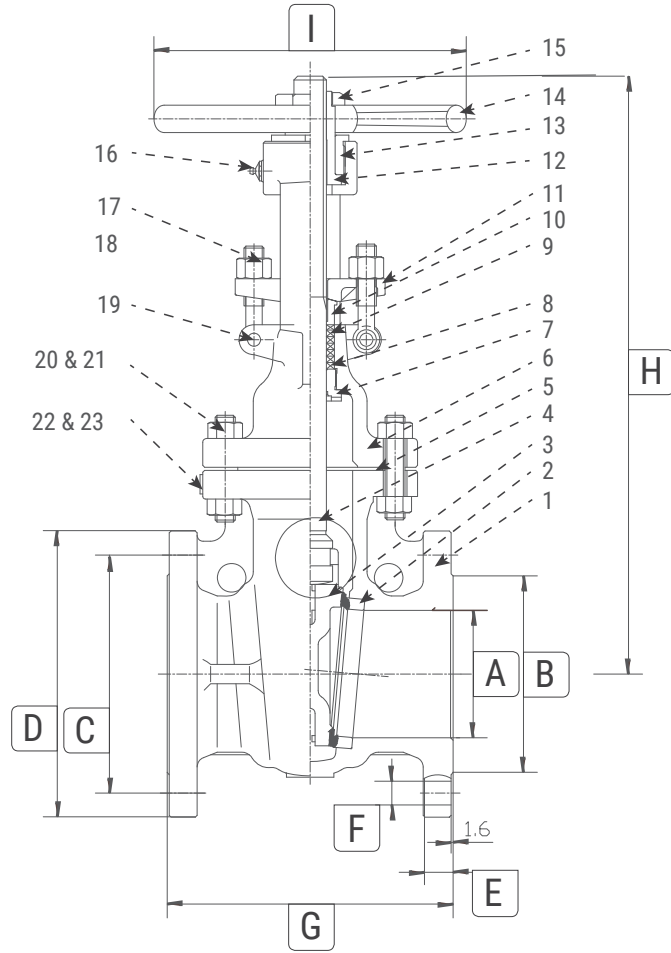
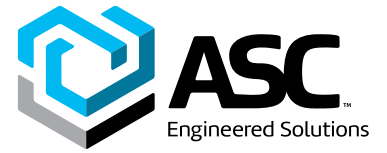


asc-es.com

Building connections that last™



# ASME Class 150 Flanged Cast Steel Gate Valve Sharpe® Series 35114



## Parts & Materials (Sizes 2" – 12")

No.	Part Name	Material
1	Body	Carbon Steel ASTM A216 - WCB
2	Seat	A105 & STL.6
3	Wedge	A216 WCB & ER410
4	Stem	A182 - F6a
5	Gasket	304 Stainless Steel & Graphite
6	Bonnet	Carbon Steel ASTM A216 - WCB
7	Back Seat	410 Stainless Steel
8	Gland Packing	304 Stainless Steel & Graphite
9	Gland Packing	Flexible Graphite
10	Gland	410 Stainless Steel
11	Gland Flange	Carbon Steel ASTM A216 - WCB
12	Stem Nut	A439-D2
13	Gland Nut	Carbon Steel
14	Hand-wheel	Ductile Iron
15	Lock Nut	Carbon Steel
16	Grease Nipple	Carbon Steel
17	Eye Nut	B7 Steel ASTM A193
18	Eye Bolt	2H Steel ASTM A194
19	Pin	Carbon Steel
20	Bolt	B7 Steel ASTM A193
21	Nut	2H Steel ASTM A194

## Dimensions (Inches)

Size	A	B	C	D	E	F	G	H	I	Num of Bolt Holes
2	2.01	3.62	4.76	6.00	0.75	0.75	7.00	12.99	7.87	4
2-½	2.52	4.13	5.51	7.01	0.89	0.75	7.50	13.98	7.87	4
3	2.99	5.00	6.00	7.50	0.94	0.75	7.99	15.47	9.84	4
4	4.02	6.18	7.50	9.00	0.94	0.75	9.00	18.70	9.84	8
6	6.00	8.50	9.50	11.00	1.00	0.875	10.50	23.43	11.81	8
8	8.00	10.62	11.75	13.50	1.12	0.875	11.50	28.86	13.78	8
10	10.00	12.75	14.25	16.00	1.18	1.00	13.00	34.40	15.75	12
12	12.00	15.00	17.00	19.00	1.25	1.00	14.00	40.08	17.72	12

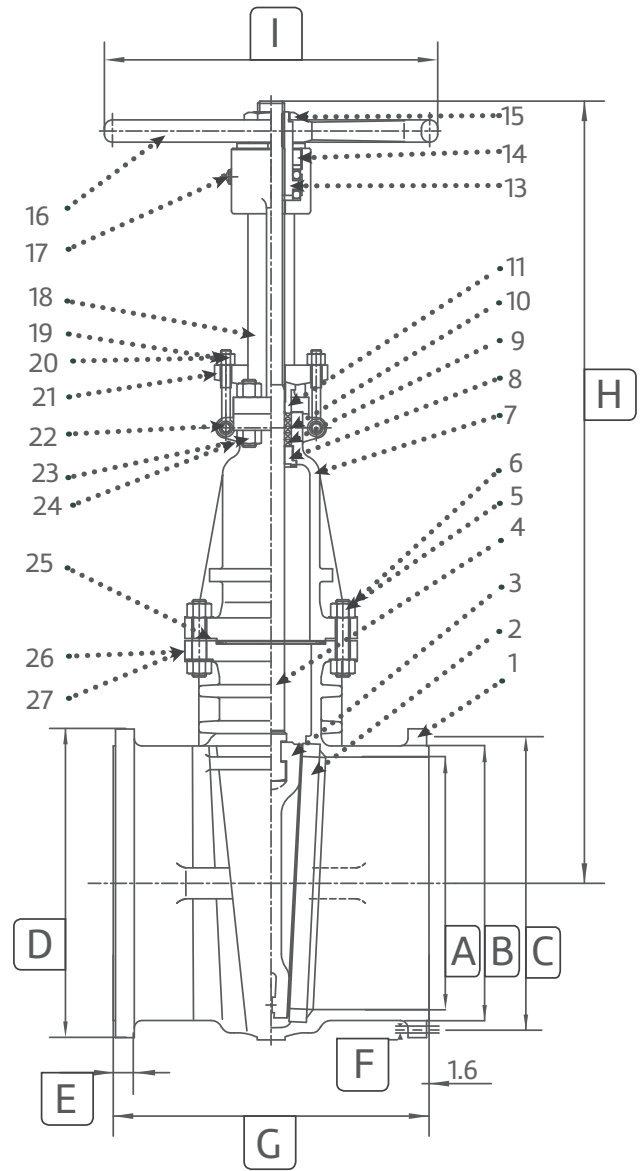
Due to continuous development of our product range, we reserve the right to change the dimensions and information for this product as required.

# ASME Class 150 Flanged Cast Steel Gate Valve Sharpe® Series 35114



## Parts & Materials (Sizes 14" – 24")

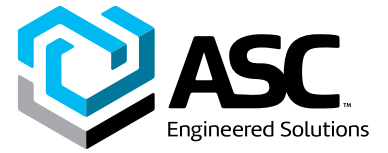
No.	Part Name	Material
1	Body	Carbon Steel ASTM A216 - WCB
2	Seat	A105 & STL.6
3	Wedge	A216 WCB & ER410
4	Stem	A182 - F6a
5	Bolt	B7 Steel ASTM A193
6	Nut	2H Steel A194
7	Bonnet	Carbon Steel ASTM A216 - WCB
8	Back Seat	410 Stainless Steel
9	Gland Packing	304 Stainless Steel & Graphite
10	Gland Packing	Flexible Graphite
11	Gland	410 Stainless Steel
13	Stem Nut	A439-D2
14	Gland Nut	Carbon Steel
15	Lock Nut	Carbon Steel
16	Hand-wheel	Ductile Iron
17	Grease Nipple	Carbon Steel
18	Yoke	Carbon Steel ASTM A216 - WCB
19	Eye Nut	2H Steel ASTM A194
20	Eye Bolt	B7 Steel ASTM A193
21	Gland Flange	Carbon Steel ASTM A216 - WCB
22	Pin	Carbon Steel
23	Bolt	B7 Steel ASTM A193
24	Nut	2H Steel ASTM A194
25	Gasket	304 Stainless Steel & Graphite
26	Name Plate	304 Stainless Steel
27	Rivet	304 Stainless Steel



## Dimensions (Inches)

Size	A	B	C	D	E	F	G	H	I	Num of Bolt Holes
14	13.27	16.25	18.75	21.00	1.37	1.125	15.00	59.70	19.70	12
16	15.21	18.50	21.25	23.50	1.44	1.125	16.00	67.70	22.05	16
18	17.24	21.00	22.75	25.00	1.56	1.25	17.00	74.70	25.20	16
20	19.25	23.00	25.00	27.50	1.68	1.25	18.00	82.99	25.20	20
24	23.21	27.25	29.50	32.00	1.87	1.375	20.00	97.68	28.35	20

ASME Class 150 Flanged  
Cast Steel Gate Valve  
Sharpe® Series 35114



How to order Series 35114

Example:

8		35	-	1	1	4	
Size		Series		Class	Ends	Body Material	Suffixes & Options
2	12	35		1 150	1 Flange	4 ASTM A216 Cast WCB Carbon Steel	GO Gear Operator (POA 12" & Smaller)
2-½	14		2 Butt-weld*				
3	16						
4	18						
6	20						
8	24						
10	-						

**Notes:**

\*POA.

Responsibility for proper selection, use and maintenance of any product remains solely with the purchaser and end user. We reserve the right to modify or improve the designs or specifications of any product at any time without notice.

ASME Class 300 Flanged  
Cast Steel Gate Valve  
**Sharpe® Series 35314**



**Design Features**

- Outside screw and yoke
- Bolted bonnet
- Flexible wedge, fully guided
- Integrated seats
- Rising stem and non-rising hand-wheel
- Available with gear operator
- Trim 8

**Applicable Standards**

- Gate valves: API 600
- Steel valves: ANSI B16.34
- Face to face: ANSI B16.10
- End flanges: ANSI B16.5
- Butt-weld ends: ANSI B16.25
- Inspection and test: API 598
- Nace: MR-0175

**Technical Information**

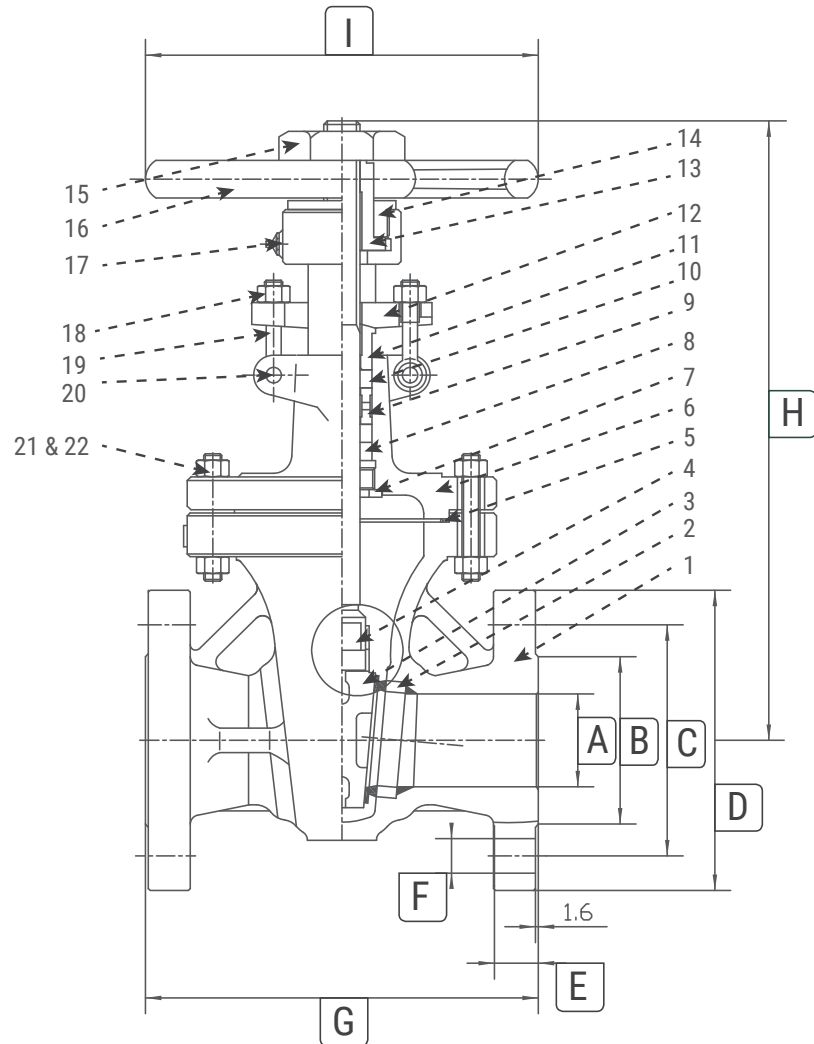
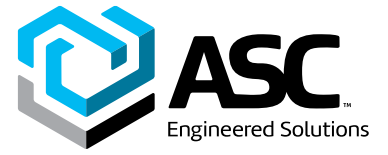
Temperature °F	Working Pressure psi
-20 to 100	740
200	680
300	655
400	635
500	605
600	570
650	550
700	530
750	505
800	410
850	320
900	230
950	135
1000	85



asc-es.com

Building connections that last™

ASME Class 300 Flanged  
Cast Steel Gate Valve  
Sharpe® Series 35314



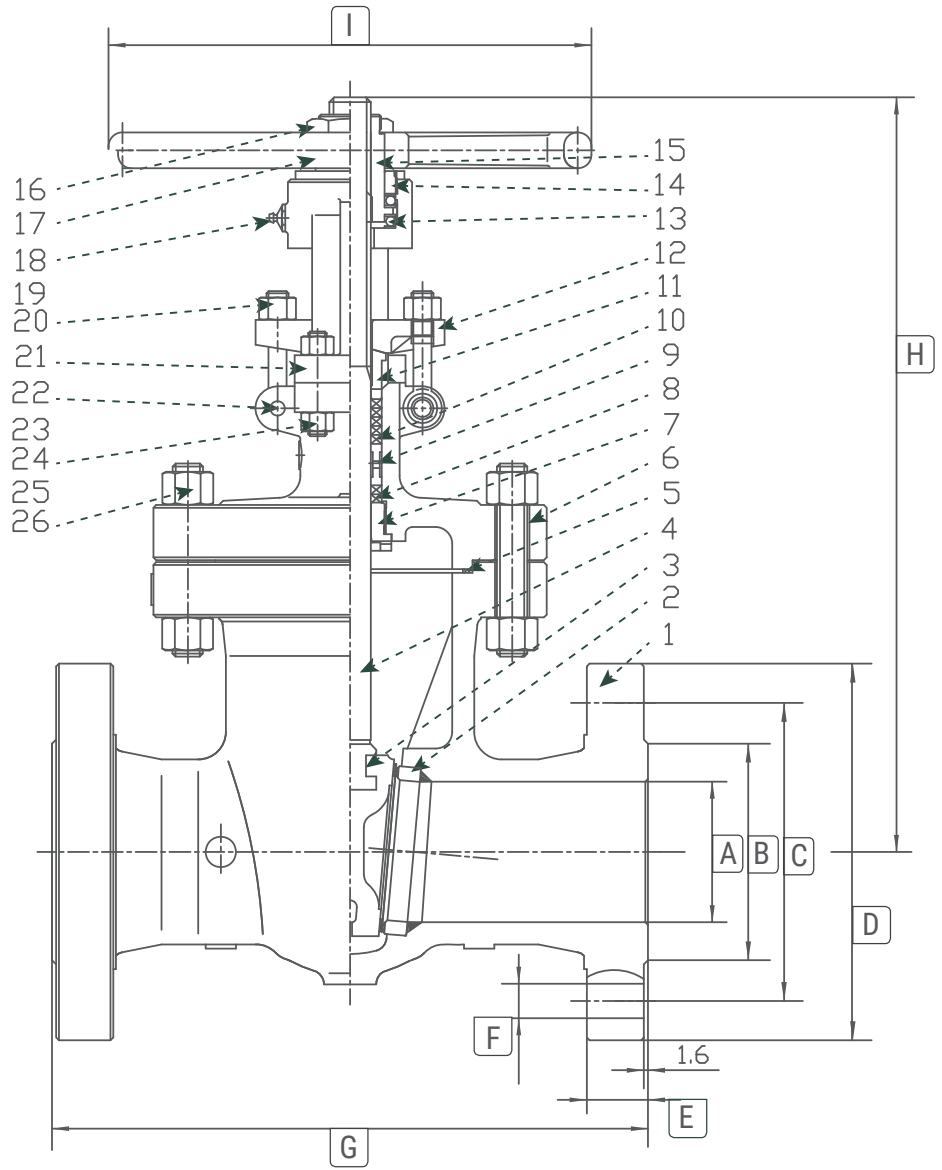
Parts & Materials (Sizes 2" – 10")

No.	Part Name	Material
1	Body	Carbon Steel ASTM A216 - WCB
2	Seat	A105 & STL.6
3	Wedge	A216 WCB & ER410
4	Stem	A182 - F6a
5	Gasket	304 Stainless Steel & Graphite
6	Bonnet	Carbon Steel ASTM A216 - WCB
7	Back Seat	410 Stainless Steel
8	Gland Packing	304 Stainless Steel & Graphite
9	Distance Ring	410 Stainless Steel
10	Gland Packing	Flexible Graphite
11	Gland	410 Stainless Steel
12	Gland Flange	Carbon Steel ASTM A216 - WCB
13	Stem Nut	A439-D2
14	Gland Nut	Carbon Steel
15	Lock Nut	Carbon Steel
16	Hand-wheel	Ductile Iron
17	Grease Nipple	Carbon Steel
18	Eye Nut	B7 Steel A193
19	Eye Bolt	2H Steel A194
20	Pin	Carbon Steel
21	Bolt	B7 Steel A193
22	Nut	2H Steel A194

Dimensions (Inches)

Size	A	B	C	D	E	F	G	H	I	Num of Bolt Holes
2	2.00	3.62	5.00	6.50	0.87	0.75	8.50	14.00	7.87	8
2-½	2.50	4.12	5.88	7.50	1.00	0.875	9.50	18.11	7.87	8
3	3.00	5.00	6.62	8.25	1.12	0.875	11.12	17.10	9.84	8
4	4.02	6.19	7.88	10.00	1.25	0.875	12.00	19.60	9.84	8
6	5.98	8.50	10.62	12.50	1.44	0.875	15.88	25.80	13.78	12
8	8.00	10.62	13.00	15.00	1.62	1.00	16.50	30.80	15.75	12
10	10.00	12.75	15.25	17.50	1.87	1.125	18.00	36.70	17.72	16

ASME Class 300 Flanged  
Cast Steel Gate Valve  
**Sharpe® Series 35314**



**Parts & Materials** (Sizes 12" – 24")

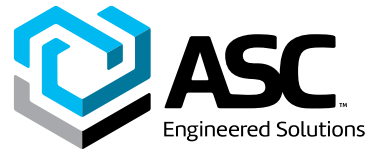
No.	Part Name	Material
1	Body	Carbon Steel ASTM A216 - WCB
2	Seat	A105 & STL.6
3	Wedge	A216 WCB & ER410
4	Stem	A182 - F6a
5	Gasket	304 Stainless Steel & Graphite
6	Bonnet	Carbon Steel ASTM A216 - WCB
7	Back Seat	410 Stainless Steel
8	Gland Packing	304 Stainless Steel & Graphite
9	Distance Ring	410 Stainless Steel
10	Gland Packing	Flexible Graphite
11	Gland	410 Stainless Steel
12	Gland Flange	Carbon Steel ASTM A216 - WCB
13	Gland Nut	Carbon Steel
14	Stem Nut	A439-D2
15	Lock Nut	Carbon Steel
16	Hand-wheel	Ductile Iron
17	Grease Nipple	Carbon Steel
18	Eye Bolt	2H Steel A194
19	Eye Nut	B7 Steel A193
20	Yoke	Carbon Steel ASTM A216 - WCB
21	Pin	Carbon Steel
22	Bolt	B7 Steel A193
23	Nut	2H Steel A194
24	Bolt	B7 Steel A193
25	Nut	2H Steel A194

**Dimensions** (Inches)

Size	A	B	C	D	E	F	G	H	I	Num of Bolt Holes
12	12.00	15.00	17.75	20.50	2.00	1.25	19.75	56.30	19.70	16
14	13.27	16.25	20.25	23.00	2.12	1.25	30.00	60.70	22.05	20
16	15.24	18.50	22.50	25.50	2.25	1.375	33.00	68.60	25.20	20
18	17.24	21.00	24.75	28.00	2.37	1.375	36.00	82.20	25.20	24
20	19.25	23.00	27.00	30.50	2.50	1.375	39.00	84.70	28.35	24
24	23.17	27.25	32.00	36.00	2.75	1.625	45.00	104.40	35.43	24



ASME Class 300 Flanged  
Cast Steel Gate Valve  
**Sharpe® Series 35314**



How to order Series 35314

Example:

8		35	-	3	1	4	
Size		Series		Class	Ends	Body Material	Suffixes & Options
2	12	35		3 300	1 Flange	4 ASTM A216 Cast WCB Carbon Steel	GO Gear Operator (POA 12" & Smaller)
2-½	14*		2 Butt-weld*				
3	16*						
4	18*						
6	20*						
8	24*						
10	-						

**Notes:**

\*POA.

Responsibility for proper selection, use and maintenance of any product remains solely with the purchaser and end user. We reserve the right to modify or improve the designs or specifications of any product at any time without notice.

ASME Class 600 Flanged  
Cast Steel Gate Valve  
**Sharpe® Series 35614**



**Design Features**

- Outside screw and yoke
- Bolted bonnet
- Flexible wedge, fully guided
- Integrated seats
- Rising stem and non-rising hand-wheel
- Available with gear operator
- Trim 8

**Applicable Standards**

- Gate valves: API 600
- Steel valves: ANSI B16.34
- Face to face: ANSI B16.10
- End flanges: NSI B16.5
- Butt-weld ends: ANSI B16.25
- Inspection and test: API 598
- Nace: MR-0175

**Technical Information**

Temperature °F	Working Pressure psi
-20 to 100	1480
200	1360
300	1310
400	1265
500	1205
600	1135
650	1100
700	1060
750	1015
800	825
850	640
900	460
950	275
1000	170



asc-es.com

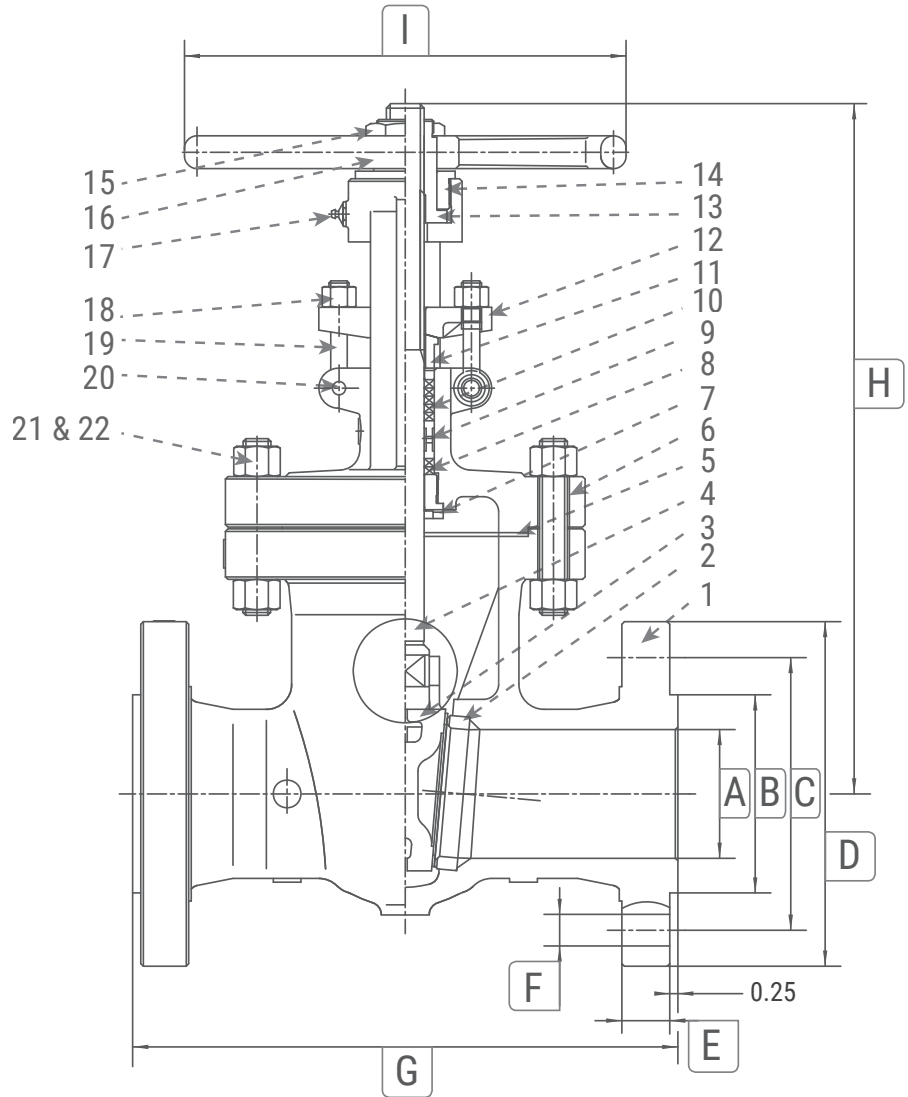
Building connections that last™



ASME Class 600 Flanged  
Cast Steel Gate Valve  
Sharpe® Series 35614

Parts & Materials (Sizes 2"–6")

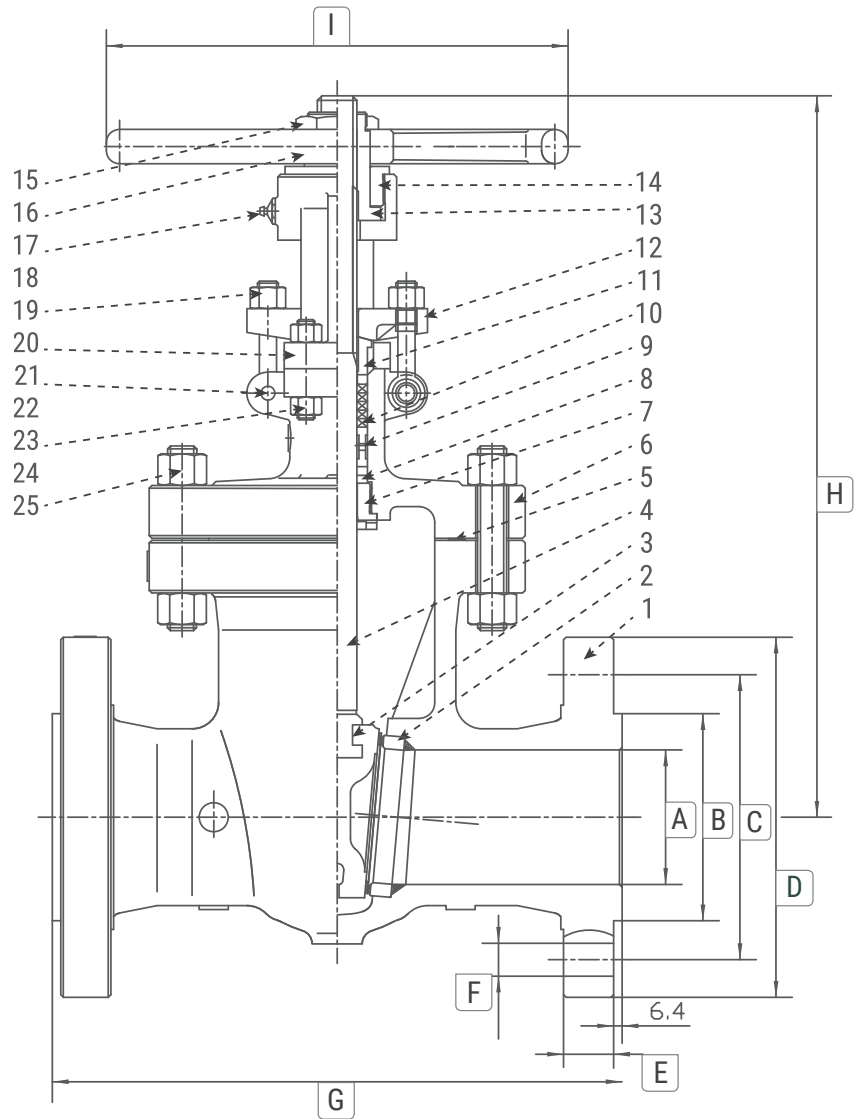
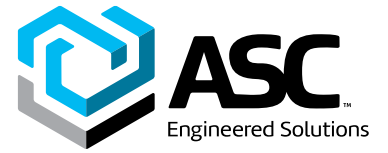
No.	Part Name	Material
1	Body	Carbon Steel ASTM A216 - WCB
2	Seat	A105 & STL.6
3	Wedge	A216 WCB & ER410
4	Stem	A182 - F6a
5	Gasket	304 Stainless Steel & Graphite
6	Bonnet	Carbon Steel ASTM A216 - WCB
7	Back Seat	410 Stainless Steel
8	Gland Packing	304 Stainless Steel & Graphite
9	Distance Ring	410 Stainless Steel
10	Gland Packing	Flexible Graphite
11	Gland	410 Stainless Steel
12	Gland Flange	Carbon Steel ASTM A216 - WCB
13	Stem Nut	A439-D2
14	Gland Nut	Carbon Steel
15	Lock Nut	Carbon Steel
16	Hand-wheel	Ductile Iron
17	Grease Nipple	Carbon Steel
18	Eye Nut	B7 Steel A193
19	Eye Bolt	2H Steel A194
20	Pin	Carbon Steel
21	Bolt	B7 Steel A193
22	Nut	2H Steel A194



Dimensions (Inches)

Size	A	B	C	D	E	F	G	H	I	Number of Bolts Holes
2	2.00	3.62	5.00	6.50	1.00	0.75	11.50	14.41	9.84	8
2-½	2.50	4.12	5.88	7.50	1.12	0.875	13.00	18.62	9.84	8
3	3.00	5.00	6.62	8.25	1.25	0.875	14.00	17.87	11.81	8
4	4.00	6.19	8.50	10.75	1.50	1.00	17.00	26.10	13.78	8
6	6.00	8.50	11.50	14.00	1.88	1.125	22.00	32.80	17.70	12

ASME Class 600 Flanged  
Cast Steel Gate Valve  
Sharpe® Series 35614



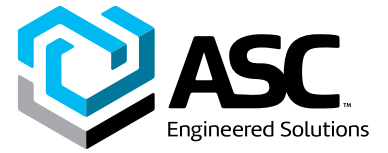
Parts & Materials (Sizes 18" – 24")

No.	Part Name	Material
1	Body	Carbon Steel ASTM A216 - WCB
2	Seat	A105 & STL.6
3	Wedge	A216 WCB & ER410
4	Stem	A182 - F6a
5	Gasket	304 Stainless Steel & Graphite
6	Bonnet	Carbon Steel ASTM A216 - WCB
7	Back Seat	410 Stainless Steel
8	Gland Packing	304 Stainless Steel & Graphite
9	Distance Ring	410 Stainless Steel
10	Gland Packing	Flexible Graphite
11	Gland	410 Stainless Steel
12	Gland Flange	Carbon Steel ASTM A216 - WCB
13	Stem Nut	A439-D2
14	Gland Nut	Carbon Steel
15	Lock Nut	Carbon Steel
16	Hand-wheel	Ductile Iron
17	Grease Nipple	Carbon Steel
18	Eye Nut	B7 Steel A193
19	Eye Bolt	2H Steel A194
20	Yoke	Carbon Steel ASTM A216 - WCB
21	Pin	Carbon Steel
22	Bolt	B7 Steel A193
23	Nut	2H Steel A194
24	Bolt	B7 Steel A193
25	Nut	2H Steel A194

Dimensions (Inches)

Size	A	B	C	D	E	F	G	H	I	Num of Bolt Holes
8	7.87	10.62	13.75	16.50	2.19	1.25	26.00	37.40	19.70	12
10	9.76	12.75	17.00	20.00	2.50	1.375	31.00	52.10	25.20	16
12	11.73	15.00	19.25	22.00	2.62	1.375	33.00	47.44	25.20	20
16	14.76	18.50	23.75	27.00	3.00	1.625	39.00	55.00	28.35	20
18	16.50	21.00	25.75	29.25	3.25	1.75	43.00	65.55	35.43	20
20	18.27	23.00	28.50	32.00	3.50	1.75	47.00	68.98	35.43	24
24	22.00	27.25	33.00	37.00	4.00	2.00	55.00	76.89	35.43	24

ASME Class 600 Flanged  
Cast Steel Gate Valve  
**Sharpe® Series 35614**



How to order Series 35614

Example:

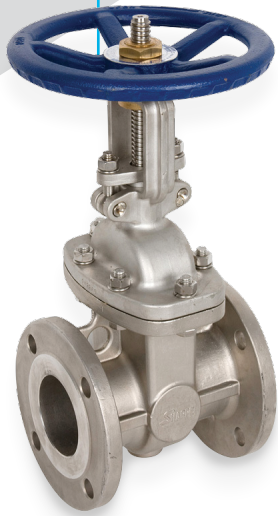
3		35	-	6	1	4	
Size		Series		Class	Ends	Body Material	Suffixes & Options
2	12*	35		6 600	1 Flange	4 ASTM A216 Cast WCB Carbon Steel	GO Gear Operator*
2-½	14*				2 Butt-weld*		
3	16*						
4	18*						
6	20*						
8*	24*						
10*	-						

**Notes:**

\*POA.

Responsibility for proper selection, use and maintenance of any product remains solely with the purchaser and end user. We reserve the right to modify or improve the designs or specifications of any product at any time without notice.

# ASME Class 150 Flanged Stainless Steel Gate Valve Sharpe® Series 35116



## Design Features

- Outside screw and yoke
- Bolted bonnet
- Flexible wedge, fully guided
- Integrated seats
- Rising stem and non-rising hand-wheel
- Available with gear operator

## Applicable Standards

- Gate valves: API 603
- Steel valves: ANSI B16.34
- Face to face: ANSI B16.10
- End flanges: ANSI B16.5
- Butt-weld ends: ANSI B16.25
- Inspection and test: API 598

## Technical Information

Temperature °F*	Working Pressure psi
-20 to 100	275
200	235
300	215
400	195
500	170
600	140
650	125
700	110
750	95
800	80
850	65
900	50
950	35
1000	20

\*Standard PTFE seals limited to 450°F, over 450°F use graphite.

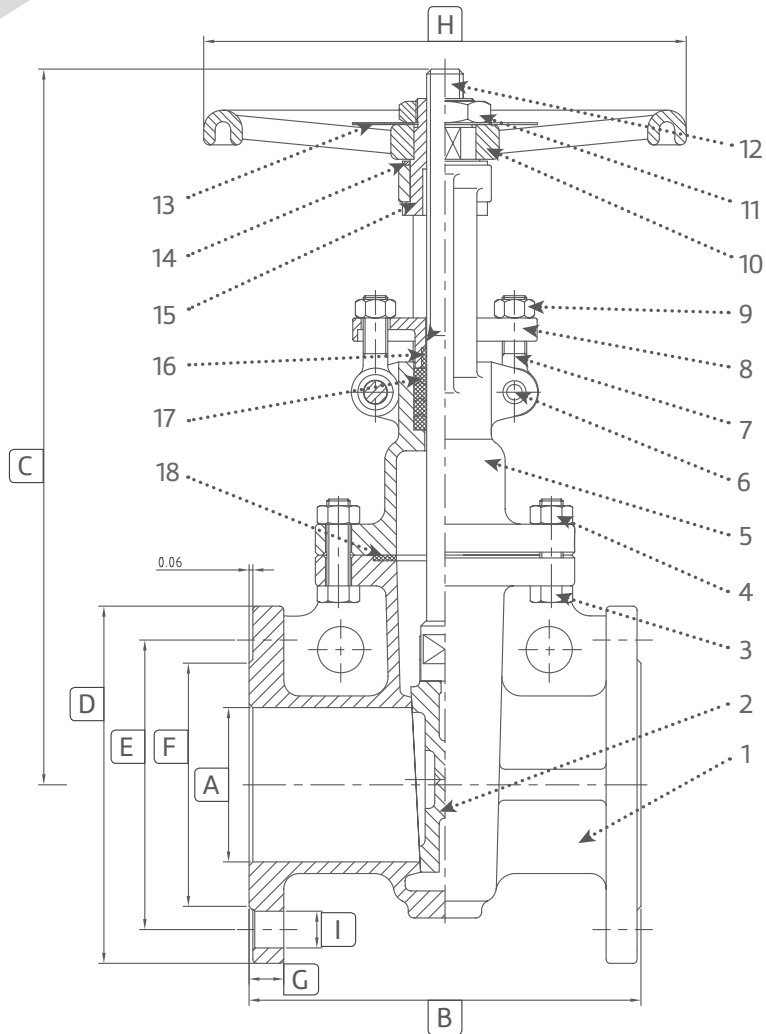
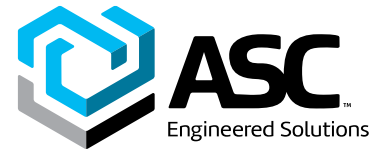


asc-es.com

Building connections that last™



# ASME Class 150 Flanged Stainless Steel Gate Valve Sharpe® Series 35116



## Parts & Materials (Sizes ½" – 12")

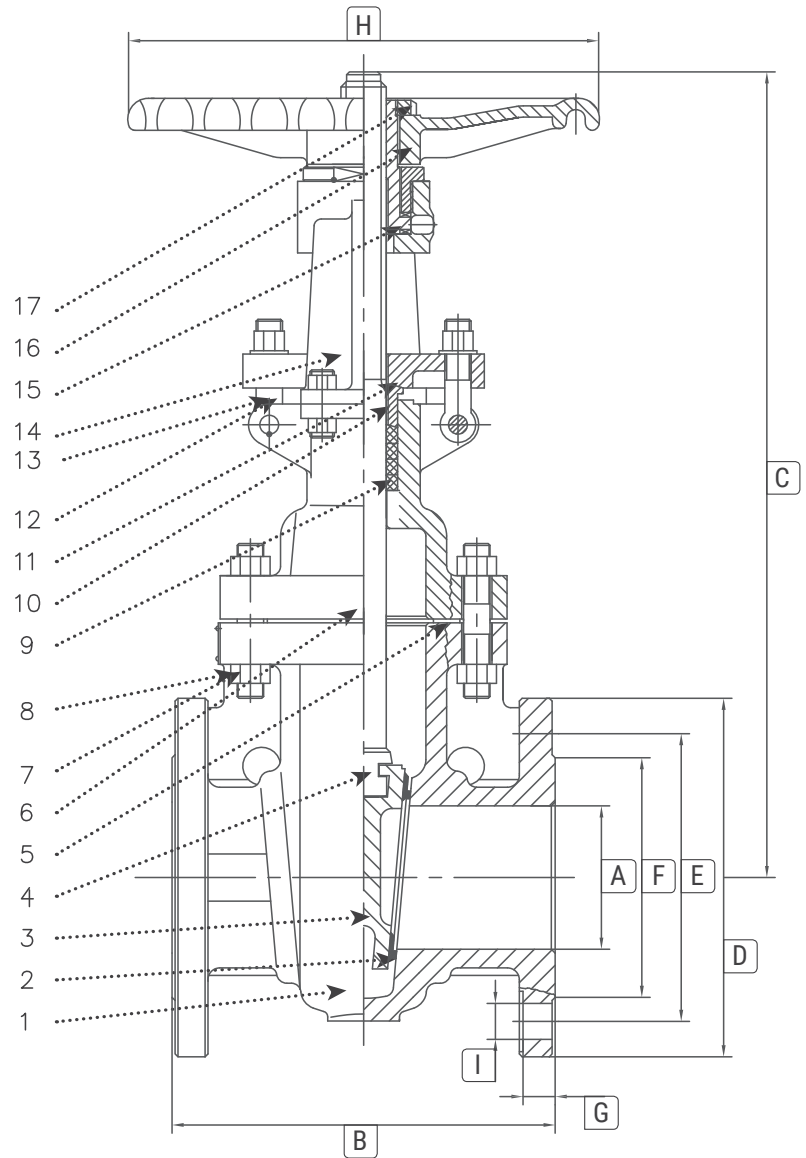
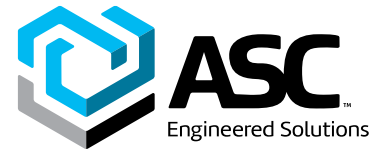
No.	Part Name	Material
1	Body	316 Stainless Steel ASTM A351 CF8M
2	Disc	316 Stainless Steel ASTM A351 CF8M
3	Bonnet Bolt	304 Stainless Steel
4	Bonnet Nut	304 Stainless Steel
5	Bonnet	316 Stainless Steel ASTM A351 CF8M
6	Hinge Pin	304 Stainless Steel
7	Eye Bolt	304 Stainless Steel
8	Gland	316 Stainless Steel ASTM A351 CF8M
9	Eye Nut	304 Stainless Steel
10	Hand Wheel	Ductile Iron
11	Nut	Brass
12	Stem	A182 - F316
13	Name Plate	304 Stainless Steel
14	Spring	Brass
15	Yoke Sleeve	Brass
16	Gland Packing	PTFE (Graphite *)
17	Packing	PTFE (Graphite *)
18	Gasket	RTFE (Grafoil + 300 series SS*)

## Dimensions (Inches)

Size	A	B	C	D	E	F	G	H	I	Num of Bolt Holes
½	0.59	4.25	7.50	3.50	2.38	1.38	0.44	4.72	0.62	4
¾	0.79	4.61	7.68	3.88	2.75	1.69	0.44	4.72	0.62	4
1	0.98	5.00	9.21	4.25	3.12	2.00	0.44	4.72	0.62	4
1-½	1.57	6.50	11.81	5.00	3.88	2.88	0.56	7.87	0.62	4
2	1.97	7.01	13.03	6.00	4.75	3.62	0.62	7.87	0.75	4
2-½	2.56	7.48	15.47	7.00	5.50	4.12	0.69	7.87	0.75	4
3	3.15	7.99	18.50	7.50	6.00	5.00	0.75	9.84	0.75	4
4	3.94	9.02	21.45	9.00	7.50	6.19	0.94	9.84	0.75	8
5	4.92	10.00	25.20	10.00	8.50	7.31	0.94	11.81	0.88	8
6	5.91	10.51	29.13	11.00	9.50	8.50	1.00	11.81	0.88	8
8	7.87	11.50	35.83	13.50	11.75	10.62	1.12	13.78	0.88	8
10	9.84	12.99	43.19	16.00	14.25	12.75	1.19	15.75	1.00	12
12	11.81	14.02	50.59	19.00	17.00	15.00	1.25	15.75	1.00	12

\*Optional

ASME Class 150 Flanged  
Stainless Steel Gate Valve  
Sharpe® Series 35116



**Parts & Materials** (Sizes 14" – 24")

No.	Part Name	Material
1	Body	316 Stainless Steel ASTM A351 CF8M
2	Seal Face	316 Stainless Steel
3	Wedge	316 Stainless Steel ASTM A351 CF8M
4	Stem	ASTM A182 F316
5	Gasket	Graphite + 300 series stainless
6	Bonnet	316 Stainless Steel ASTM A351 CF8M
7	Bonnet Bolt	B8M A193
8	Bonnet Nut	8M A194
9	Stem Packing	Graphite
10	Gland	ASTM A182 F316
11	Gland Flange	CF8M A351
12	Gland Eyebolt	B8M A193
13	Gland Nut	8M A194
14	Yoke	316 Stainless Steel ASTM A351 CF8M
15	Stem Nut	Steel
16	Hand Wheel	Ductile Iron
17	Lock Nut	ANSI 1020

**Dimensions** (Inches)

Size	A	B	C	D	E	F	G	H	I	Num of Bolt Holes
14	13.27	15.00	59.65	21.00	18.75	18.75	1.38	19.69	1.125	12
16	15.24	16.00	67.76	23.50	21.25	21.25	1.44	19.69	1.125	16
18	17.24	17.00	74.92	25.00	22.75	22.75	1.56	23.62	1.125	16
20	19.25	18.00	82.83	27.50	25.00	25.00	1.69	23.62	1.125	20
24	23.27	20.00	99.02	32.00	29.50	29.50	1.88	27.56	1.125	20



ASME Class 150 Flanged  
Stainless Steel Gate Valve  
Sharpe® Series 35116



How to order Series 35116

Example:

8		35	-	1	1	6	Suffixes & Options	
Size		Series		Class	Ends	Body Material		
½	6	35		1 150	1 Flange	6 ASTM A351 Cast CF8M SS †	GO	Gear Operator*
¾	8		2	Butt-weld*	† Closest cast equivalent to wrought 316 SS.		G	Graphite stem packing & Grafoil Stainless steel bonnet gasket* (½" - 12")
1	10							
1-½	12							
2	14*							
2-½	16*							
3	18*							
4	20*							
5	24*							

**Notes:**

\*POA.

Responsibility for proper selection, use and maintenance of any product remains solely with the purchaser and end user.  
We reserve the right to modify or improve the designs or specifications of any product at any time without notice.

ASME Class 300 Flanged  
Stainless Steel Gate Valve  
Sharpe® Series 35316



**Features**

- Outside screw and yoke
- Bolted bonnet
- Flexible wedge, fully guided
- Integrated seats
- Rising stem and non-rising hand-wheel
- Available with gear operator

**Applicable Standards**

- Gate valves: API 603
- Steel valves: ANSI B16.34
- Face to face: ANSI B16.10
- End flanges: ANSI B16.5
- Butt-weld ends: ANSI B16.25
- Inspection and test: API 598

**Technical Information**

Temperature °F*	Working Pressure psi
-20 to 100	720
200	620
300	560
400	515
500	480
600	450
650	440
700	435
750	425
800	420
850	420
900	415
950	385
1000	365

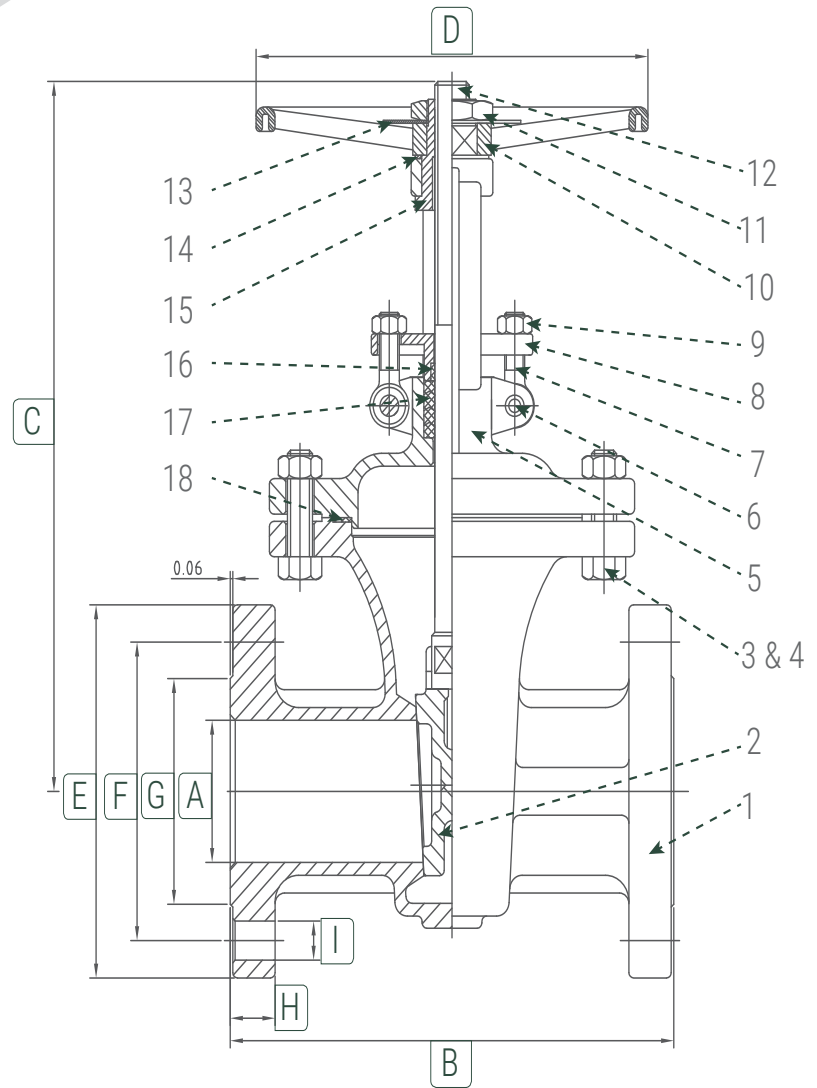
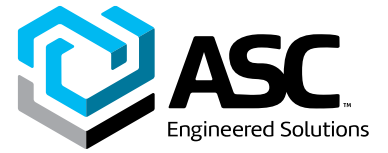
\*Standard PTFE seals limited to 450°F, over 450°F use graphite.



asc-es.com

Building connections that last™

# ASME Class 300 Flanged Stainless Steel Gate Valve Sharpe® Series 35316



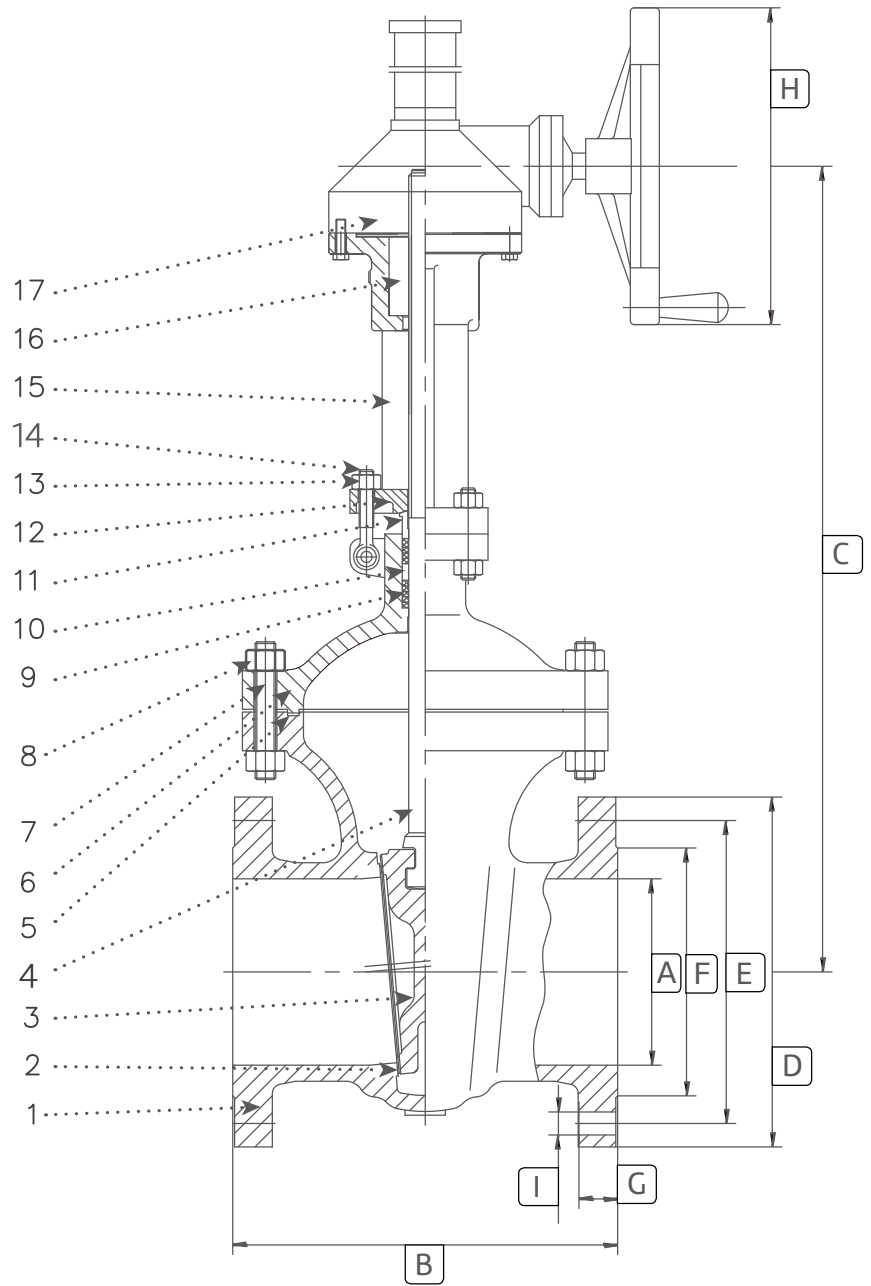
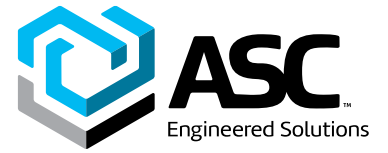
## Parts & Materials (Sizes ½" – 12")

No.	Part Name	Material
1	Body	316 Stainless Steel ASTM A351 CF8M
2	Disc	316 Stainless Steel ASTM A351 CF8M
3	Bonnet Bolt	304 Stainless Steel
4	Bonnet Nut	304 Stainless Steel
5	Bonnet	316 Stainless Steel ASTM A351 CF8M
6	Hinge Pin	304 Stainless Steel
7	Eye Bolt	304 Stainless Steel
8	Gland	316 Stainless Steel
9	Eye Nut	304 Stainless Steel
10	Hand Wheel	Ductile Iron
11	Nut	Brass
12	Stem	316 Stainless Steel
13	Name Plate	304 Stainless Steel
14	Spring	Brass
15	Yoke Sleeve	Brass
16	Gland Packing	PTFE (Graphite Optional)
17	Packing	PTFE (Graphite Optional)
18	Gasket	Graphite + 300 series Stainless
19	Spring Washers	300 Series Stainless Steel

## Dimensions (Inches)

Size	A	B	C	D	E	F	G	H	I	Num of Bolt Holes
½	0.59	5.51	9.29	4.72	3.74	2.62	1.38	0.56	0.625	4
¾	0.79	5.98	9.29	4.72	4.62	3.25	1.69	0.62	0.75	4
1	0.98	6.50	9.29	4.72	4.88	3.50	2.01	0.69	0.75	4
1-½	1.57	7.48	13.98	9.84	6.12	4.51	2.88	0.81	0.875	4
2	1.97	8.50	15.70	9.84	6.50	5.00	3.62	0.88	.75	8
2-½	2.56	9.49	17.87	9.84	7.50	5.88	4.12	1.00	0.88	8
3	3.15	11.14	19.69	9.84	8.25	6.62	5	1.12	0.88	8
4	3.94	12.00	23.98	11.81	10.00	7.88	6.18	1.25	0.88	8
6	5.91	15.87	31.18	13.78	12.50	10.62	8.50	1.44	0.88	12
8	7.88	16.49	39.29	15.75	15.00	13.00	10.62	1.62	1.00	12
10	9.84	17.99	49.49	19.68	17.50	15.25	12.75	1.88	1.12	16
12	11.81	19.76	59.33	19.68	20.50	17.75	15	2.00	1.25	16

# ASME Class 300 Flanged Stainless Steel Gate Valve Sharpe® Series 35316



## Parts & Materials (Sizes 14" – 24")

No.	Part Name	Material
1	Body	316 Stainless Steel ASTM A351 CF8M
2	Seal Face	316 Stainless Steel
3	Wedge	316 Stainless Steel ASTM A351 CF8M
4	Stem	A182 F316
5	Gasket	Graphite + 300 series Stainless
6	Bonnet	316 Stainless Steel ASTM A351 CF8M
7	Bonnet Bolt	B8M A193
8	Bonnet Nut	8M A194
9	Stem Packing	Graphite
10	Gland	A182 F316
11	Gland Flange	CF8M A351
12	Gland Eyebolt	B8M A193
13	Gland Nut	8M A194
14	Yoke	316 Stainless Steel ASTM A351 CF8M
15	Stem Nut	Steel
16	Hand Wheel	Ductile Iron
17	Lock Nut	ANSI 1020

## Dimensions (Inches)

Size	A	B	C	D	E	F	G	H	I	Num of Bolt Holes
14	13.27	30.00	47.36	23.00	20.25	16.25	2.12	18.11	1-¼	20
16	15.24	33.00	54.88	25.50	22.50	18.50	2.25	18.11	1-¾	20
18	17.01	36.00	58.94	28.00	24.75	20.98	2.38	18.11	1-¾	24
20	19.02	39.00	64.65	30.50	27.00	22.99	2.50	23.62	1-¾	24
24	22.99	45.00	77.80	36.00	32.00	27.24	2.75	23.62	1-¾	24

ASME Class 300 Flanged  
Stainless Steel Gate Valve  
Sharpe® Series 35316



How to order Series 35316

Example:

3		35	-	3	1	6		
Size		Series		Class	Ends	Body Material	Suffixes & Options	
½	8*	35		3 300	1 Flange	6 ASTM A351 Cast CF8M SS †	G0	Gear Operator*
¾	10*		2 Butt-weld*					
1	12*							
1-½	14*							
2	16*							
2-½	18*							
3	20*							
4	24*					G	Graphite Packing* (½" - 12")	
6	-							

† Closest cast equivalent to wrought 316 SS.

**Notes:**

\*POA.

Responsibility for proper selection, use and maintenance of any product remains solely with the purchaser and end user. We reserve the right to modify or improve the designs or specifications of any product at any time without notice.

### **About ASC Engineered Solutions**

ASC Engineered Solutions is defined by quality—in its products, services and support. With more than 1,400 employees, the company's portfolio of precision-engineered piping support, valves and connections provides products to more than 4,000 customers across industries, such as mechanical, industrial, fire protection, oil and gas, and commercial and residential construction. Its portfolio of leading brands includes ABZ Valve®, AFCON®, Anvil®, Anvil EPS, Anvil Services, Basic-PSA, Beck®, Catawissa, Cooplet®, FlexHead®, FPPI®, Grevlok®, J.B. Smith, Merit®, North Alabama Pipe, Quadrant®, SCI®, Sharpe®, SlideLOK®, SPF® and SprinkFLEX®. With headquarters in Commerce, CA, and Exeter, NH, ASC also has ISO 9001:2015 certified production facilities in PA, TN, IL, TX, AL, LA, KS, and RI.



[asc-es.com](http://asc-es.com)

Building connections that last™

FC-DS-Series-35-v02 20221024

