

Building connections that last™



Series 3483

Forged Gate Valve Datasheet



Forged Gate Valve Series 3483



Design Features

- Class 800
- Socket weld ends forged steel or 316L stainless steel
- Threaded ends forged steel or 316L stainless steel
- Bolted bonnet
- Rising stem
- NACE MR-0175

Applicable Standards

- Basic Design: API 602 (9th Edition)
- Socket Weld: ANSI 16.11
- Threaded: ANSI B1.20.1
- Test: API 598

Technical Information

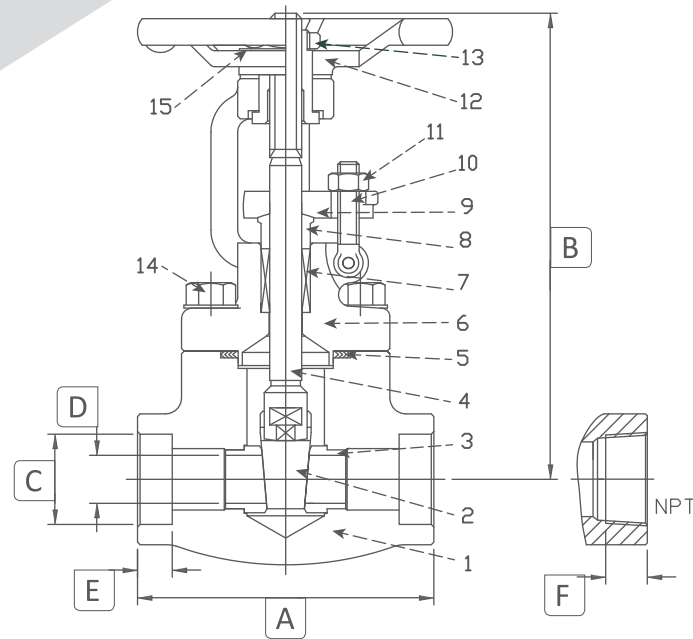
Size	C _v	Weight (Lbs.)	Temperature °F	316L Pressure psi	Forged Steel Pressure psi
¼	3	4.5	-20 to 100	1600	1975
⅜	5	4.6	200	1365	1810
½	7	4.4	300	1215	1745
¾	14	4.9	400	1120	1690
1	30	7.8	500	1050	1610
1-¼	85	11.8	600	990	1515
1-½	100	13.5	650	975	1465
2	160	21.0	700	960	1415
			750	940	1350
			800	920	1100
			850	900	-



asc-es.com

Building connections that last™

Forged Gate Valve Series 3483



Parts & Materials

No.	Part Name	Qty.	Material
1	Body	1	316L Stainless Steel ASTM A182 or Forged Steel ASTM A105N
2	Disc	1	316 Stainless Steel or 410 Stainless Steel*
3	Seat Ring	2	316 Stainless Steel or 410 Stainless Steel*
3a	Seat	1	Stellite
4	Stem	1	316 Stainless Steel or 410 Stainless Steel*
5	Gasket	1	316 + Graphite or 304 + Graphite*
6	Bonnet	1	316L Stainless Steel or Carbon Steel ASTM A105N*
7	Packing	1	Graphite
8	Packing Flange	1	316 Stainless Steel or 410 Stainless Steel*
9	Gland Flange	1	304 Stainless Steel or Carbon Steel ASTM A105N*
10	Gland Studs	2	B8M Steel or 410 Stainless Steel*
11	Gland Nut	2	Gr8M Steel or B7M*
12	Hand Wheel	1	Carbon Steel
13	Hand Wheel Nut	1	Carbon Steel
14	Body Bolt	1	B8M Steel or B7M Steel ASTM A193*
15	Name Plate	1	Aluminum

Note:

*Used on Carbon Steel Valves

Dimensions (Inches)

Size	A	B	C	D	E	F
¼	3.11	5.90	0.56	0.24	0.39	0.40
⅜	3.11	6.10	0.69	0.28	0.39	0.43
½	3.11	6.30	0.85	0.39	0.39	0.54
¾	3.58	6.30	1.07	0.51	0.51	0.55
1	4.37	7.20	1.33	0.71	0.51	0.69
1-¼	4.72	9.06	1.68	0.94	0.51	0.71
1-½	4.72	9.50	1.92	1.14	0.51	0.72
2	5.51	11.14	2.41	1.44	0.63	0.76

Note:

Due to continuous development of our product range, we reserve the right to change the dimensions and information for this product as required.

Forged Gate Valve Series 3483



How to order Series 3483

1 **3483** - **6** - **TE** = **1** **3483** - **6** - **TE**

Size Series Body Ends Size Series Body Ends

Size	Series	Body	Ends
¼	3483	4 Forged Steel (Trim 8)	TE Threaded
⅜		6 Stainless Steel (Trim 12)	SW Socket Weld
½			
¾			
1			
1-¼			
1-½			
2			

About ASC Engineered Solutions

ASC Engineered Solutions is defined by quality—in its products, services and support. With more than 1,400 employees, the company's portfolio of precision-engineered piping support, valves and connections provides products to more than 4,000 customers across industries, such as mechanical, industrial, fire protection, oil and gas, and commercial and residential construction. Its portfolio of leading brands includes ABZ Valve®, AFCON®, Anvil®, Anvil EPS, Anvil Services, Basic-PSA, Beck®, Catawissa, Cooplet®, FlexHead®, FPPI®, Gruklok®, J.B. Smith, Merit®, North Alabama Pipe, Quadrant®, SCI®, Sharpe®, SlideLOK®, SPF® and SprinkFLEX®. With headquarters in Commerce, CA, and Exeter, NH, ASC also has ISO 9001:2015 certified production facilities in PA, TN, IL, TX, AL, LA, KS, and RI.



asc-es.com

Building connections that last™

FC-DS-SERIES-3483-v01 20210810

