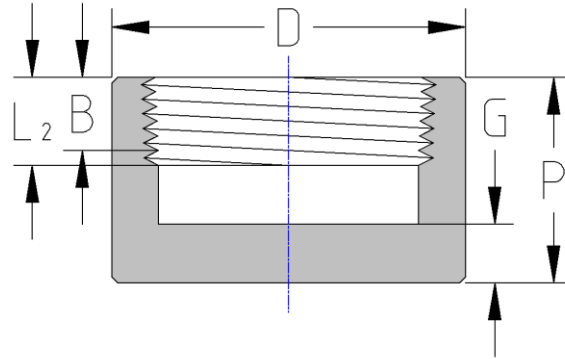




Threaded Cap
6000# Forged Steel
Inches / Pounds



Nominal Pipe size	D	P	G	B	L2	Approximate Weight (in Pounds)
1/4	1.00	1.06	0.25	0.32	0.4018	0.11
3/8	1.25	1.06	0.25	0.36	0.4078	0.17
1/2	1.50	1.31	0.31	0.43	0.5337	0.24
3/4	1.75	1.50	0.31	0.50	0.5457	0.40
1	2.25	1.69	0.44	0.58	0.6828	0.64
1 1/4	2.50	1.81	0.44	0.67	0.7068	0.95
1 1/2	3.00	1.88	0.50	0.70	0.7235	1.24
2	3.62	2.00	0.62	0.75	0.7565	1.74

***ASME B16.11**

****Dimension B is minimum length of perfect thread. The length of useful thread (B plus threads with fully formed roots and flat crests) shall not be less than L₂ (effective length of external thread) required by ASME B1.20.1**