



2-PC. FLANGED END BALL VALVE

SM2530CFF

FEATURES

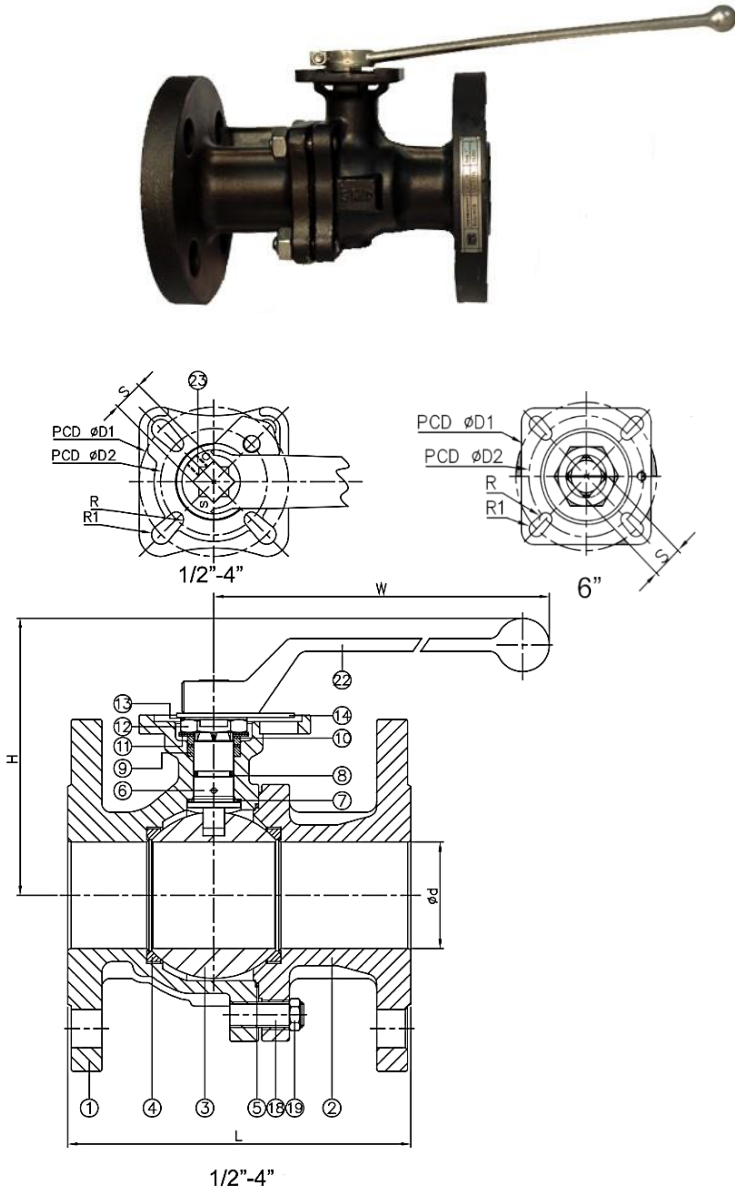
- Full Port 1/2" through 6"
- Working Pressure Class 300
- Working Temperature -4° F through 392°F
- Blow-out Proof Stem
- Live-loading Design
- Anti-Static Device
- Locking Device

SPECIFICATIONS

- ISO 5211 Direct Mounting Pad
- API 607 Fire Safe Approved up to 6"

Materials of Construction

Item	Part	Material Spec	
1	Body	ASTM A216-WCB	
2	Cap		
3	Ball	1/2"-4" Solid: ASTM A351-CF8M	6" Hollow: ASTM A240-316
		4	Seat
5	Seal	Graphite	
6	Stem	ASTM A276-316	
7	Thrust Washer	CTFE	
8	O-Ring	Viton	
9	Packing	Graphite	
10	Gland Ring	AISI 304	
11	Belleville Washer	AISI 301	
12	Stem Nut	AISI 304	
13	Locking Washer		
14	Flat Washer		
15	Handle Head		
16	Stop Pin		
17	Bolt		
18	Stud		
19	Nut		
20	Steel Tube		
21	Handle Sleeve		
22	Handle	AISI 301	
23	Socket Set Screw		



Dimensions (Inches)

NPS	d	L	H	W	D1	D2	R	R1	S	Torque (in-lb)
1/2"	0.59	5.51	3.33	7.78	1.65	1.42	0.11	0.11	0.35	46.00
3/4"	0.79	5.98	3.72	7.78	1.65	1.42	0.11	0.11	0.35	70.80
1"	0.94	6.50	3.92	7.78	1.97	1.65	0.11	0.14	0.43	110.60
1-1/4"	1.18	7.01	4.13	7.78	1.97	1.65	0.11	0.14	0.43	106.20
1-1/2"	1.50	7.48	4.90	9.74	2.76	1.97	0.14	0.18	0.55	216.80
2"	1.97	8.50	5.08	9.74	2.76	1.97	0.14	0.18	0.55	283.20
2-1/2"	2.52	9.49	6.08	13.39	4.02	2.76	0.18	0.22	0.67	336.30
3"	2.99	11.10	6.52	13.39	4.02	2.76	0.18	0.22	0.67	398.30
4"	3.86	12.01	7.40	13.39	4.92	4.02	0.22	0.26	0.87	486.80
5"	4.92	-	-	-	4.92	4.02	0.22	0.26	1.06	1,416.10
6"	5.91	15.87	9.96	29.25	4.92	4.02	0.22	0.26	1.06	2,212.70



SERVICE METAL
Trust In Every Connection

St. Louis Charlotte Houston



servicemetal.net

800-325-7820

PRESSURE-TEMPERATURE RATING

TEMPERATURE °C

