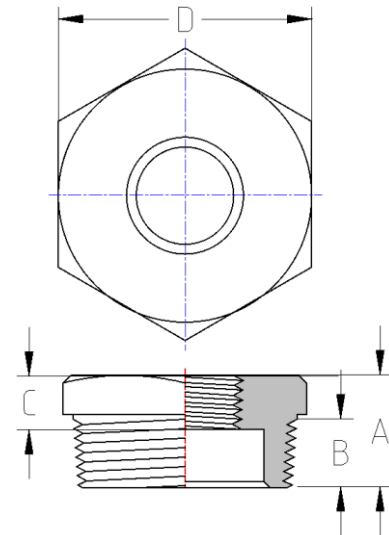




Threaded Hex Bushing  
Std Pattern  
**150# Cast Stainless Steel**  
Inches / Pounds



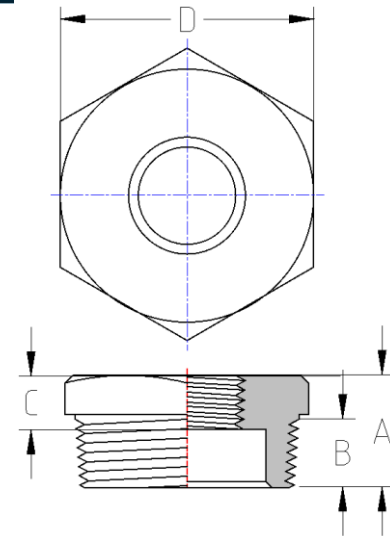
Nominal Pipe Size	Head Shape (# Flats)	Overall Length (A)	External Thread Length Min. (B)	Internal Thread Length Min. (C)	Nominal Width Across Flats (D)	Approx. Weight (in Pounds)
1/4" X 1/8"	6	0.88	0.67	0.33	0.68	0.03
3/8" X 1/8"	6	0.91	0.69	0.33	0.87	0.06
3/8" X 1/4"	6	0.91	0.69	0.45	0.83	0.06
1/2" X 1/8"	6	0.98	0.79	0.33	1.00	0.09
1/2" X 1/4"	6	0.98	0.79	0.35	1.00	0.09
1/2" X 3/8"	6	0.98	0.79	0.45	1.00	0.08
3/4" X 1/8"	6	1.01	0.79	0.35	1.22	0.16
3/4" X 1/4"	6	1.01	0.79	0.35	1.20	0.15
3/4" X 3/8"	6	1.01	0.79	0.39	1.24	0.15
3/4" X 1/2"	6	1.01	0.79	0.53	1.24	0.13
1" X 1/8"	6	1.28	1.02	0.35	1.22	0.25
1" X 1/4"	6	1.28	1.00	0.35	1.50	0.25
1" X 3/8"	6	1.28	1.00	0.37	1.50	0.24
1" X 1/2"	6	1.28	1.00	0.39	1.50	0.22
1" X 3/4"	6	1.28	1.00	0.43	1.50	0.20
1-1/4" X 1/8"	6	1.32	1.00	0.30	1.79	0.34
1-1/4" X 1/4"	6	1.30	1.00	0.39	1.79	0.36
1-1/4" X 3/8"	6	1.32	1.00	0.37	1.79	0.35
1-1/4" X 1/2"	6	1.32	1.00	0.43	1.79	0.34
1-1/4" X 3/4"	6	1.30	1.00	0.43	1.79	0.31
1-1/4" X 1"	6	1.30	1.00	0.61	1.79	0.28

**\*The material composition and quality comply with ASTM A351/A351M "Standard Specification for Castings, Austenitic, for Pressure-Containing Parts"**

**\*NPT Threads on all fittings conform to ASME B1.20.1**



Threaded Hex Bushing  
Std Pattern  
**150# Cast Stainless Steel**  
Inches / Pounds



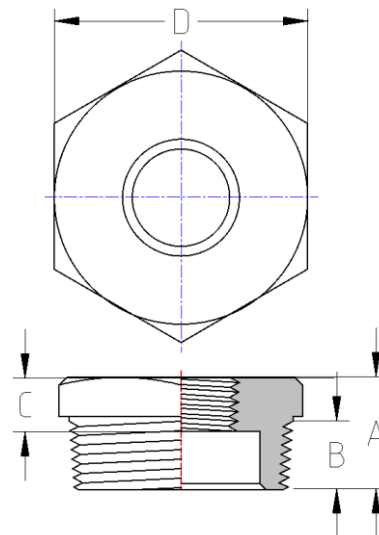
Nominal Pipe Size	Head Shape (# Flats)	Overall Length (A)	External Thread Length Min. (B)	Internal Thread Length Min. (C)	Nominal Width Across Flats (D)	Approx. Weight (in Pounds)
1-1/2" X 1/4"	6	1.34	1.00	0.37	2.04	0.52
1-1/2" X 3/8"	6	1.38	1.00	0.39	2.04	0.51
1-1/2" X 1/2"	6	1.38	1.00	0.45	2.04	0.51
1-1/2" X 3/4"	6	1.38	1.00	0.41	2.04	0.49
1-1/2" X 1"	6	1.36	0.98	0.55	2.04	0.45
1-1/2" X 1-1/4"	6	1.38	1.00	0.65	2.04	0.34
2" X 3/8"	6	1.40	0.96	0.39	2.46	0.79
2" X 1/2"	6	1.40	0.98	0.43	2.46	0.77
2" X 3/4"	6	1.40	1.00	0.47	2.46	0.75
2" X 1"	6	1.40	1.00	0.55	2.46	0.77
2" X 1-1/4"	6	1.40	0.98	0.63	2.46	0.72
2" X 1-1/2"	6	1.40	0.98	0.69	2.46	0.6
2-1/2" X 1/2"	8	1.91	1.46	0.41	3.17	1.26
2-1/2" X 3/4"	8	1.91	1.46	0.45	3.17	1.32
2-1/2" X 1"	8	1.91	1.46	0.59	3.15	1.33
2-1/2" X 1-1/4"	8	1.91	1.48	0.71	3.15	1.41
2-1/2" X 1-1/2"	8	1.87	1.46	0.61	3.15	1.19
2-1/2" X 2"	8	1.91	1.46	0.69	3.15	0.99

**\*The material composition and quality comply with ASTM A351/A351M "Standard Specification for Castings, Austenitic, for Pressure-Containing Parts"**

**\*NPT Threads on all fittings conform to ASME B1.20.1**



Threaded Hex Bushing  
Std Pattern  
**150# Cast Stainless Steel**  
Inches / Pounds



Nominal Pipe Size	Head Shape (# Flats)	Overall Length (A)	External Thread Length Min. (B)	Internal Thread Length Min. (C)	Nominal Width Across Flats (D)	Approx. Weight (in Pounds)
3" X 1"	8	1.91	1.46	0.55	3.72	2.2
3" X 1-1/4"	8	1.95	1.46	0.63	3.72	2.2
3" X 1-1/2"	8	1.91	1.46	0.67	3.76	2.1
3" X 2"	8	1.91	1.46	0.71	3.76	1.9
3" X 2-1/2"	8	1.93	1.44	0.87	3.74	1.6
4" X 1-1/4"	8	2.00	1.46	0.61	4.74	3.5
4" X 1-1/2"	8	2.00	1.46	0.67	4.74	3.7
4" X 2"	8	2.00	1.46	0.71	4.74	3.5
4" X 2-1/2"	8	2.00	1.46	0.85	4.74	3.4
4" X 3"	8	2.00	1.46	0.98	4.76	2.8

***\*The material composition and quality comply with ASTM A351/A351M "Standard Specification for Castings, Austenitic, for Pressure-Containing Parts"***

***\*NPT Threads on all fittings conform to ASME B1.20.1***