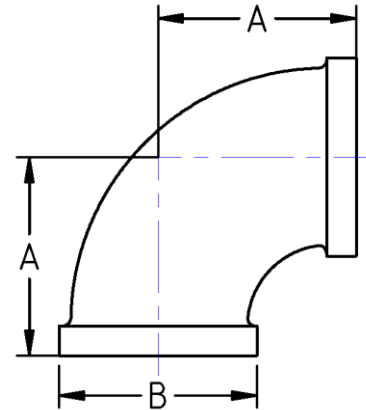




Threaded 90° Elbow  
Std Pattern  
**150# Cast Stainless Steel**  
Inches / Pounds



Nominal Pipe Size	Center to End (A)	Outside Diameter (B)	Approx. Weight (in Pounds)
1/8"	0.67	0.63	0.06
1/4"	0.75	0.75	0.08
3/8"	0.90	0.89	0.12
1/2"	1.12	1.11	0.19
3/4"	1.20	1.38	0.27
1"	1.44	1.69	0.51
1-1/4"	1.70	2.04	0.74
1-1/2"	1.89	2.32	1.04
2"	2.22	2.82	1.42
2-1/2"	2.64	3.55	3.1
3"	3.01	4.19	4.4
4"	3.73	5.27	6.8

***\*The material composition and quality comply with ASTM A351/A351M "Standard Specification for Castings, Austenitic, for Pressure-Containing Parts"***

***\*NPT Threads on all fittings conform to ASME B1.20.1***