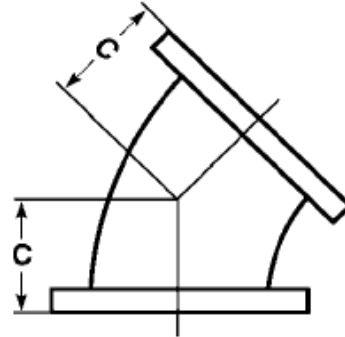




Flanged 45° Elbow
125# Cast Iron
150# Ductile Iron
Inches / Pounds



Size	C	Approximate Weight (in Pounds)
2	2.50	11
2 ½	3.00	17
3	3.00	22
4	4.00	35
5	4.50	45
6	5.00	57
8	5.50	88
10	6.50	145
12	7.50	220
14	7.50	240
16	8.00	300
18	8.50	350
20	9.50	450
24	11.00	650
30	15.00	1120

****Sizes up to 6" are Ductile Iron, Meet ASTM A395, ANSI/AWWA C110/A21.10, ANSI B16.42***

****Sizes 8" and Larger are Cast Iron, Meet ASTM A126, ANSI/AWWA C110/A21.10, ANSI B16.1***

****All Fittings are Asphalt Coated as Standard, Hot Dip Galvanizing Available***