



## 3-PC. SCREWED END BALL VALVE

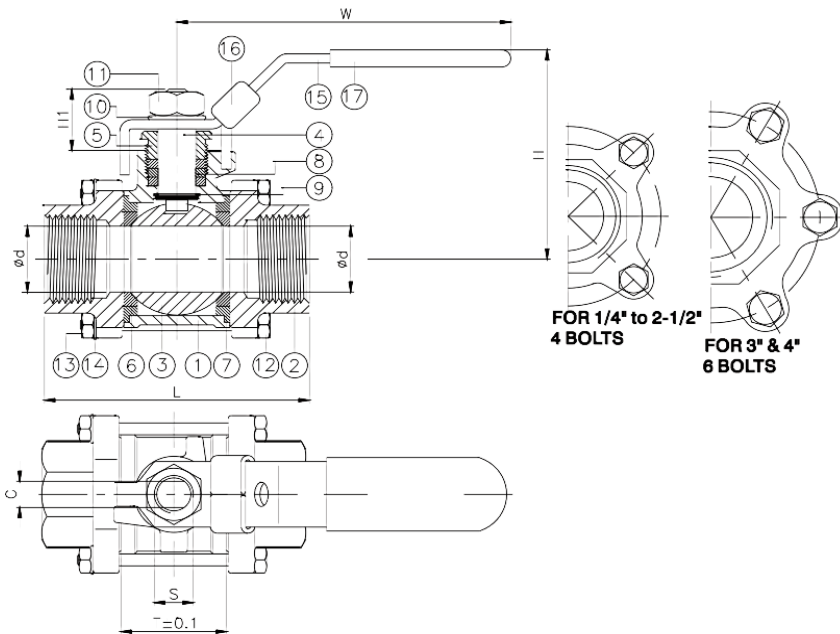
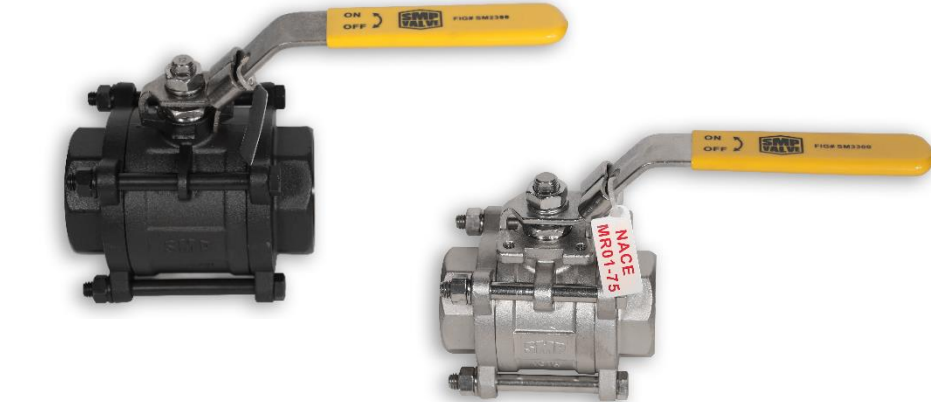
# SM2300CT/SM3300ST

### FEATURES

- Full Port 1/4" through 4"
- Working Pressure 1000 WOG
- Working Temperature -4° F through 392°F
- Blow-out Proof Stem
- Locking Device
- SM2300CT: A216-WCB • SM3300ST: A351-CF8M

### SPECIFICATIONS

- Thread Ends Conform to ASME/ANSI B1.20.1 (NPT)
- API-598
- NACE MR-0175 STANDARD



### Materials of Construction

Item	Part	Material Spec	
1	Body	ASTM A216-WCB	ASTM A351-CF8M
2	Cap		
3	Ball	ASTM A351-CF8M	
4	Stem	ASTM A276-316	
5	Seat	PTFE	
6	Seal		
7	Packing	AISI 304	
8	Thrust Washer		
9	Gland Nut	Stainless Steel	
10	Spring Washer		
11	Stem Nut	PVC	
12	Bolt		
13	Nut		
14	Spring Washer		
15	Handle		
16	Locking Device		
17	Handle Sleeve		

### Dimensions (Inches)

NPS	d1	L	H	H1	W	T	C	S	Torque (in-lb)	Weight (lb)
1/4"	0.46	2.56	2.30	0.71	3.94	0.85	0.20	3/8"-24UNF	31.00	0.80
3/8"	0.49	2.56	2.30	0.71	3.94	0.85	0.20	3/8"-24UNF	35.40	0.80
1/2"	0.59	2.56	2.44	0.73	3.94	0.94	0.20	3/8"-24UNF	48.70	1.10
3/4"	0.79	2.95	2.44	0.89	4.92	1.17	0.26	7/16"-20UNF	66.40	1.50
1"	0.98	3.35	3.03	0.98	5.87	1.35	0.31	7/16"-20UNF	97.40	2.20
1-1/4"	1.26	3.98	3.23	1.02	5.87	1.69	0.31	7/16"-20UNF	132.80	3.50
1-1/2"	1.50	4.41	3.94	1.18	7.48	2.01	0.39	1/2"-20UNF	177.00	5.50
2"	1.97	5.12	4.25	1.18	7.48	2.50	0.39	1/2"-20UNF	354.00	7.70
2-1/2"	2.48	6.38	5.39	1.57	9.84	3.20	0.47	3/4"-10UNC	531.00	14.80
3"	2.99	7.40	5.71	1.57	9.84	3.76	0.47	3/4"-10UNC	752.30	20.90
4"	3.78	8.82	7.05	2.13	12.72	5.00	0.63	1"-8UNC	1,327.60	42.10

The information presented on this sheet is correct at the time of publication. Service Metal reserves the right to change design, and/or material specifications without notice.

# PRESSURE-TEMPERATURE RATING

## TEMPERATURE °C

