



2-PC. SCREWED END BALL VALVE

SM2200CT/SM3200ST

FEATURES

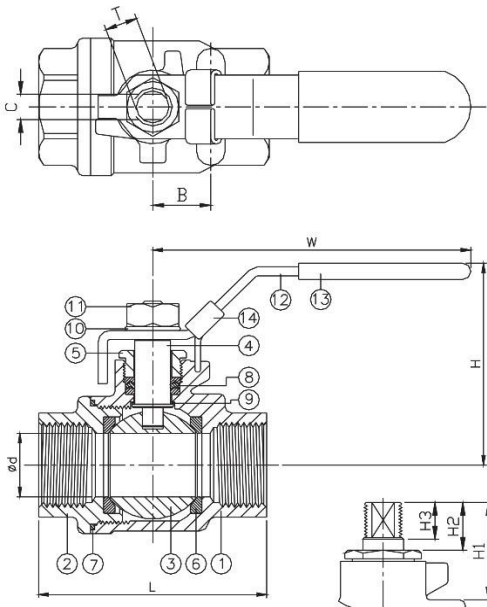
- Full Port
- Working Pressure:
 - 1/4" - 1" 2000 WOG
 - 1-1/4" - 2" 1500 WOG
 - 2-1/2" - 3" 1000 WOG
- Working Temperature: -4° F through 392°F
- Blow-out Proof Stem
- Locking Device
- Drilled and Tapped Mounting Pad
- SM2200CT: A216-WCB • SM3200ST: A351-CF8M

SPECIFICATIONS

- Thread Ends Conform to ASME/ANSI B1.20.1 (NPT)

Materials of Construction

Item	Part	Material Spec	
1	Body	ASTM A216-WCB	ASTM A351-CF8M
2	Cap		
3	Ball	ASTM A351-CF8M	
4	Stem	ASTM A276-316	
5	Gland Nut	AISI 304	
6	Seat	RTFE	
7	Seal	PTFE	
8	Packing	RTFE	
9	Thrust Washer	PTFE	
10	Spring Washer	AISI 304	
11	Nut		
12	Handle	Stainless Steel	
13	Handle Sleeve	PVC	
14	Locking Device	Stainless Steel	



Dimensions (Inches)

NPS	d	L	H	W	B	C	H1	H2	H3	T	Torque (in-lb)	Weight (lb)
1/4"	0.46	2.38	1.97	4.02	0.55	0.20	1.28	0.49	0.41	5/16"W	36.00	0.60
3/8"	0.51	2.38	1.97	4.02	0.55	0.20	1.28	0.49	0.41	5/16"W	36.00	0.60
1/2"	0.59	2.52	1.97	4.02	0.55	0.20	1.28	0.49	0.41	5/16"W	39.00	0.70
3/4"	0.79	3.03	2.44	4.72	0.87	0.26	1.59	0.63	0.53	3/8"W	52.00	1.20
1"	0.98	3.54	2.97	6.26	0.87	0.31	1.97	0.71	0.61	7/16"W	65.10	1.90
1-1/4"	1.26	3.94	3.19	6.26	0.94	0.31	1.93	0.67	0.61	7/16"W	78.10	2.80
1-1/2"	1.50	4.65	3.86	7.40	0.94	0.35	2.36	0.75	0.69	1/2"W	116.80	4.40
2"	1.97	5.43	4.25	7.40	0.94	0.35	2.44	0.79	0.69	1/2"W	143.40	6.90
2-1/2"	2.56	6.56	5.35	9.65	1.38	0.47	3.11	1.22	1.20	3/4"W	390.30	13.20
3"	3.15	7.60	5.79	9.65	1.38	0.47	3.09	1.22	1.20	3/4"W	412.40	22.30

The information presented on this sheet is correct at the time of publication. Service Metal reserves the right to change design, and/or material specifications without notice.



SERVICE METAL
Trust In Every Connection

St. Louis



Charlotte



Houston



servicemetal.net
800-325-7820

PRESSURE-TEMPERATURE RATING

TEMPERATURE °C

20 38 93 149 205 260 315

2200

2000

1800

1600

1500

1400

1000

800

600

400

200

0

-4

100

200

300

400

450

500

600

475

TEMPERATURE °F

138

120

100

80

60

40

20

0

PRESSURE (BAR)

1/4"~1"

1-1/4"~2"

2-1/2"~4"

PTFE

PTFE

TFM 1600

PRESSURE (PSI)