

Lead Free Brass Sillcock

Solder Connection • 125 WOG



S-641G

Features

- Manufactured in ISO-9001 facility
- 3/4" hose thread outlet
- Wetted surfaces contain less than .25% lead content

Approvals



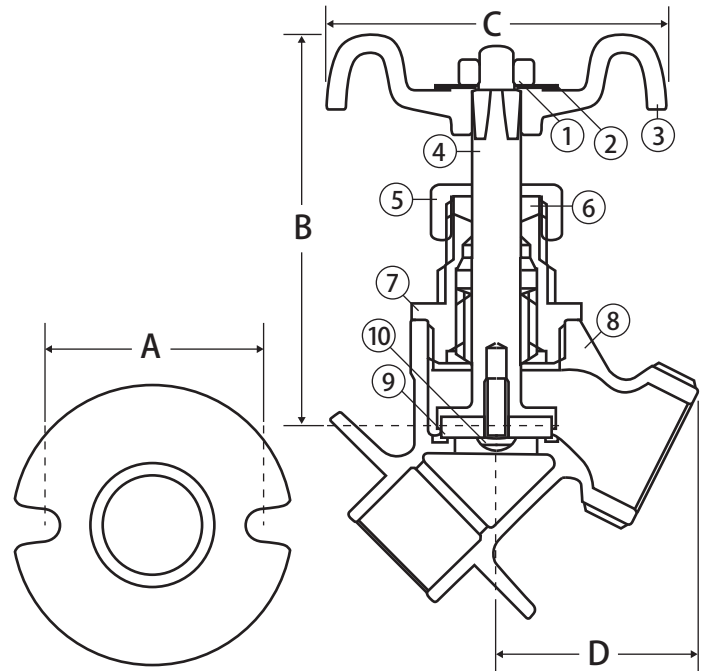
- Truesdail Certified NSF/ANSI/CAN 61 & 372
- Lead Free Compliant
- ASME/ANSI B16.18
- ANSI B1.20.7

Pressure Rating

- 125 WOG



WARNING: This product can expose you to chemicals including lead, which is known to the State of California to cause cancer, and lead, which is known to the State of California to cause birth defects or other reproductive harm. For more information go to www.P65Warnings.ca.gov.



Material Specifications

No.	Part	Materials
1	Handle Nut	Steel
2	Name Plate	Aluminum
3	Handle Wheel	Cast Iron
4	Stem	Lead Free Brass
5	Packing Nut	Lead Free Brass
6	Gland Packing	Buna-N
7	Bonnet	Lead Free Cast Brass
8	Body	Lead Free Cast Brass
9	Seat Packing	Buna-N
10	Seat Screw	Lead Free Brass

Dimensions

Part No.	Size	A	B	C	D
202-103G	1/2"	1.10	2.52	2.13	1.38
202-104G	3/4"	1.10	2.52	2.13	1.62