

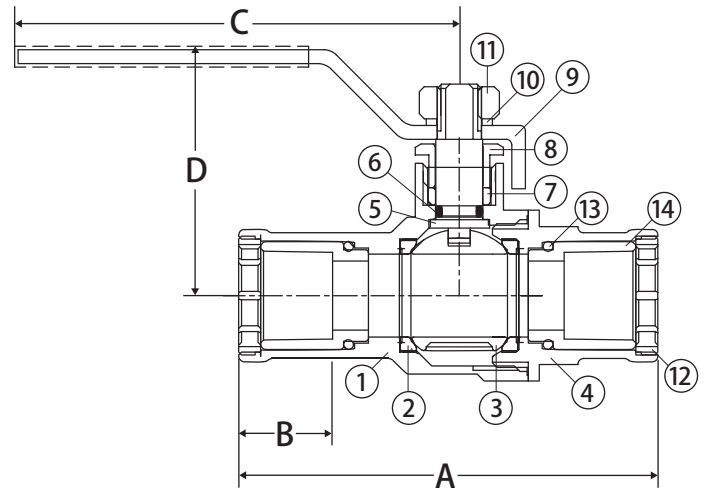
# Lead Free Brass Ball Valve



2 Piece • Full Port • CPVC Solvent Connection • 150 WOG



S-155G



### Features

- Durable brass body
- CTS connection
- For hot/cold water systems
- Quarter-turn operation
- Standard CPVC installation
- CPVC end connection inserts

### Approvals



- ANSI/NSF/CAN 61
- ANSI/NSF 372
- Conforms to ASTM D2846

### Pressure Rating

- 150 PSI at 73°F Continuous
- Temp range: 33°F to 180°F



**WARNING:** This product can expose you to chemicals including lead, which is known to the State of California to cause cancer, birth defects or other reproductive harm. For more information go to [www.P65Warnings.ca.gov](http://www.P65Warnings.ca.gov).

### Material Specifications

No.	Part	Materials
1	Body	Lead Free Brass - C46500
2	Seat	TFM 1700
3	Ball	Chrome Plated LF Brass - C46500
4	End Connection	Lead Free Brass - C46500
5	Stem	Brass
6	O-Ring	FPM
7	Packing	TFM 1700
8	Packing Nut	Brass
9	Handle	Steel
10	Lock Washer	Stainless Steel
11	Nut	304 Stainless Steel
12	Plug Cap	Lead Free Brass - C46500
13	O-Ring	EPDM
14	Connector	CPVC

### Dimensions

Part No.	Size	A	B	C	D
150-603G	1/2"	2.93	.67	3.68	1.98
150-604G	3/4"	3.56	.87	4.04	2.14
150-605G	1"	4.31	1.06	4.14	2.39