

Feature

- 125# WSP / 400# WOG
- Brass body
- Regular "L" port
- FNPT x FNPT x FNPT
- Threaded ends (ASME B1.20.1-NPT)
- Blow-out proof stem
- Double O-ring
- Mounting pad

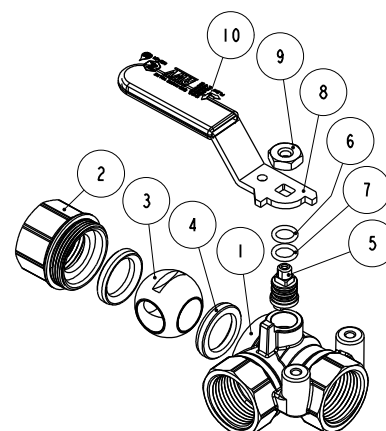
Meet BAA requirement



| Pressure/ Temperature rating | | |
|------------------------------|------------------------|--|
| 400 psi from 15 °F to 160 °F | 150 psi max. at 366 °F | |

Material

| | Part | Material | Specification |
|---|------------|------------------------|------------------|
| 1 | Body | Brass | ASTM B283 C37700 |
| 2 | End piece | Brass | ASTM B283 C37700 |
| 3 | Ball | Brass / Cr plated | ASTM B283 C37700 |
| 4 | Seat | PTFE | PTFE |
| 5 | Stem | Brass | ASTM B124 C37700 |
| 6 | O-ring | FKM | NSF approved |
| 7 | O-ring | NBR | NSF approved |
| 8 | Handle | Steel / Geomet® plated | A36 |
| 9 | Handle nut | Steel / Zn plated | A36 |
| 9 | Valve info | - | - |



Dimension, Cv, Weight

| Size | Φ | A | A1 | H | H1 | L | P | Wt. |
|--------|------------------|------|------|------|------|------|------|------|
| | | [in] | [in] | [in] | [in] | [in] | [in] | [lb] |
| 3/8" | 3/8 - 18 NPT | 1.93 | 0.96 | 1.36 | 0.59 | 3.19 | 0.39 | 0.30 |
| 1/2" | 1/2 - 14 NPT | 2.20 | 1.10 | 1.36 | 0.59 | 3.19 | 0.59 | 0.42 |
| 3/4" | 3/4 - 14 NPT | 2.68 | 1.34 | 1.87 | 0.72 | 3.60 | 0.79 | 0.70 |
| 1" | 1 - 11.5 NPT | 3.15 | 1.57 | 1.99 | 0.87 | 3.60 | 0.98 | 1.52 |
| 1 1/4" | 1 1/4 - 11.5 NPT | 3.58 | 1.79 | 2.13 | 1.05 | 4.98 | 1.26 | 1.90 |
| 1 1/2" | 1 1/2 - 11.5 NPT | 4.02 | 2.01 | 2.34 | 1.22 | 4.98 | 1.57 | 2.74 |
| 2" | 2 - 11.5 NPT | 4.72 | 2.48 | 2.89 | 1.77 | 5.57 | 1.97 | 4.60 |

