

Lead Free Brass Horizontal Check Valve



Press Connection • 200 WOG



P-501G

Features

- One-piece body design
- EPDM o-ring seal
- Heavy pattern cast brass construction
- Lead free dezincification resistant brass
- Metal to metal disc seal
- Wetted surfaces contain less than .25% lead content

Approvals

- Lead Free Compliant
- Conforms to IAPMO PS 117

Pressure Rating

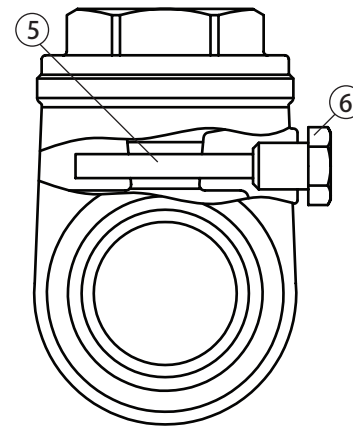
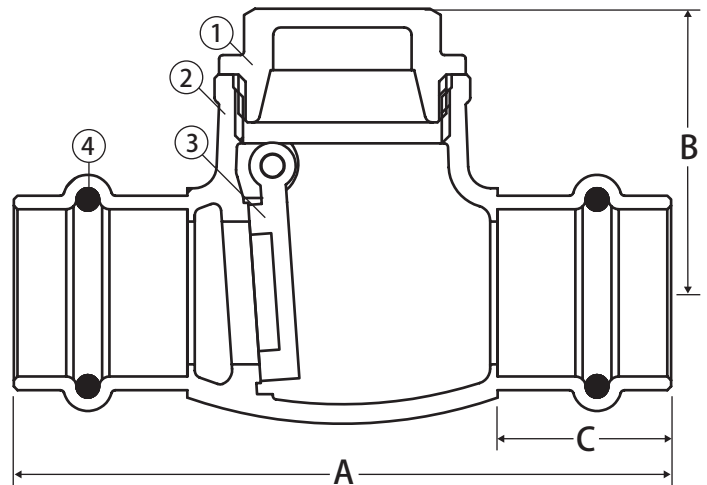
- 200 WOG

Install 5 pipe diameters minimum downstream from pump discharge or changes in direction to avoid flow turbulence. Flow straighteners may be required in extreme cases.

Note: On pump discharge, the preferred check valves are: inline, spring assisted, center-guided, lift checks.

Jomar Check Valves may be installed in both horizontal and vertical lines with upward flow or in an intermediate position. They will operate satisfactory in a declining plane (no more than 15°).

Warning: Do Not Use For Reciprocating Air Compressor Service



Material Specifications

No.	Part	Materials
1	Bonnet	Lead Free Brass - C87850
2	Body	Lead Free Brass - C87850
3	Disc	Lead Free Brass - C69300
4	O-ring	EPDM
5	Hinge Pin	Brass - C36000
6	Screw	Brass - C36000

Dimensions

Part No.	Size	A	B	C
105-003G	1/2"	2.99	1.40	0.80
105-004G	3/4"	3.50	1.59	0.91
105-005G	1"	3.74	1.73	0.94
105-006G	1-1/4"	4.69	1.99	0.98
105-007G	1-1/2"	5.79	2.27	1.36
105-008G	2"	6.69	2.70	1.56

WARNING: This product can expose you to chemicals including lead, which is known to the State of California to cause cancer, and lead, which is known to the State of California to cause birth defects or other reproductive harm. For more information go to www.P65Warnings.ca.gov.

