

200 PSI Butterfly Valves

Ductile Iron Body • Extended Neck • Geometric Drive • Molded-In Seat Liner
• Lug and Wafer Style

Sizes 2" through 12"

Install between Std. ASME Class 125/150 flanges.
Lug Style 200 PSI bi-directional dead end service rating without a downstream flange required.

THIRD PARTY CERTIFIED BY QAI TO MEET MSS SP-67 STANDARD •
U.S. COAST GUARD "CATEGORY A" • CERTIFIED LEAD-FREE* BY
TRUESDAIL LABS TO NSF/ANSI 61-8 COMMERCIAL HOT 180°F
AND NSF/ANSI 61 AND 372



WD-2000
Wafer Style
EPDM Liner
and Aluminum
Bronze Disc



LD-2000
Lug Style
EPDM Liner
and Aluminum
Bronze Disc

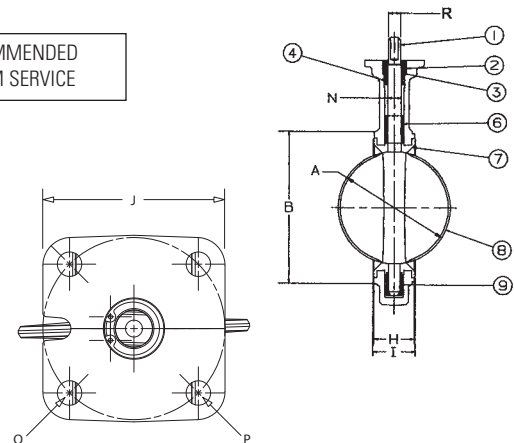
MATERIAL LIST

PART	SPECIFICATION
1. Stem	Stainless Steel ASTM A582 Type 416
2. Collar Bushing	Brass ASTM B16
3. Stem Seal	EPDM Rubber
4. Body Seal	EPDM Rubber
5. Nameplate	Aluminum
6. Upper Bushing	Copper CDA 122
7. Liner	EPDM Rubber
8. Disc	Alum. Brz. ASTM B148 Alloy 955
9. Lower Bushing	Copper CDA 122
10. Body Wafer	Ductile Iron ASTM A536
11. Body Lug	Ductile Iron ASTM A536

NOT RECOMMENDED
FOR STEAM SERVICE

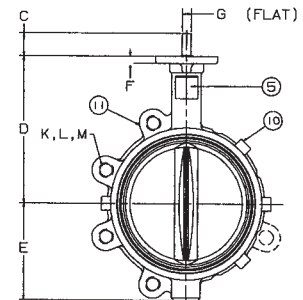
DIMENSIONS — WEIGHTS

Size	Flat Metal Rubber Square Dia.										
In. mm. A B C D E F G H I J N											
2 50	2.53	4.00	1.25	5.38	2.88	.38	.312	1.688	1.812	3.25	.500
2½ 65	2.90	4.69	1.25	5.88	3.27	.38	.370	1.812	1.938	3.25	.562
3 80	3.15	5.12	1.25	6.12	3.40	.38	.370	1.812	1.938	3.25	.562
4 100	4.09	6.12	1.25	6.88	4.00	.38	.403	2.062	2.188	3.25	.625
5 125	5.13	7.25	1.25	7.38	4.75	.38	.496	2.188	2.312	3.25	.750
6 150	6.13	8.25	1.25	8.00	5.29	.38	.496	2.188	2.312	3.25	.750
8 200	8.13	10.41	1.25	9.25	6.50	.50	.560	2.375	2.500	3.25	.875
10 250	10.13	12.52	1.25	10.50	8.00	.50	.686	2.688	2.812	4.75	1.125
12 300	12.13	15.00	1.25	12.00	9.25	.50	.748	3.000	3.125	4.75	1.250



Size	Capscrew/Stud Data						Wafer Length	Lug Length	Lug Weight		Wafer Weight	
	O	P	R	K	L	M			Lbs.	Kg.	Lbs.	Kg.
In. mm. B.C. Dia. Dia. No. Dia.						B.C.						
2 50	3.25	.437	.437	4	5/8-11unc	4 ¾	7	3.2	5.5	2.5		
2½ 65	3.25	.437	.500	4	5/8-11unc	5 ½	9	4.1	7.5	3.4		
3 80	3.25	.437	.500	4	5/8-11unc	6	9.5	4.3	8	3.6		
4 100	3.25	.437	.562	8	5/8-11unc	7 ½	15	6.8	11	5.0		
5 125	3.25	.437	.656	8	¾-10unc	8 ½	21	9.5	15	6.8		
6 150	3.25	.437	.656	8	¾-10unc	9 ½	24	10.9	18	8.2		
8 200	3.25	.437	.781	8	¾-10unc	11 ¾	34	15.4	28	12.7		
10 250	5.00	.562	1.000	12	7/8-9unc	14 ¼	62	28.1	45.5	20.7		
12 300	5.00	.562	1.062	12	7/8-9unc	17	90	40.9	70	31.8		

Refer to butterfly valve technical information for bolt lengths



For actuated service where a lower torque is required use NIBCO Fig. No. WDLXXX-0 or LDLXXX-0 series, sizes 2" thru 12" only. Maximum pressure rating of 100 PSI for wet application and 50 PSI for dry application.

WARNING: This product can expose you to chemicals including lead, which is known to the State of California to cause cancer and birth defects or other reproductive harm. For more information go to www.P65Warnings.ca.gov.

*Weighted average lead content ≤ 0.25%