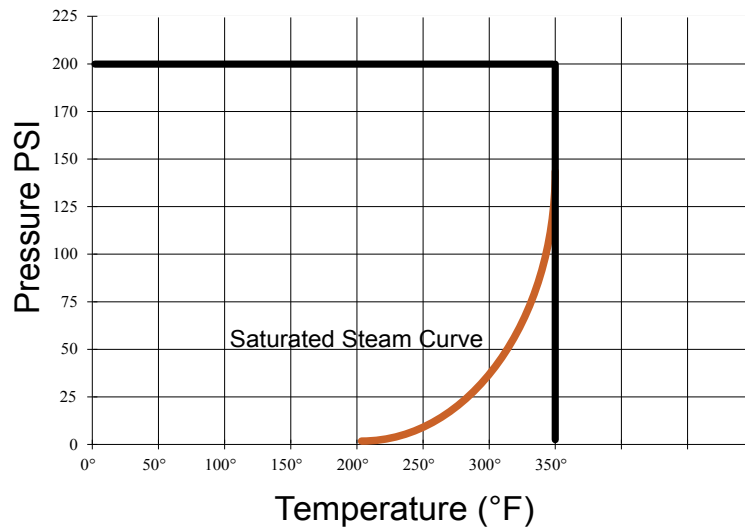


APPLICABLE STANDARDS:

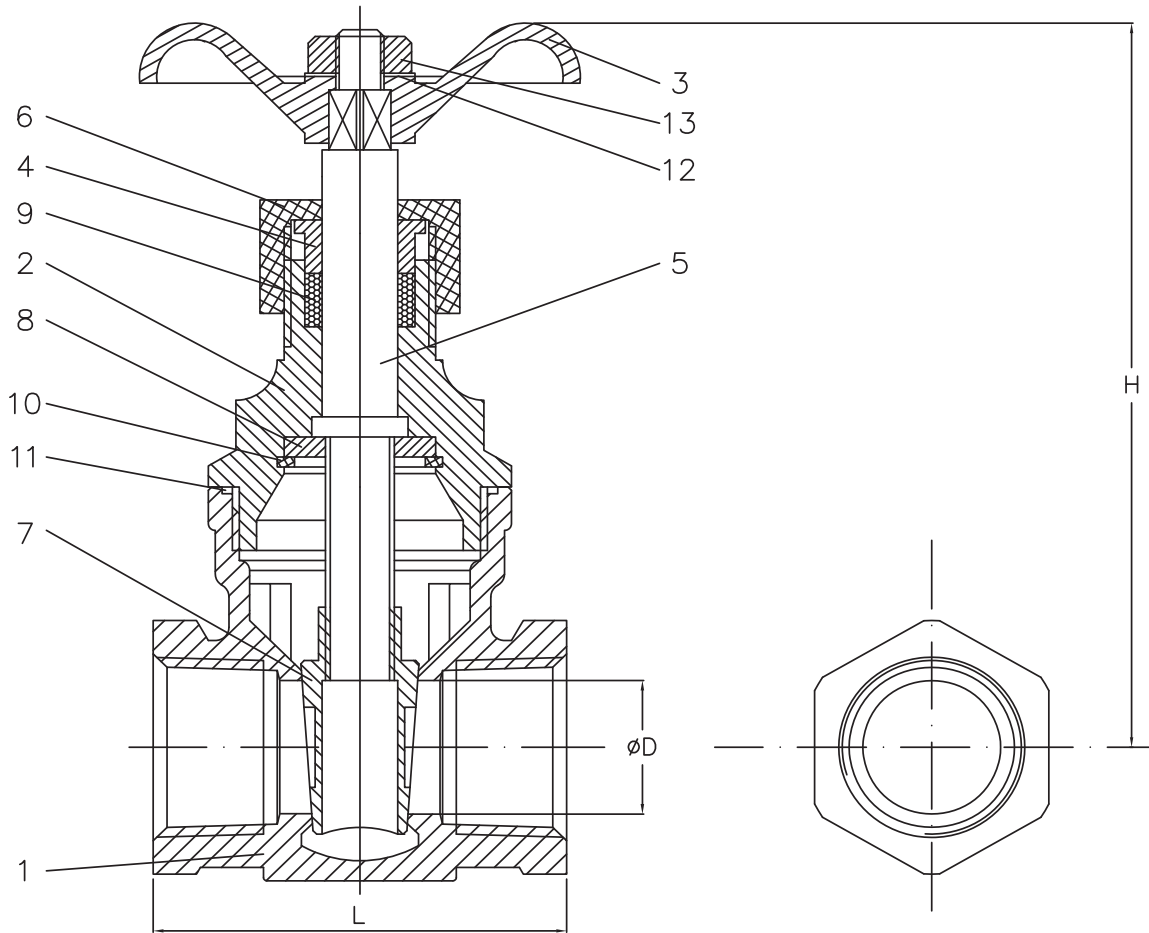
- Design: ASME/ANSI B16.34
- Testing: API 598
- 200 PSI Working Pressure at 350°F
- 316 Stainless Steel
- Screwed Bonnet
- Solid Wedge Disc
- Non-Rising Stem
- Hydrostatic Shell Test at 300 PSI
- Hydrostatic Seat Test at 220 PSI
- Threaded Ends



Cv, Weights & Port

Size	Cv	Wt (Lbs)	Port
1/2"	17.6	0.97	0.59
3/4"	32	1.43	0.79
1"	54	1.75	0.98
1-1/4"	97	2.98	1.26
1-1/2"	130	3.73	1.50
2"	230	5.34	1.97

Headquarters:
 One Merit Drive
 PO Box 43127
 Cleveland, OH 44143
 Tel: 216.261.9800
 Toll Free Tel: 800.726.9800
 Toll Free Fax: 855.MBFAXIT (623.2948)
 Email: mbsales@meritbrass.com
 Websites: www.meritbrass.com
www.MBWebXpress.com



NO.	PART NAME	QTY	MATERIAL
1	BODY	1	ASTMA351 CF8M
2	BONNET	1	ASTMA351 CF8M
3	HAND WHEEL	1	ALUMINUM
4	GLAND	1	S.S.316
5	STEM	1	S.S.316
6	PACKING NUT	1	S.S.304
7	DISC	1	S.S.316

NO.	PART NAME	QTY	MATERIAL
8	STEM WASHER	1	S.S.316
9	GLAND PACKING	1	TEFLON
10	SNAP RING	1	SUS316
11	JOINT GASKET	1	TEFLON
12	NAME PLATE	1	ALUMINUM
13	WHEEL NUT	1	S.S.304

Unit: Inch

Size	D Port	L	H
1/2"	0.59	2.17	3.74
3/4"	0.79	2.36	4.33
1"	0.98	2.56	4.72
1-1/4"	1.26	3.15	5.31
1-1/2"	1.50	3.35	5.71
2"	1.97	3.74	6.69