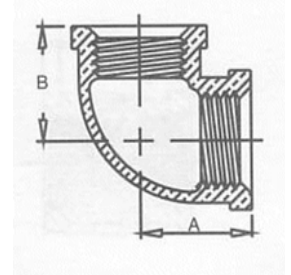


DIMENSIONAL SPECIFICATIONS

LEADED IMPORT BRASS FITTINGS** 125 LB.

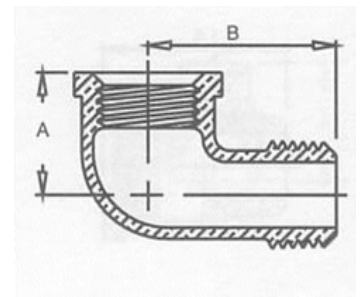
90 DEGREE ELBOW

Part #	Size (IN.)	Approx. Net WT. (LB.)	A	B
X101-02	1/8	0.07	0.54	0.54
X101-04	1/4	0.13	0.71	0.71
X101-06	3/8	0.17	0.82	0.82
X101-08	1/2	0.22	1.01	1.01
X101-12	3/4	0.37	1.18	1.18
X101-16	1	0.52	1.43	1.43
X101-20	1-1/4	0.96	1.69	1.69
X101-24	1-1/2	1.16	1.84	1.84
X101-32	2	2.07	2.12	2.12
X101-40	2-1/2	3.83	2.70	2.70
X101-48	3	4.62	3.08	3.08
X101-64	4	7.70	3.79	3.79



90 DEGREE STREET ELBOW

Part #	Size (IN.)	Approx. Net WT. (LB.)	A	B
X103-02	1/8	0.06	0.55	0.92
X103-04	1/4	0.11	0.72	1.11
X103-06	3/8	0.17	0.83	1.24
X103-08	1/2	0.21	1.03	1.51
X103-12	3/4	0.31	1.19	1.66
X103-16	1	0.63	1.43	1.98
X103-20	1-1/4	1.03	1.71	2.26
X103-24	1-1/2	1.27	1.87	2.46
X103-32	2	2.09	2.14	2.98
X103-40	2-1/2	4.05	2.74	3.92
X103-48	3	6.38	3.10	4.45



** ⚠ **WARNING:** This product can expose you to Lead, which is known to the State of California to cause cancer and birth defects or other reproductive harm. For more information go to www.P65Warnings.ca.gov. This product is not for use in potable water.

MERIT BRASS

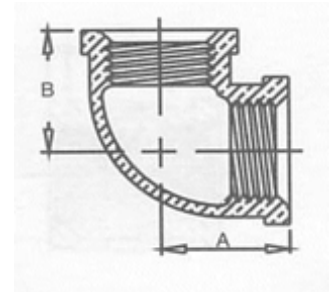
DIRECTING THE FLOW OF *Quality*

DIMENSIONAL SPECIFICATIONS

LEADED IMPORT BRASS FITTINGS** 125 LB.

90 DEGREE REDUCING ELBOW

Part #	Size (IN.)	Approx. Net WT. (LB.)	A	B
X101-0402	1/4 X 1/8	0.10	0.65	0.60
X101-0604	3/8 X 1/4	0.15	0.75	0.75
X101-0804	1/2 X 1/4	0.19	1.78	1.69
X101-0806	1/2 X 3/8	0.23	0.93	0.90
X101-1204	3/4 X 1/4	0.26	1.00	1.00
X101-1206	3/4 X 3/8	0.30	0.97	0.97
X101-1208	3/4 X 1/2	0.31	1.08	1.11
X101-1608	1 X 1/2	0.53	1.20	1.24
X101-1612	1 X 3/4	0.59	1.30	1.31
X101-2008	1-1/4 X 1/2	0.61	1.25	1.38
X101-2016	1-1/4 X 1	0.81	1.52	1.60
X101-2412	1-1/2 X 3/4	0.83	1.50	1.75
X101-2416	1-1/2 X 1	0.98	1.55	1.72
X101-2420	1-1/2 X 1-1/4	1.22	1.72	1.81
X101-3208	2 X 1/2	1.10	1.17	2.92
X101-3216	2 X 1	1.30	1.56	1.94
X101-3220	2 X 1-1/4	1.51	1.75	2.06
X101-3224	2 X 1-1/2	1.69	1.89	2.07
X101-4032	2-1/2 X 2	2.99	2.39	2.60
X101-4832	3 X 2	3.63	2.50	2.88
X101-4840	3 X 2-1/2	4.09	2.83	2.99



** ⚠ **WARNING:** This product can expose you to Lead, which is known to the State of California to cause cancer and birth defects or other reproductive harm. For more information go to www.P65Warnings.ca.gov. This product is not for use in potable water.

**MERIT
BRASS**

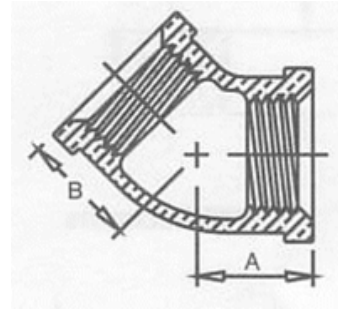
DIRECTING THE FLOW OF *Quality*

DIMENSIONAL SPECIFICATIONS

LEADED IMPORT BRASS FITTINGS** 125 LB.

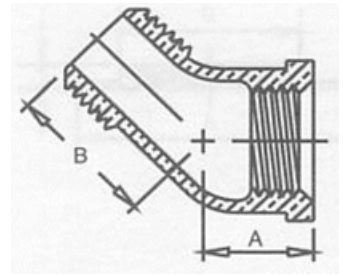
45 DEGREE ELBOW

Part #	Size (IN.)	Approx. Net WT. (LB.)	A	B
X102-02	1/8	0.07	0.43	0.43
X102-04	1/4	0.11	0.55	0.55
X102-06	3/8	0.12	0.63	0.63
X102-08	1/2	0.25	0.79	0.79
X102-12	3/4	0.34	0.91	0.91
X102-16	1	0.54	1.07	1.07
X102-20	1-1/4	0.90	1.23	1.23
X102-24	1-1/2	1.03	1.31	1.31
X102-32	2	1.54	1.47	1.47
X102-40	2-1/2	3.30	1.89	1.89
X102-48	3	3.52	2.18	2.18



45 DEGREE STREET ELBOW

Part #	Size (IN.)	Approx. Net WT. (LB.)	A	B
X103A-04	1/4	0.09	0.56	0.88
X103A-06	3/8	0.14	0.63	0.92
X103A-08	1/2	0.29	0.78	1.06
X103A-12	3/4	0.31	0.89	1.23
X103A-16	1	0.52	1.06	1.40
X103A-20	1-1/4	0.77	1.22	1.64
X103A-24	1-1/2	0.97	1.30	1.80
X103A-32	2	2.04	1.45	2.14



** ⚠ **WARNING:** This product can expose you to Lead, which is known to the State of California to cause cancer and birth defects or other reproductive harm. For more information go to www.P65Warnings.ca.gov. This product is not for use in potable water.

**MERIT
BRASS**

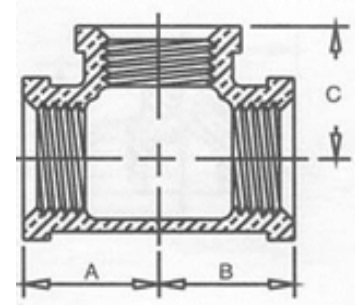
DIRECTING THE FLOW OF *Quality*

DIMENSIONAL SPECIFICATIONS

LEADED IMPORT BRASS FITTINGS** 125 LB.

TEE

Part #	Size (IN.)	Approx. Net WT. (LB.)	A	B	C
X106-02	1/8	0.09	0.54	0.54	0.54
X106-04	1/4	0.16	0.71	0.71	0.71
X106-06	3/8	0.24	0.82	0.82	0.82
X106-08	1/2	0.29	1.01	1.01	1.01
X106-12	3/4	0.44	1.18	1.18	1.18
X106-16	1	0.77	1.43	1.43	1.43
X106-20	1-1/4	1.18	1.69	1.69	1.69
X106-24	1-1/2	1.56	1.84	1.84	1.84
X106-32	2	2.62	2.12	2.12	2.12
X106-40	2-1/2	5.28	2.70	2.70	2.70
X106-48	3	5.98	3.08	3.08	3.08
X106-64	4	10.78	3.79	3.79	3.79



** ⚠ **WARNING:** This product can expose you to Lead, which is known to the State of California to cause cancer and birth defects or other reproductive harm. For more information go to www.P65Warnings.ca.gov. This product is not for use in potable water.

**MERIT
BRASS**

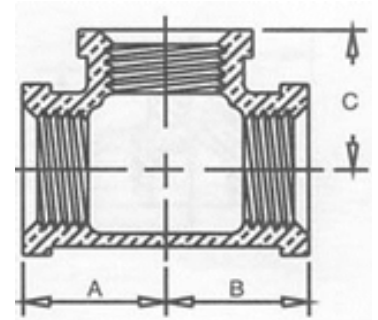
DIRECTING THE FLOW OF *Quality*

DIMENSIONAL SPECIFICATIONS

LEADED IMPORT BRASS FITTINGS** 125 LB.

REDUCING TEE

Part #	Size (IN.)	Approx. Net WT. (LB.)	A	B	C
X106-040402	1/4 X 1/4 X 1/8	0.14	0.65	0.65	0.60
X106-060604	3/8 X 3/8 X 1/4	0.21	0.75	0.75	0.78
X106-080408	1/2 X 1/4 X 1/2	0.28	0.93	0.87	0.93
X106-080806	1/2 X 1/2 X 3/8	0.32	0.93	0.93	0.90
X106-080812	1/2 X 1/2 X 3/4	0.47	1.11	1.11	1.08
X106-120808	3/4 X 1/2 X 1/2	0.43	1.08	1.01	1.11
X106-120812	3/4 X 1/2 X 3/4	0.49	1.18	1.11	1.18
X106-121204	3/4 X 3/4 X 1/4	0.38	1.00	1.00	1.00
X106-121206	3/4 X 3/4 X 3/8	0.46	1.00	1.00	1.00
X106-121208	3/4 X 3/4 X 1/2	0.53	1.08	1.08	1.11
X106-121216	3/4 X 3/4 X 1	0.73	1.31	1.31	1.30
X106-160808	1 X 1/2 X 1/2	0.43	1.31	1.22	1.31
X106-160812	1 X 1/2 X 3/4	0.49	1.30	1.11	1.31
X106-160816	1 X 1/2 X 1	0.73	1.43	1.24	1.43
X106-161208	1 X 3/4 X 1/2	0.67	1.20	1.08	1.24
X106-161212	1 X 3/4 X 3/4	0.70	1.30	1.08	1.31
X106-161606	1 X 1 X 3/8	0.63	1.12	1.12	1.13
X106-161608	1 X 1 X 1/2	0.73	1.20	1.20	1.24
X106-161612	1 X 1 X 3/4	0.83	1.30	1.30	1.31
X106-161620	1 X 1 X 1-1/4	0.97	1.60	1.60	1.52
X106-200820	1-1/4 X 1/2 X 1-1/4	1.05	1.69	1.40	1.69
X106-202008	1-1/4 X 1-1/4 X 1/2	1.05	1.29	1.29	1.41
X106-202012	1-1/4 X 1-1/4 X 3/4	1.04	1.39	1.39	1.48
X106-202016	1-1/4 X 1-1/4 X 1	1.12	1.52	1.52	1.60
X106-240824	1-1/2 X 1/2 X 1-1/2	1.11	1.81	1.56	1.81



** ⚠ **WARNING:** This product can expose you to Lead, which is known to the State of California to cause cancer and birth defects or other reproductive harm. For more information go to www.P65Warnings.ca.gov. This product is not for use in potable water.

MERIT BRASS

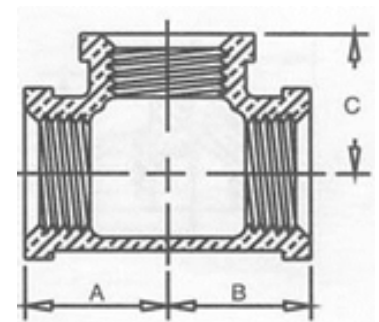
DIRECTING THE FLOW OF *Quality*

DIMENSIONAL SPECIFICATIONS

LEADED IMPORT BRASS FITTINGS** 125 LB.

REDUCING TEE CONTINUED

Part #	Size (IN.)	Approx. Net WT. (LB.)	A	B	C
X106-242408	1-1/2 X 1-1/2 X 1/2	1.11	1.32	1.32	1.53
X106-242412	1-1/2 X 1-1/2 X 3/4	1.23	1.42	1.42	1.60
X106-242416	1-1/2 X 1-1/2 X 1	1.31	1.55	1.55	1.72
X106-242420	1-1/2 X 1-1/2 X 1-1/4	1.52	1.72	1.72	1.81
X106-323208	2 X 2 X 1/2	1.65	1.50	1.50	1.88
X106-323212	2 X 2 X 3/4	1.87	1.47	1.47	1.84
X106-323216	2 X 2 X 1	1.91	1.59	1.59	1.95
X106-323220	2 X 2 X 1-1/4	2.15	1.77	1.77	2.04
X106-323224	2 X 2 X 1-1/2	3.08	1.89	1.89	2.07
X106-404016	2-1/2 X 2-1/2 X 1	4.07	1.88	1.88	2.38
X106-404032	2-1/2 X 2-1/2 X 2	4.07	2.39	2.39	2.60
X106-484832	3 X 3 X 2	4.36	2.52	2.52	2.89
X106-484840	3 X 3 X 2-1/2	5.50	2.83	2.83	2.99
X106-646432	4 X 4 X 2	7.59	2.75	2.75	3.41



**** ⚠ WARNING:** This product can expose you to Lead, which is known to the State of California to cause cancer and birth defects or other reproductive harm. For more information go to www.P65Warnings.ca.gov. This product is not for use in potable water.

MERIT BRASS

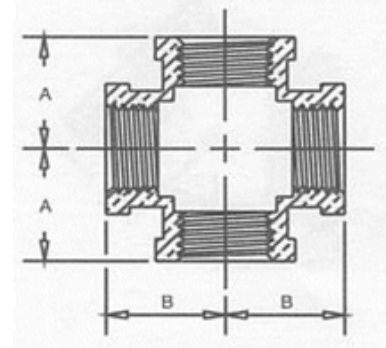
DIRECTING THE FLOW OF *Quality*

DIMENSIONAL SPECIFICATIONS

LEADED IMPORT BRASS FITTINGS** 125 LB.

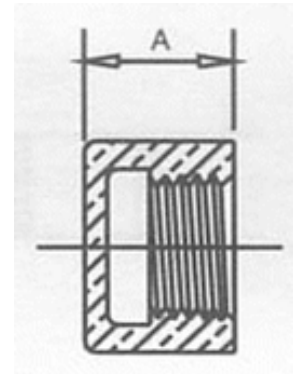
CROSS

Part #	Size (IN.)	Approx. Net WT. (LB.)	A	B
X110-02	1/8	0.13	0.54	0.54
X110-04	1/4	0.20	0.71	0.71
X110-06	3/8	0.29	0.82	0.82
X110-08	1/2	0.43	1.01	1.01
X110-12	3/4	0.68	1.18	1.18
X110-16	1	1.08	1.43	1.43
X110-20	1-1/4	1.70	1.69	1.69
X110-24	1-1/2	1.97	1.84	1.84
X110-32	2	2.52	2.12	2.12
X110-40	2-1/2	5.73	2.70	2.70



CAP

Part #	Size (IN.)	Approx. Net WT. (LB.)	A
X116-02	1/8	0.04	0.49
X116-04	1/4	0.07	0.59
X116-06	3/8	0.09	0.66
X116-08	1/2	0.13	0.78
X116-12	3/4	0.22	0.84
X116-16	1	0.40	1.00
X116-20	1-1/4	0.48	1.13
X116-24	1-1/2	0.72	1.16
X116-32	2	1.11	1.34
X116-40	2-1/2	1.75	1.72
X116-48	3	2.71	1.81
X116-64	4	3.76	2.09



** ⚠ **WARNING:** This product can expose you to Lead, which is known to the State of California to cause cancer and birth defects or other reproductive harm. For more information go to www.P65Warnings.ca.gov. This product is not for use in potable water.

MERIT BRASS

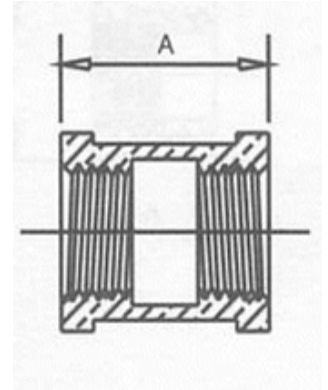
DIRECTING THE FLOW OF *Quality*

DIMENSIONAL SPECIFICATIONS

LEADED IMPORT BRASS FITTINGS** 125 LB.

COUPLING

Part #	Size (IN.)	Approx. Net WT. (LB.)	A
X111-02	1/8	0.06	0.80
X111-04	1/4	0.10	0.80
X111-06	3/8	0.14	1.05
X111-08	1/2	0.19	1.29
X111-12	3/4	0.29	1.43
X111-16	1	0.45	1.68
X111-20	1-1/4	0.56	1.86
X111-24	1-1/2	1.03	1.92
X111-32	2	1.06	2.20
X111-40	2-1/2	2.77	2.88
X111-48	3	2.75	3.18



** ⚠ **WARNING:** This product can expose you to Lead, which is known to the State of California to cause cancer and birth defects or other reproductive harm. For more information go to www.P65Warnings.ca.gov. This product is not for use in potable water.

**MERIT
BRASS**

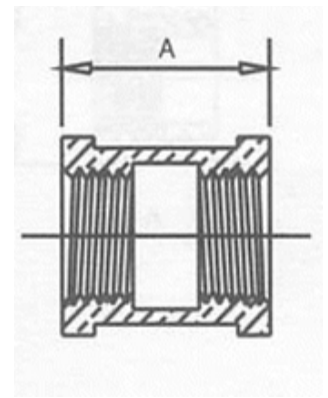
DIRECTING THE FLOW OF *Quality*

DIMENSIONAL SPECIFICATIONS

LEADED IMPORT BRASS FITTINGS** 125 LB.

REDUCING COUPLING

Part #	Size (IN.)	Approx. Net WT. (LB.)	A
X112-0604	3/8 X 1/4	0.12	0.92
X112-0806	1/2 X 3/8	0.17	1.17
X112-1206	3/4 X 3/8	0.24	1.35
X112-1208	3/4 X 1/2	0.26	1.35
X112-1612	1 X 3/4	0.45	1.56
X112-2012	1-1/4 X 3/4	0.67	1.77
X112-2408	1-1/2 X 1/2	0.85	1.80
X112-2412	1-1/2 X 3/4	0.92	1.80
X112-2416	1-1/2 X 1	0.90	1.80
X112-2420	1-1/2 X 1-1/4	0.99	1.80
X112-3216	2 X 1	1.39	2.03
X112-3220	2 X 1-1/4	1.05	2.03
X112-4024	2-1/2 X 1-1/2	1.94	3.25
X112-4032	2-1/2 X 2	2.11	3.25
X112-4832	3 X 2	2.40	3.69
X112-4840	3 X 2-1/2	3.01	3.69
X112-6432	4 X 2	3.40	4.38
X112-6448	4 X 3	4.58	4.38



** ⚠ **WARNING:** This product can expose you to Lead, which is known to the State of California to cause cancer and birth defects or other reproductive harm. For more information go to www.P65Warnings.ca.gov. This product is not for use in potable water.

**MERIT
BRASS**

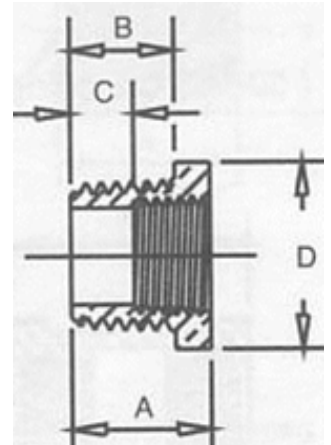
DIRECTING THE FLOW OF *Quality*

DIMENSIONAL SPECIFICATIONS

LEADED IMPORT BRASS FITTINGS** 125 LB.

HEX BUSHING

Part #	Size (IN.)	Approx. Net WT. (LB.)	A	B	C	D
X114-0602	3/8 X 1/8	0.10	0.64	0.48	0.39	0.69
X114-0604	3/8 X 1/4	0.10	0.64	0.48	0.24	0.69
X114-0802	1/2 X 1/8	0.10	0.75	0.56	0.50	0.88
X114-0804	1/2 X 1/4	0.09	0.75	0.56	0.43	0.88
X114-0806	1/2 X 3/8	0.07	0.75	0.56	0.34	0.88
X114-1202	3/4 X 1/8	0.19	0.88	0.63	0.25	1.16
X114-1204	3/4 X 1/4	0.17	0.85	0.63	0.53	1.16
X114-1206	3/4 X 3/8	0.16	0.85	0.63	0.49	1.16
X114-1208	3/4 X 1/2	0.11	0.85	0.63	0.32	1.16
X114-1604	1 X 1/4	0.30	1.05	0.75	0.73	1.44
X114-1606	1 X 3/8	0.22	1.05	0.75	0.69	1.13
X114-1608	1 X 1/2	0.21	1.00	0.75	0.57	1.13
X114-1612	1 X 3/4	0.24	1.00	0.75	0.50	1.13
X114-2008	1-1/4 X 1/2	0.47	1.14	0.80	0.71	1.34
X114-2016	1-1/4 X 1	0.39	1.08	0.80	0.47	1.78



** ⚠ **WARNING:** This product can expose you to Lead, which is known to the State of California to cause cancer and birth defects or other reproductive harm. For more information go to www.P65Warnings.ca.gov. This product is not for use in potable water.

**MERIT
BRASS**

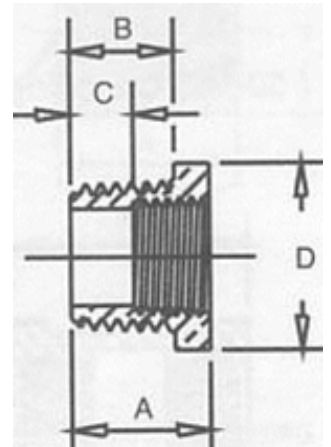
DIRECTING THE FLOW OF *Quality*

DIMENSIONAL SPECIFICATIONS

LEADED IMPORT BRASS FITTINGS** 125 LB.

HEX BUSHING CONTINUED

Part #	Size (IN.)	Approx. Net WT. (LB.)	A	B	C	D
X114-2406	1-1/2 X 3/8	0.45	1.14	0.81	0.57	1.78
X114-2412	1-1/2 X 3/4	0.50	1.20	0.83	0.70	1.63
X114-2416	1-1/2 X 1	0.65	1.14	0.83	0.56	2.00
X114-2420	1-1/2 X 1-1/4	0.43	1.14	0.83	0.43	2.00
X114-3208	2 X 1/2	1.10	1.31	0.88	0.88	1.34
X114-3212	2 X 3/4	1.15	1.31	0.88	0.81	1.63
X114-3220	2 X 1-1/4	0.87	1.22	0.88	0.55	2.50
X114-3224	2 X 1-1/2	0.81	1.22	0.88	0.52	2.50
X114-4016	2-1/2 X 1	1.76	1.53	1.09	0.94	1.97
X114-4020	2-1/2 X 1-1/4	1.67	1.53	1.09	0.84	2.97
X114-4032	2-1/2 X 2	1.21	1.44	1.07	0.69	2.41
X114-4824	3 X 1-1/2	2.44	1.63	1.13	0.91	3.50
X114-4832	3 X 2	1.70	1.61	1.13	0.86	3.50
X114-4840	3 X 2-1/2	1.69	1.53	1.13	0.61	3.88



** ⚠ **WARNING:** This product can expose you to Lead, which is known to the State of California to cause cancer and birth defects or other reproductive harm. For more information go to www.P65Warnings.ca.gov. This product is not for use in potable water.

**MERIT
BRASS**

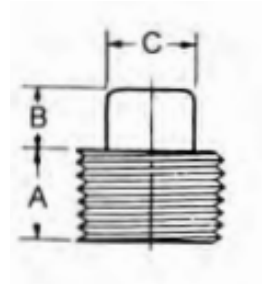
DIRECTING THE FLOW OF *Quality*

DIMENSIONAL SPECIFICATIONS

LEADED IMPORT BRASS FITTINGS** 125 LB.

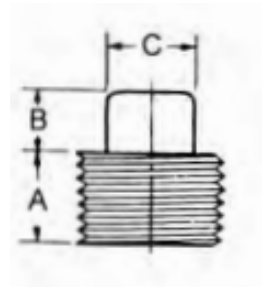
SQUARE HEAD CORED PLUG

Part #	Size (IN.)	Approx. Net WT. (LB.)	A	B	C
X117-08	1/2	0.09	0.54	0.38	0.56
X117-12	3/4	0.17	0.55	0.44	0.63
X117-16	1	0.26	0.69	0.50	0.81
X117-20	1-1/4	0.38	0.71	0.56	0.94
X117-24	1-1/2	0.52	0.73	0.62	1.13
X117-32	2	0.83	0.76	0.68	1.31
X117-40	2-1/2	1.26	1.07	0.74	1.50
X117-48	3	1.49	1.13	0.80	1.69
X117-64	4	3.41	1.22	0.92	2.25



SQUARE HEAD SOLID PLUG

Part #	Size (IN.)	Approx. Net WT. (LB.)	A	B	C
X117A-04	1/4	0.10	0.27	0.24	0.28
X117A-06	3/8	0.06	0.41	0.31	0.44
X117A-08	1/2	0.12	0.54	0.38	0.56
X117A-12	3/4	0.18	0.55	0.55	0.63
X117A-16	1	0.35	0.69	0.50	0.81
X117A-20	1-1/4	0.56	0.71	0.56	0.94
X117A-24	1-1/2	0.80	0.73	0.62	1.13
X117A-32	2	1.28	0.76	0.68	1.31
X117A-40	2-1/2	2.35	1.07	0.74	1.50
X117A-48	3	3.59	1.13	0.80	1.69
X117A-64	4	6.82	1.22	0.92	2.25



** ⚠ **WARNING:** This product can expose you to Lead, which is known to the State of California to cause cancer and birth defects or other reproductive harm. For more information go to www.P65Warnings.ca.gov. This product is not for use in potable water.

MERIT BRASS

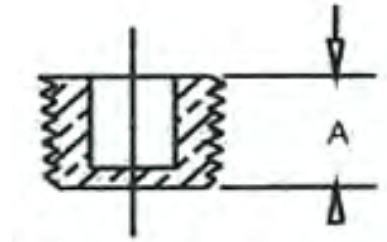
DIRECTING THE FLOW OF *Quality*

DIMENSIONAL SPECIFICATIONS

LEADED IMPORT BRASS FITTINGS** 125 LB.

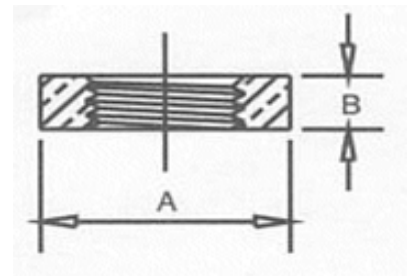
SQUARE COUNTERSUNK PLUG

Part #	Size (IN.)	Approx. Net WT. (LB.)	A
X118-08	1/2	0.22	0.54
X118-12	3/4	0.38	0.55
X118-16	1	0.47	0.69
X118-20	1-1/4	0.72	0.71
X118-24	1-1/2	1.06	0.73
X118-32	2	1.52	0.76



HEX LOCKNUT

Part #	Size (IN.)	Approx. Net WT. (LB.)	A	B
X119-02	1/8	0.02	0.88	0.25
X119-04	1/4	0.03	0.88	0.25
X119-06	3/8	0.04	1.00	0.28
X119-08	1/2	0.10	1.28	0.31
X119-12	3/4	0.13	1.50	0.28
X119-16	1	0.20	1.75	0.34
X119-20	1-1/4	0.29	2.09	0.38
X119-24	1-1/2	0.52	2.44	0.41
X119-32	2	0.64	2.94	0.47



** ⚠ **WARNING:** This product can expose you to Lead, which is known to the State of California to cause cancer and birth defects or other reproductive harm. For more information go to www.P65Warnings.ca.gov. This product is not for use in potable water.

**MERIT
BRASS**

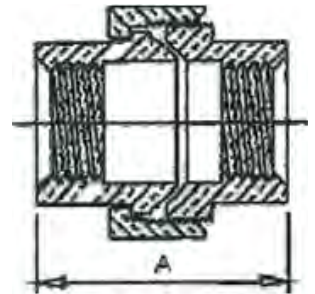
DIRECTING THE FLOW OF *Quality*

DIMENSIONAL SPECIFICATIONS

LEADED IMPORT BRASS FITTINGS** 125 LB.

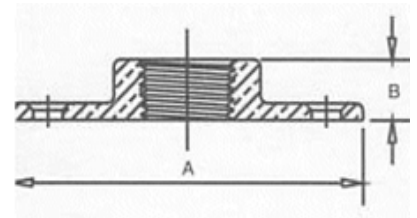
UNION

Part #	Size (IN.)	Approx. Net WT. (LB.)	A
X187-04	1/4	0.22	1.25
X187-06	3/8	0.38	1.48
X187-08	1/2	0.47	1.56
X187-12	3/4	0.72	1.87
X187-16	1	1.06	2.11
X187-20	1-1/4	1.52	2.34
X187-24	1-1/2	2.09	2.65
X187-32	2	3.12	2.96



FLOOR FLANGE

Part #	Size (IN.)	Approx. Net WT. (LB.)	A	B
X240-08	1/2	0.65	3.52	0.55
X240-12	3/4	0.70	3.52	0.62
X240-16	1	0.89	4.02	0.70
X240-20	1-1/4	0.94	4.02	0.76
X240-24	1-1/2	1.24	4.53	0.89
X240-32	2	1.71	5.54	1.00



** ⚠️ **WARNING:** This product can expose you to Lead, which is known to the State of California to cause cancer and birth defects or other reproductive harm. For more information go to www.P65Warnings.ca.gov. This product is not for use in potable water.

MERIT BRASS

DIRECTING THE FLOW OF *Quality*