

100F Flanged Cast Iron Gate Valve • Spec Sheet

Sizes 2" - 12"

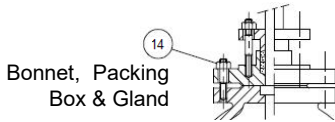


FEATURES & BENEFITS

- ISO-9001
- Gate Valve-Flanged Ends
- 200 WOG- 125 WSP
- Class 125
- Iron Body, Bronze Mounted (IBBM)
- 3 Bossings for Tapping
- Bolted Bonnet
- Non Rising Bronze Stem
- Solid Wedge
- Conforms to MSS-SP70
- Flanged Ends Conform w/ ANSI B16.1
- Bituminous Coating
- Sizes 2" - 24"

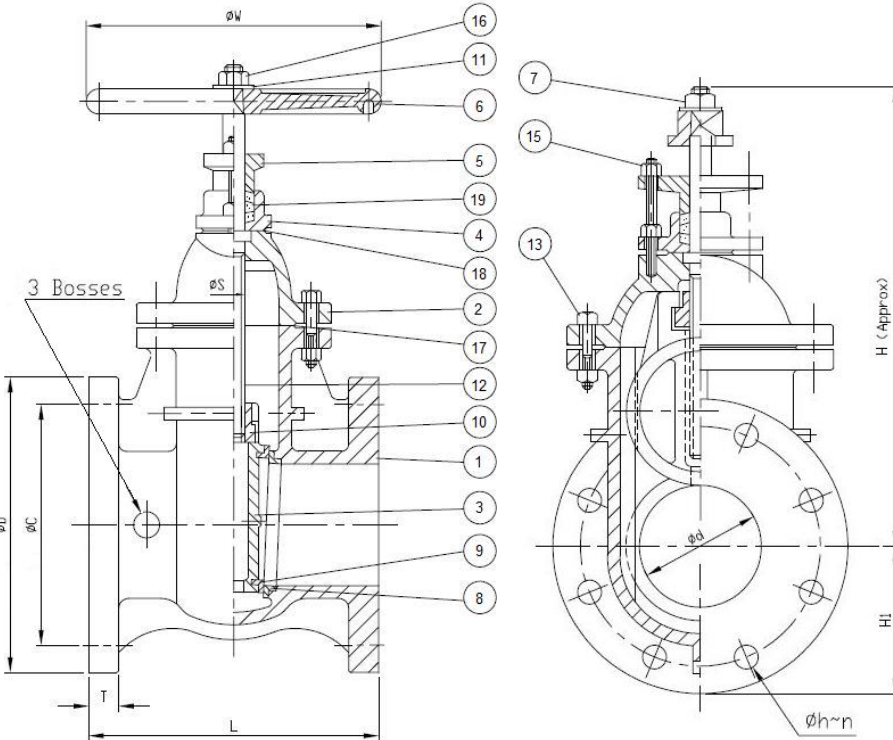
DIMENSIONS

Part #	Ød Size	L	ØD	ØC	Øh	n	T	ØS	H	H1	ØW	Approx. Weight
100F08	2"	7	6	4-3/4	3/4	4	5/8	5/8	10-1/8	3	7-1/16	26.4
100F09	2-1/2"	7-1/2	7	5-1/2	3/4	4	11/16	5/8	11-1/2	3-1/2	7-1/16	34.1
100F10	3"	8	7-1/2	6	3/4	4	3/4	11/16	12-3/8	3-3/4	7-7/8	44.0
100F11	4"	9	9	7-1/2	3/4	8	15/16	16/16	14-1/2	4-1/2	8-13/16	77.0
100F12	5"	10	10	8-1/2	7/8	8	15/16	7/8	16-3/4	5	9-7/8	96.8
100F13	6"	10-1/2	11	9-1/2	7/8	8	1	15/16	18-5/8	5-1/2	9-7/8	126.5
100F14	8"	11-1/2	13-1/2	11-3/4	7/8	8	1-1/8	1	22	6-3/4	11	220.0
100F15	10"	13	16	14-1/4	1	12	1-3/16	1-1/4	26-1/2	8	12-7/16	314.6
100F16	12"	14	19	17	1	12	1-1/4	1-1/4	30-3/8	9-1/2	14	481.8



MATERIAL SPECIFICATIONS

No.	Part	Material
1	Body	Cast Iron A 126 Class B
2	Bonnet	Cast Iron A 126 Class B
3	Disc	Cast Iron A 126 Class B
4	Packing Box	Cast Iron A 126 Class B
5	Gland	Cast Iron A 126 Class B
6	Hand Wheel	Cast Iron A 126 Class B
7	Operating Nut	Cast Iron A 126 Class B
8	Body Seat Ring	Bronze B 62
9	Disc Seat Ring	Bronze B 62
10	Stem Nut	Bronze B 62
11	Hand Wheel Washer	Zinc Coated Steel A 307 Grade B
12	Stem	Bronze B 21
13	Bonnet Bolt & Nut	Zinc Coated Steel A 307 Grade B
14	Packing Box Stud & Nut	Zinc Coated Steel A 307 Grade B
15	Gland Stud & Nut	Zinc Coated Steel A 307 Grade B
16	Hand Wheel Nut	Zinc Coated Steel A 307 Grade B
17	Bonnet Gasket	Non Asbestos 2214
18	Packing Box Gasket	Non Asbestos Sheet
19	Packing	Non Asbestos Sheet



CALIFORNIA 5595 Fresca Dr., La Palma CA 90623
TEXAS 1150 Silber Rd., Houston TX 77055
ILLINOIS 278 Windy Point Dr., Glendale Heights, IL 60139
GEORGIA 113 Industrial Blvd., Americus, Georgia 31709
NEW YORK PO Box 27, Rt.22, Brewster NY 10509
 WEB: www.matco-norca.com

• Phone: 866-532-8306 • Fax: 866-532-8307
 • Phone: 800-935-5456 • Fax: 713-680-2999
 • Phone: 844-412-5068 • Fax: 800-640-2252
 • Phone: 800-433-7526 • Fax: 800-533-5134
 • Phone: 800-431-2082 • Fax: 845-278-9056
 EMAIL: mail@matco-norca.com

100F Flanged Cast Iron Gate Valve • Spec Sheet

Sizes 14" - 18"

FEATURES & BENEFITS

- ISO-9001
- Gate Valve-Flanged Ends
- 150 WOG- 125 WSP
- Class 125
- Iron Body, Bronze Mounted (IBBM)
- 3 Bossings for Tapping
- Bolted Bonnet
- Non Rising Bronze Stem
- Solid Wedge
- Conforms to MSS-SP70
- Flanged Ends Conform w/ ANSI B16.1
- Bituminous Coating
- Sizes 2" - 24"

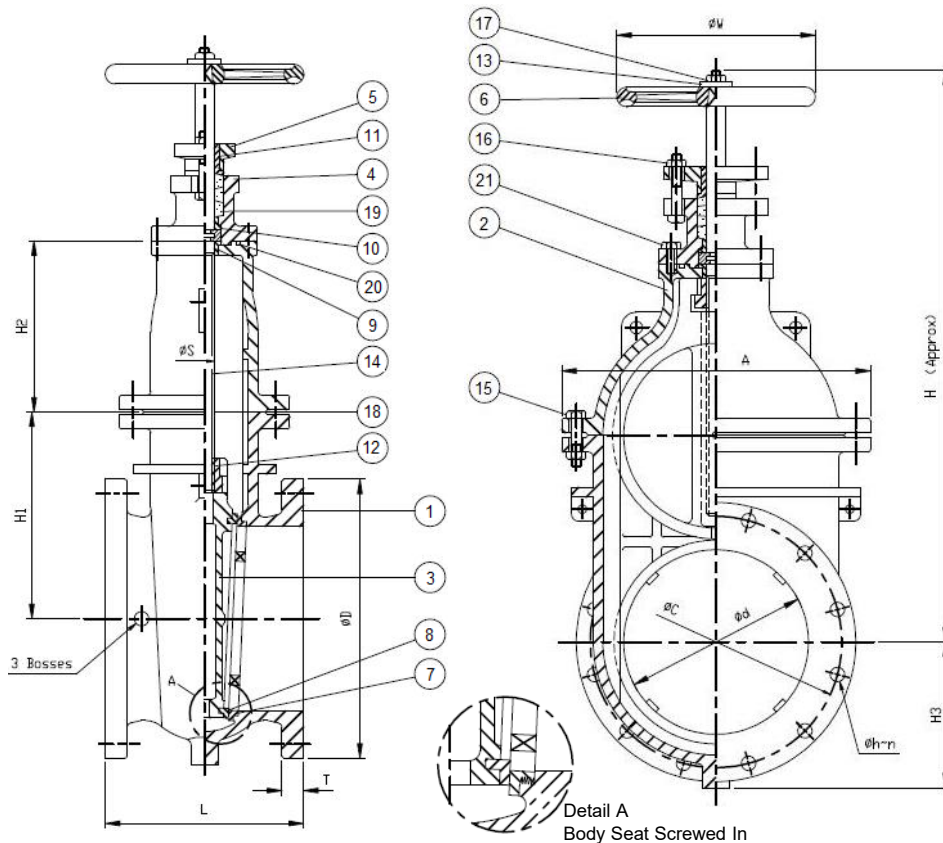
DIMENSIONS

Part #	Ød Size	L	ØD	ØC	Øh	n	T	ØS	H1	H2	H3	ØW	Approx. Weight
100F17	14"	15	21	18-3/4	1-1/8	12	1-3/8	1-23/32	14-9/16	12-11/16	10-9/16	15-3/4	754.6
100F18	16"	16	23-1/2	21-1/4	1-1/8	16	1-7/16	1-7/8	16-5/8	14-3/8	11-13/16	17-11/16	1012
100F19	18"	17	25	22-3/4	1-1/4	16	1-9/16	1-7/8	18-11/16	15-5/8	13-1/16	19-11/16	1298



MATERIAL SPECIFICATIONS

No.	Part	Material
1	Body	Cast Iron A 126 Class B
2	Bonnet	Cast Iron A 126 Class B
3	Disc	Cast Iron A 126 Class B
4	Packing Box	Cast Iron A 126 Class B
5	Gland	Cast Iron A 126 Class B
6	Hand Wheel	Cast Iron A 126 Class B
7	Body Seat Ring	Bronze B 62
8	Disc Seat Ring	Bronze B 62
9	Bonnet Bushing	Bronze B 62
10	Packing Box Bushing	Bronze B 62
11	Gland Bushing	Bronze B 62
12	Stem Nut	Bronze B 62
13	Hand Wheel Washer	Zinc Coated Steel A 284
14	Stem	Bronze B 21
15	Bonnet Bolt & Nut	Zinc Coated Steel A 307 Grade B
16	Gland Bolt & Nut	Zinc Coated Steel A 307 Grade B
17	Hand Wheel Nut	Zinc Coated Steel A 307 Grade B
18	Bonnet Gasket	Non Asbestos Sheet
19	Packing	Non Asbestos 2214
20	O Ring	Rubber (EPDM) D 2000 CA 707
21	Packing Box Box	Zinc Coated Steel A 307 Grade B



MATCO
NORCA

CALIFORNIA 5595 Fresca Dr., La Palma CA 90623
TEXAS 1150 Silber Rd., Houston TX 77055
ILLINOIS 278 Windy Point Dr., Glendale Heights, IL 60139
GEORGIA 113 Industrial Blvd., Americus, Georgia 31709
NEW YORK PO Box 27, Rt.22, Brewster NY 10509
 WEB: www.matco-norca.com

• Phone: 866-532-8306 • Fax: 866-532-8307
 • Phone: 800-935-5456 • Fax: 713-680-2999
 • Phone: 844-412-5068 • Fax: 800-640-2252
 • Phone: 800-433-7526 • Fax: 800-533-5134
 • Phone: 800-431-2082 • Fax: 845-278-9056
 EMAIL: mail@matco-norca.com