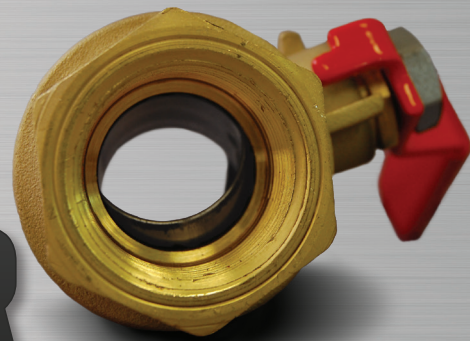
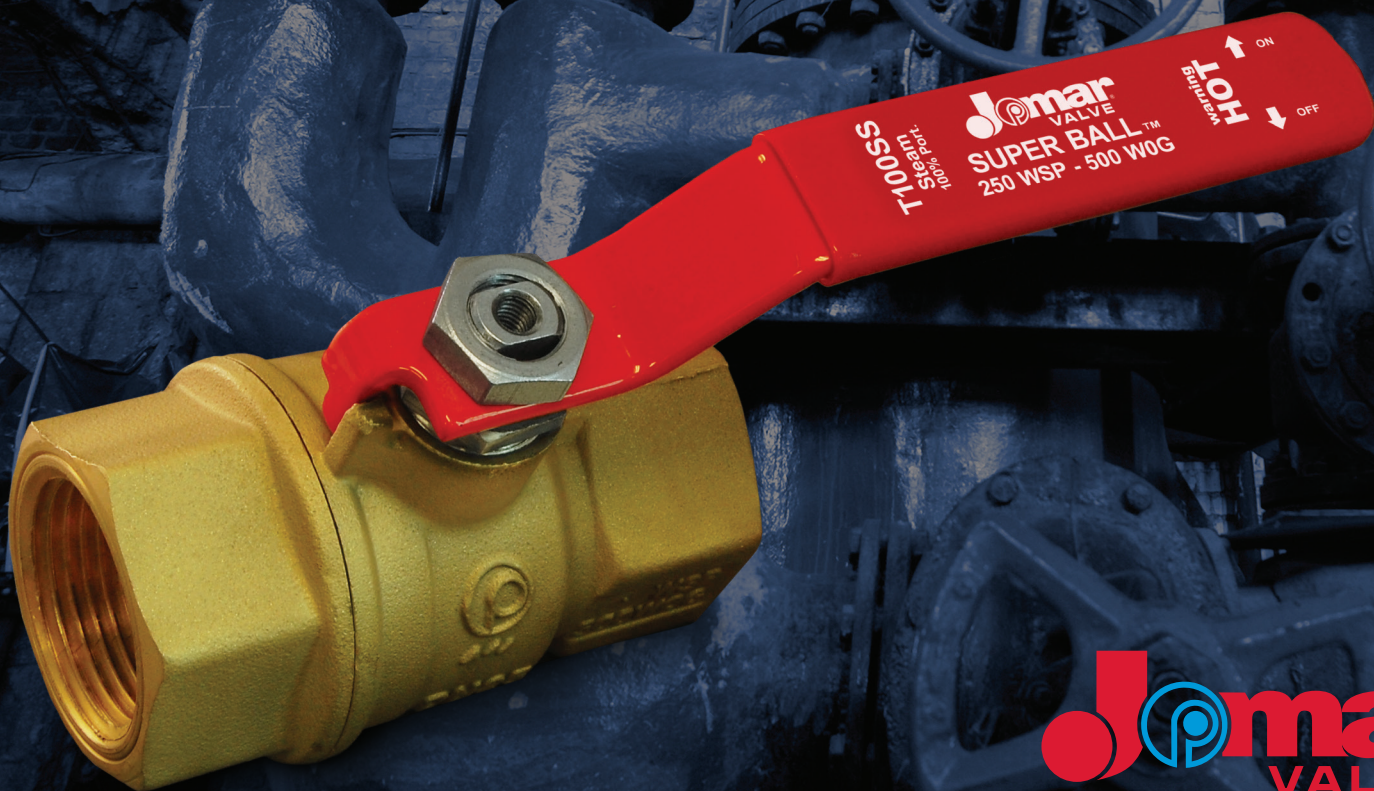


THE T-100 JUST GOT BETTER



NOW RATED FOR 250 STEAM



| | T-100SSS | 70B-140 | T-585 |
|---|----------|---------|-------|
| Full Port | ✓ | | ✓ |
| PTFE Carbon Filled Seats (Max Temp = 500°) | ✓ | | ✓ |
| Brazed Body-Female Thread | ✓ | | |
| Stainless Steel Ball & Stem | ✓ | ✓ | ✓ |
| Stainless Steel Nut | ✓ | | ✓ |
| Geomet Steel Handle with Epoxy Coating (Max Temp = 392°) | ✓ | | |
| 2 Viton O-Ring + PTFE G415 Ring on Stem | ✓ | | |
| Class: WSP250 | ✓ | ✓ | ✓ |

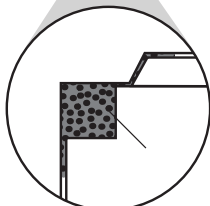
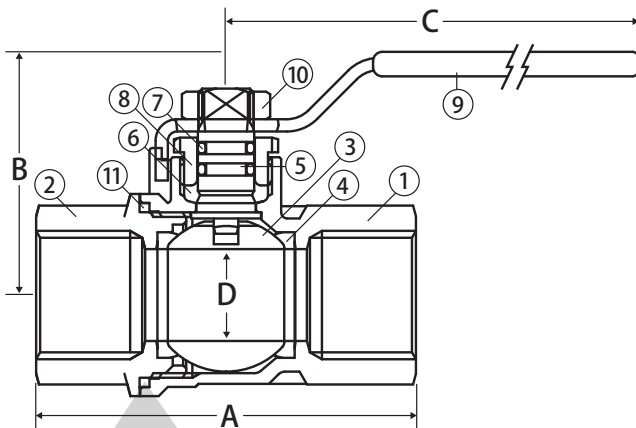
Description

Steam Valve - 1/4 turn, lever operated, hot forged brass ball valve. 100% full port. Blow-out proof two-piece design. Made in Italy. 100% tested.

Dimensions in Inches

| Part Number | Valve Size | A | B | C | D | CV† |
|-------------|------------|------|------|------|------|--------|
| 100-531 | 1/4" | 1.86 | 1.41 | 2.95 | 0.39 | 7.66 |
| 100-533 | 1/2" | 2.45 | 1.53 | 2.95 | 0.59 | 16.82 |
| 100-534 | 3/4" | 2.71 | 1.95 | 3.74 | 0.79 | 34.80 |
| 100-535 | 1" | 3.30 | 2.40 | 4.75 | 0.97 | 52.20 |
| 100-536 | 1-1/4" | 3.80 | 2.59 | 4.75 | 1.23 | 112.52 |
| 100-537 | 1-1/2" | 4.16 | 3.22 | 6.00 | 1.49 | 174.00 |
| 100-538 | 2" | 5.00 | 3.40 | 6.00 | 1.99 | 255.20 |

† The CV Factor is the gallons of water per minute passed through the valve with a 1 PSI pressure drop.



Brazed Body Connection



Body-female thread brazed with special soldering temp up to 392°F. Torque 10 times more than required by asme b16.33

Material Specifications

| No. | Part Name | Materials |
|-----|---------------------|----------------------|
| 1 | Body | Hot Forged Brass |
| 2 | 2-Piece End Adapter | Hot Forged Brass |
| 3 | Ball | 316 Stainless Steel |
| 4 | Seat (2) | PTFE Carbon Graphite |
| 5 | Stem | 316 Stainless Steel |
| 6 | Packing | PTFE Carbon Graphite |
| 7 | O-Rings, (2) | Viton® |
| 8 | Packing Gland | Extruded Brass |
| 9 | Hexagonal Nut | 316 Stainless Steel |
| 10 | Handle | Coated Steel |
| 11 | Soldering Alloy | BrazeTec Soldamoll |

Pressure Rating

| | |
|-----------|------------------|
| 1/2"-3/4" | 600WOG - 250 WSP |
| 1"- 2" | 500WOG - 250 WSP |