

Lead Free Brass Ball Valve



2 Piece • Full Port • Threaded Connection • 600 WOG •
Stainless Steel Ball and Stem



JF-100TG

CRN# 0C16654.5

Features

- Dezincification resistant brass
- Gland follower and single o-ring stem design
- Blow-out proof stem
- Stainless steel ball and stem
- 100% leak tested
- Wetted surfaces contain less than .25% lead content

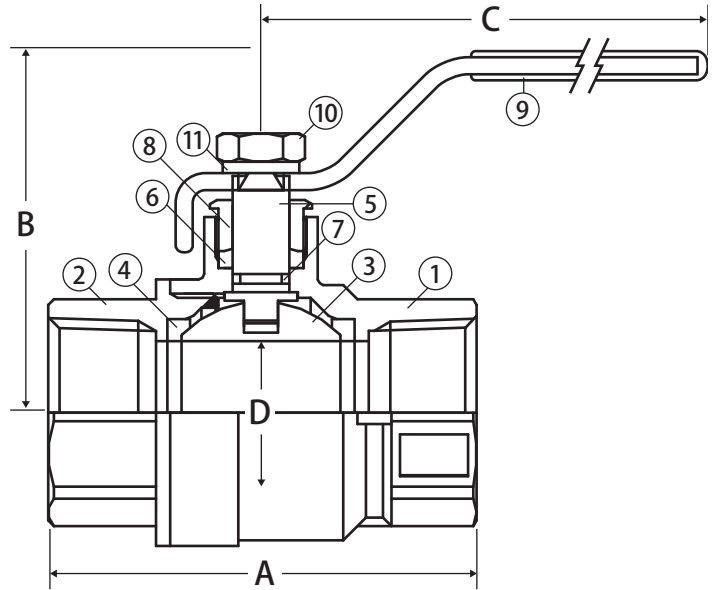
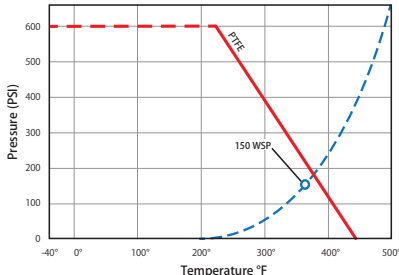
Approvals



- UL Listed up to 600 PSIG (1/4" - 1"), 300 PSIG (1-1/4" - 2"), 250 PSIG (2-1/2" - 4")
 - MHKZ - Manual valves
 - YRPV - Gas shut-off valves
 - YQNZ - Compressed gas shutoff valves
 - YRBX - Flammable liquid shutoff valves
 - YSDT - LP gas shutoff valves
- IAPMO Certified (1/4" - 4")
 - NSF/ANSI/CAN 61-8 2018
 - NSF/ANSI 372-2016
 - IAPMO/ANSI Z1157-2014
 - NSF/ANSI 14-2014
- CSA Certified
 - CGA 3.16 (125 PSIG) (1/4" - 2")
 - ANSI Z21.15 (.5 PSIG) (1/4" - 2")
 - CGA CR91 (5 PSIG) (1/4" - 2")
 - ASME B16.44 (5 PSIG) (1/4" - 2")
 - ASME B16.33 (125 PSIG) (1/2" - 2")
- MSS SP-110
- ANSI B1.20.1

Valve Seat Rating

600 WOG - 150 WSP



Material Specifications

No.	Part	Materials
1	Body	Lead Free Brass - C46500
2	End Connection	Lead Free Brass - C46500
3	Ball	304 Stainless Steel
4	Seat (2)	PTFE
5	Stem	304 Stainless Steel
6	Packing	PTFE
7	Stem O-ring	Buna-N
8	Packing Gland	Lead Free Brass - C46500
9	Handle	Steel - Chrome Plated
10	Handle Nut	Steel - Chrome Plated
11	Lock Washer	Steel - Chrome Plated

Dimensions

Part No.	Size	A	B	C	D	Cv
100-101SSG	1/4"	1.73	1.69	3.35	0.39	7.7
100-102SSG	3/8"	1.73	1.69	3.35	0.39	7.8
100-103SSG	1/2"	2.28	1.81	3.35	0.59	16.8
100-104SSG	3/4"	2.51	2.36	4.29	0.75	34.8
100-105SSG	1"	2.97	2.52	4.29	0.98	52.2
100-106SSG	1-1/4"	3.45	2.52	5.63	1.26	112.5
100-107SSG	1-1/2"	3.87	2.72	5.63	1.57	174.0
100-108SSG	2"	4.29	3.03	5.63	1.97	255.2
100-109SSG	2-1/2"	5.59	4.25	7.76	2.52	350.3
100-110SSG	3"	6.34	4.92	8.37	2.95	563.7
100-111SSG	4"	7.83	5.85	9.25	3.90	879.3



WARNING: This product can expose you to chemicals including lead, which is known to the State of California to cause cancer, and lead, which is known to the State of California to cause birth defects or other reproductive harm. For more information go to www.P65Warnings.ca.gov.