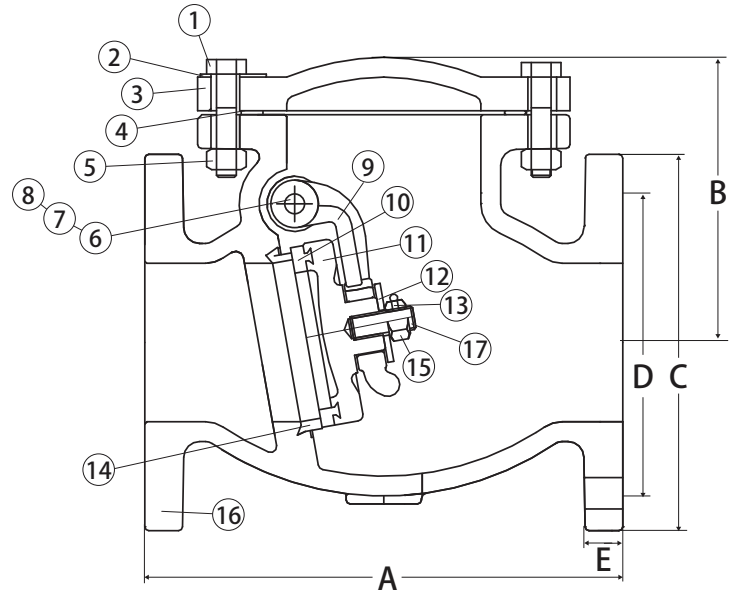


# Cast Iron Check Valve

## Horizontal Swing • Bolted Bonnet • Class 125



F-571



### Approvals

- Lead Free Compliant
- Conforms to MSS SP-71
- Flange: ANSI B16.1
- Face to Face: ASME B16.10

### Pressure Ratings

- Class 125
- Suitable for 125 PSI WSP

### Dimensions

Part No.	Size	Weight	A	B	C	D	E
105-725	2-1/2"	24	8.50	5.24	7.01	5.49	0.81
105-703	3"	44	9.50	5.67	7.52	6.00	0.88
105-704	4"	78	11.50	6.61	9.01	7.50	0.92
105-706	6"	152	14.00	8.54	10.98	9.51	1.00
105-708	8"	259	19.49	10.27	13.50	11.75	1.12
105-710	10"	417	24.49	11.30	15.98	14.25	1.19
105-712	12"	615	27.50	12.56	19.01	17.01	1.25

Install 5 pipe diameters minimum downstream from pump discharge or changes in direction to avoid flow turbulence. Flow straighteners may be required in extreme cases.

Note: On pump discharge, the preferred check valves are: inline, spring assisted, center-guided, lift checks.

### Material Specifications

No.	Part	Materials
1	Bolts	Steel - ASTM A307 B
2	Identification Plate	Aluminum
3	Bonnet	Cast Iron - ASTM A126
4	Body Gasket	Graphite
5	Nuts	Steel - ASTM A307 B
6	Side Plug	Cast Bronze - ASTM B62
7	Gasket	Fiber
8	Hanger Pin	Cast Bronze - ASTM B62
9	Hanger	Ductile Iron - ASTM A536
10	Disc Ring	Cast Bronze - ASTM B62
11	Disc	Cast Iron - ASTM A126
12	Washer	Steel - ASTM A307
13	Split Pin	Stainless Steel - ASTM 420
14	Seat Ring	Cast Bronze - ASTM B62
15	Disc Nut	Steel - ASTM A307 B
16	Body	Cast Iron - ASTM A126
17	Stud Bolt	Steel - ASTM A307 B