

Cast Iron Gate Valve



Bolted Bonnet • Solid Wedge • OS & Y • Class 125



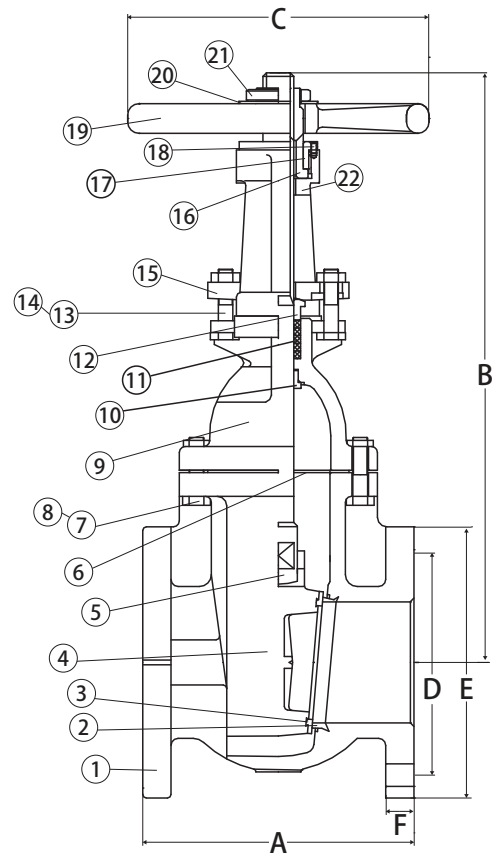
F-361

Approvals

- Lead Free Compliant
- Conforms to MSS SP-70
- Face to Face: ANSI B16.10
- Flange: ASME B16.1

Pressure Rating

- Class 125
- Suitable for 125 PSI WSP



Material Specifications

| No. | Part | Materials |
|-----|----------------------|---------------------------|
| 1 | Body | Cast Iron - ASTM A126 B |
| 2 | Seat Rings | Lead Free Bronze - C89835 |
| 3 | Wedge Face Rings | Brass |
| 4 | Wedge | Cast Iron - ASTM A126 B |
| 5 | Stem | Stainless Steel - SS410 |
| 6 | Body Gaskets | Graphite |
| 7 | Bolts | Steel - ASTM A307 B |
| 8 | Nuts | Steel - ASTM A307 B |
| 9 | Bonnet | Cast Iron - ASTM A126 B |
| 10 | Back Seat Bushing | Cast Bronze - ASTM B62 |
| 11 | Packing | Graphite |
| 12 | Packing Gland | Brass |
| 13 | Gland Follower Bolts | Steel - ASTM A307 B |
| 14 | Gland Follower Nuts | Steel - ASTM A307 B |
| 15 | Gland Follower | Ductile Iron |
| 16 | Yoke Bushing | Cast Bronze - ASTM B62 |
| 17 | Yoke Bushing Nut | Cast Iron - ASTM A126 B |
| 18 | Screw | Steel - ASTM A307 B |
| 19 | Hand Wheel | Cast Iron - ASTM A126 B |
| 20 | Identification Plate | Aluminum |
| 21 | Hand Wheel Nut | Ductile Iron |
| 22 | Yoke | Cast Iron - ASTM A126 B |

Dimensions

| Part No. | Size | Weight | A | B | C | D | E | F |
|----------|--------|--------|-------|-------|-------|-------|-------|------|
| 103-625 | 2-1/2" | 48 | 7.50 | 16.93 | 7.01 | 5.49 | 7.01 | 0.81 |
| 103-603 | 3" | 59 | 8.00 | 19.09 | 7.87 | 6.00 | 7.52 | 0.88 |
| 103-604 | 4" | 105 | 9.00 | 24.21 | 10.00 | 7.48 | 9.01 | 0.92 |
| 103-606 | 6" | 194 | 10.50 | 32.88 | 11.82 | 9.51 | 10.98 | 1.00 |
| 103-608 | 8" | 272 | 11.50 | 39.76 | 13.70 | 11.76 | 13.50 | 1.13 |
| 103-610 | 10" | 438 | 13.00 | 48.03 | 15.75 | 14.25 | 15.98 | 1.19 |
| 103-612 | 12" | 608 | 14.02 | 56.50 | 17.00 | 17.01 | 19.01 | 1.25 |

*Height when valve is open