

Chicago Valves & Controls



FLANGED

316 STAINLESS STEEL

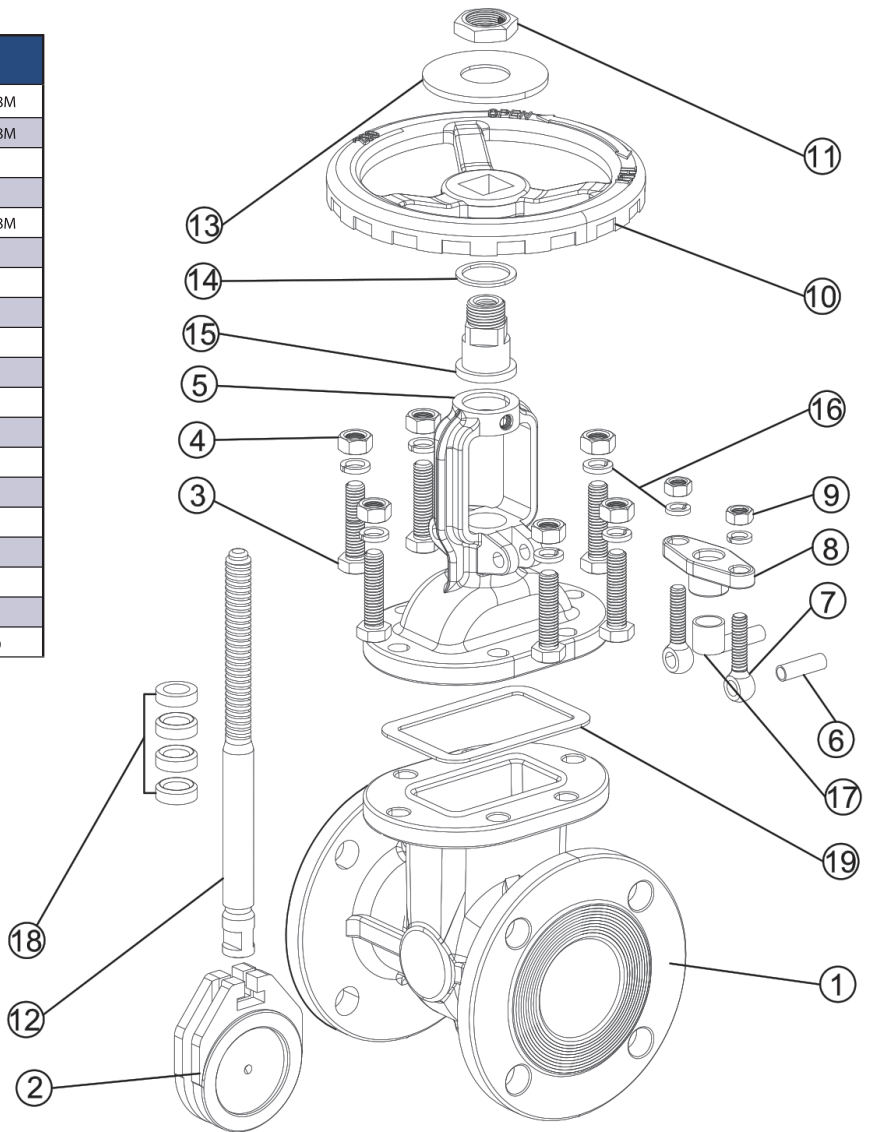
GATE, GLOBE & CHECK

CLASS 150/300
 OUTSIDE SCREW & YOKE
 BOLTED BONNET
 FLEXIBLE WEDGE FULLY GUIDED
 INTEGRATED SEATS
 RISING STEM AND NON-RISING HAND WHEEL
 AVAILABLE WITH GEAR OPERATOR

Series 216

PARTS & MATERIAL

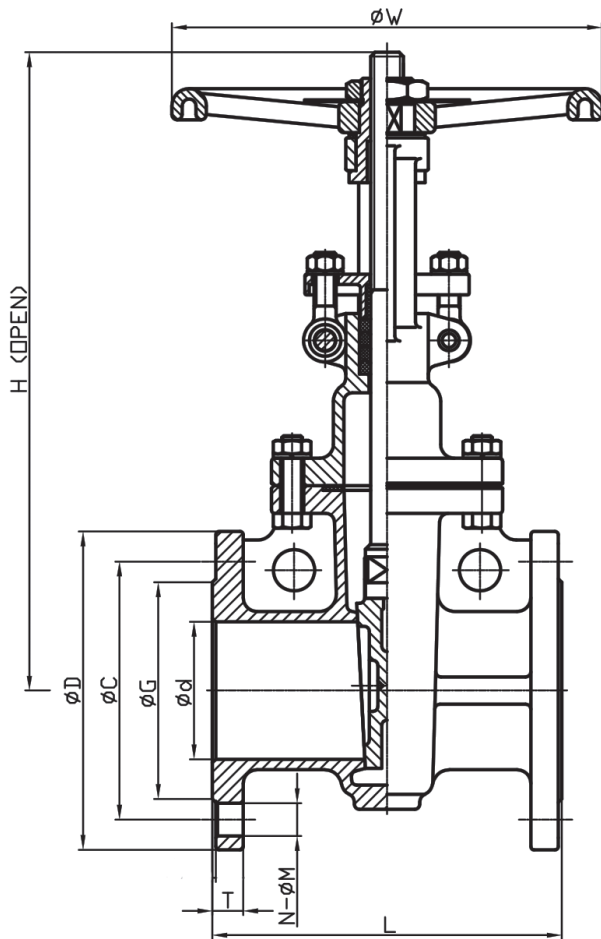
PART NO.	PART NAME	QTY.	MATERIAL
1	Body	1	316 Stainless Steel ASTM A351 CF8M
2	Disc	1	316 Stainless Steel ASTM A351 CF8M
3	Bolt	SEE TABLE	304 Stainless Steel
4	Nut	SEE TABLE	304 Stainless Steel
5	Bonnet	1	316 Stainless Steel ASTM A351 CF8M
6	Hinge Pin	2	304 Stainless Steel
7	Eye Bolt	2	304 Stainless Steel
8	Gland	1	304 Stainless Steel
9	Eye Nut	2	304 Stainless Steel
10	Hand Wheel	1	FCD
11	Nut	1	Bronze
12	Stem	1	A182 316 Stainless Steel
13	Name Plate	1	304 Stainless Steel
14	Gasket	1	Bronze
15	Yoke Sleeve	1	Bronze
16	Spring Washers	SEE TABLE	304 Stainless Steel
17	Stem Bushing	1	PTFE (Graphite Optional)
18	Gland Packing	4	PTFE (Graphite Optional)
19	Gasket	1	RTFE (Grafoil+316 Stainless Steel Optional)



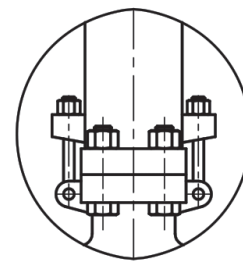
APPLICABLE STANDARDS

BASIC DESIGN	ASME B16.34
FACE TO FACE DIMENSION	ASME B16.10
END FLANGE DIMENSIONS	ASME B16.5
BUTT WELD ENDS	ASME B16.25
INSPECTION & TEST	API 598

Series 216



SIZE	CV (GPM)	WEIGHT (LBS)	
		150LB	300LB
1/2"	26	7.54	11.86
3/4"	50	7.91	13.78
1"	80	10.52	15.43
1 1/2"	300	18.19	35.05
2"	360	25.07	45.99
2 1/2"	630	34.77	55.89
3"	1150	48.44	84.97
4"	2150	76.57	142.31
6"	4150	119.18	253.53
8"	5250	197.69	376.99
10"	6700	313.72	652.57
12"	9925	466.06	892.87



10" & Larger

DIMENSIONS (INCHES)

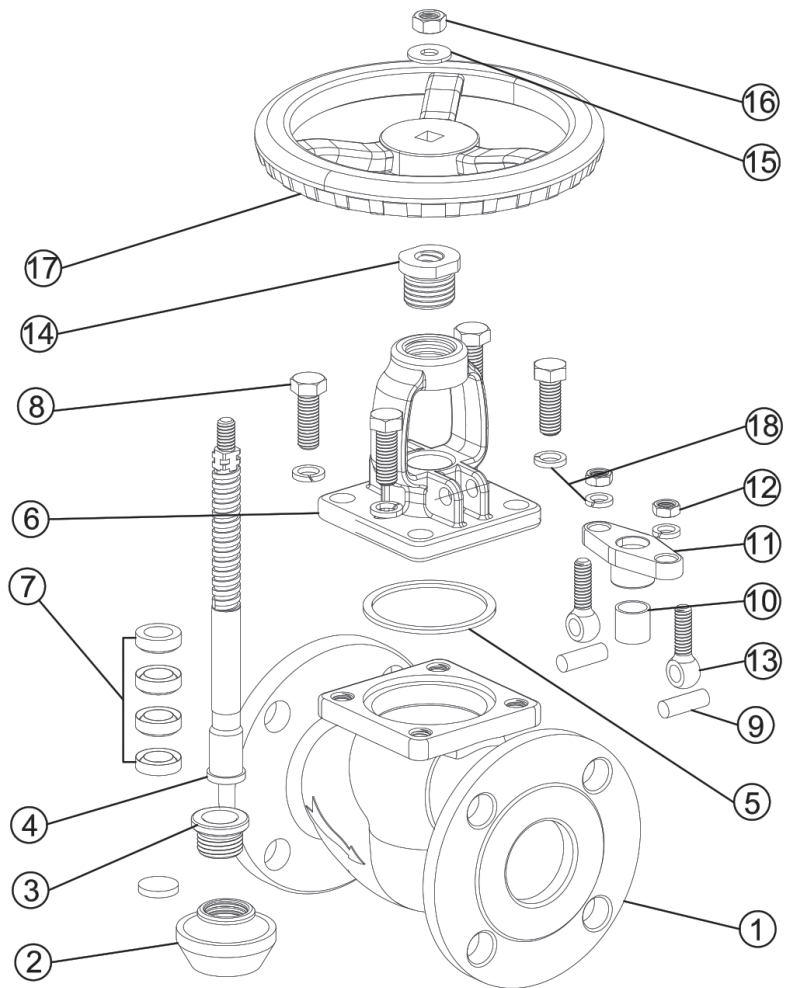
SIZE	d	L		H		W		D		C		G	T		N- \square M	
		150LB	300LB	150LB	300LB	150LB	300LB	150LB	300LB	150LB	300LB		150LB	300LB		
1/2"	0.59	4.25	5.51	7.48	9.29	4.72	4.72	3.50	3.74	2.38	2.62	1.38	0.44	0.53	4- \square 0.63	4- \square 0.63
3/4"	0.79	4.61	5.98	7.68	9.29	4.72	4.72	3.86	4.61	2.76	3.25	1.69	0.44	0.63	4- \square 0.63	4- \square 0.75
1"	0.98	5.0	6.50	9.21	9.29	4.72	4.72	4.25	1.88	3.13	3.50	2.01	0.44	0.69	4- \square 0.63	4- \square 0.75
1 1/2"	1.57	6.50	7.48	11.81	13.98	7.87	9.84	5.0	6.14	3.88	4.51	2.87	0.56	0.82	4- \square 0.63	4- \square 0.87
2"	1.97	7.01	8.50	13.03	15.75	7.87	9.84	5.98	6.50	4.74	5.0	3.62	0.63	0.88	4- \square 0.63	8- \square 0.75
2 1/2"	2.56	7.48	9.49	15.47	17.87	7.87	9.84	7.01	7.48	5.49	5.87	4.13	0.69	1.0	4- \square 0.63	8- \square 0.87
3"	3.15	7.99	11.14	18.50	19.69	9.84	9.84	7.48	8.27	6.0	6.61	5.0	0.75	1.13	4- \square 0.63	8- \square 0.87
4"	3.94	9.02	12.01	21.46	23.98	9.84	11.81	9.02	10.0	7.50	7.87	6.18	0.94	1.25	8- \square 0.87	8- \square 0.87
6"	5.91	10.51	15.87	29.13	31.18	11.81	13.78	10.98	12.52	9.51	10.63	8.50	1.0	1.44	8- \square 0.87	12- \square 0.87
8"	7.87	11.50	16.50	35.83	39.29	13.78	15.75	13.50	15.0	11.75	12.99	10.63	1.13	1.63	8- \square 0.87	12- \square 0.98
10"	9.84	12.99	17.99	43.19	49.49	15.75	19.69	15.98	17.48	14.25	15.26	12.76	1.19	1.88	12- \square 0.98	16- \square 1.14
12"	11.81	14.02	19.76	50.59	59.33	15.75	19.69	19.02	20.51	17.01	17.76	15.0	1.25	2.0	12- \square 0.98	16- \square 1.26

CLASS 150/300
 OUTSIDE SCREW & YOKE
 BOLTED BONNET
 WELDED SEAT
 YOKE INTEGRATED WITH BONNET
 FLEXIBLE DISC
 RISING STEM AND WHEEL

Series 316

PARTS & MATERIAL

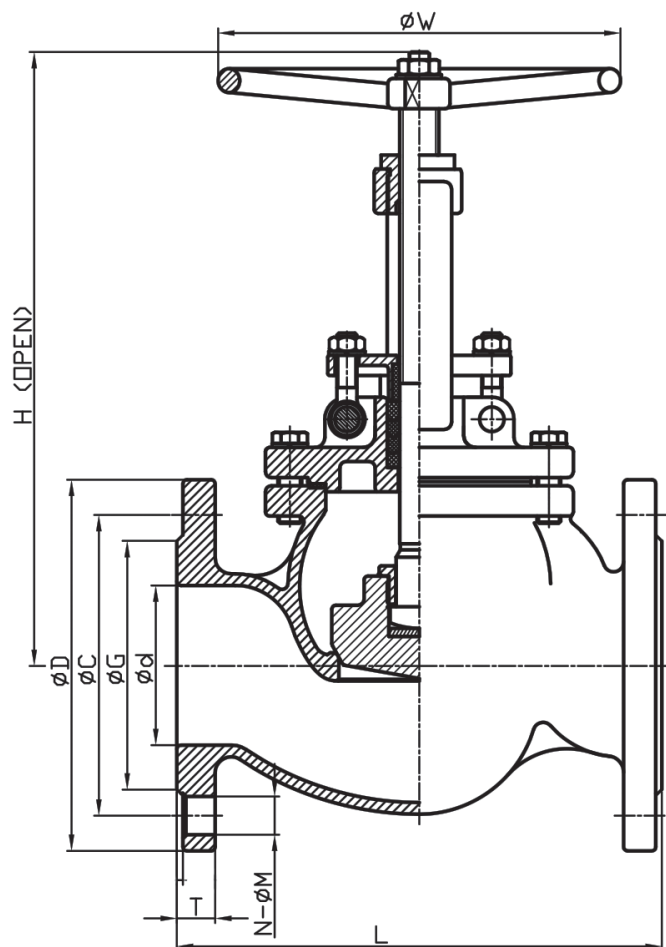
PART NO.	PART NAME	QTY.	MATERIAL
1	Body	1	316 Stainless Steel ASTM A351 CF8M
2	Disc	1	316 Stainless Steel ASTM A351 CF8M
3	Disc Cover	1	316 Stainless Steel ASTM A351 CF8M
4	Stem	1	316 Stainless Steel
5	Gasket	1	RTFE (Grafoil+316 Stainless Sheet Optional)
6	Bonnet	1	316 Stainless Steel ASTM A351 CF8M
7	Gland Packing	4	PTFE (Graphite Optional)
8	Bolt	SEE TABLE	304 Stainless Steel
9	Hinge Pin	2	304 Stainless Steel
10	Stem Bushing	1	PTFE
11	Gland	1	316 Stainless Steel ASTM A351 CF8M
12	Nut	2	304 Stainless Steel
13	Eye Bolt	2	304 Stainless Steel
14	Yoke Sleeve	1	Bronze
15	Name Plate	1	304 Stainless Steel
16	Nut	1	304 Stainless Steel
17	Hand Wheel	1	FCD400
18	Spring Washers	SEE TABLE	304 Stainless Steel



APPLICABLE STANDARDS

BASIC DESIGN	ASME B16.34
FACE TO FACE DIMENSION	ASME B16.10
END FLANGE DIMENSIONS	ASME B16.5
BUTT WELD ENDS	ASME B16.25
INSPECTION & TEST	API 598

Series 316



SIZE	CV (GPM)	WEIGHT (LBS)	
		150LB	300LB
1/2"	10	6.94	10.69
3/4"	15	8.22	13.43
1"	20	9.61	15.26
1 1/4"	33	13.89	-
1 1/2"	40	16.31	34.50
2"	55	23.32	48.06
2 1/2"	100	33.58	63.65
3"	125	45.83	81.50
4"	200	68.32	124.94
6"	450	137.06	242.07
8"	830	218.04	441.14
10"	1350	414.47	627.50

DIMENSIONS (INCHES)

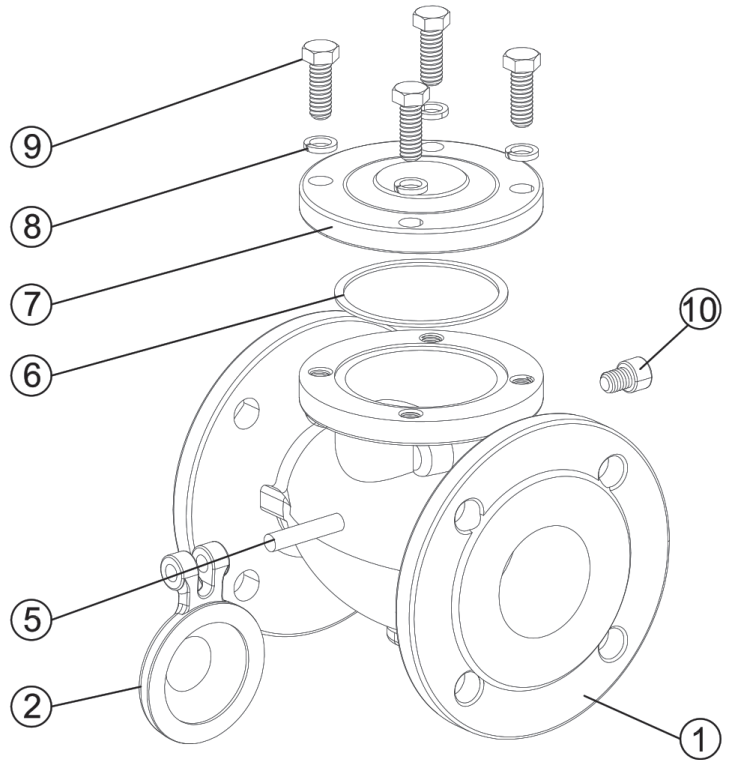
SIZE	d	L		H		W		D		C		G	T		N-ØM	
		150LB	300LB	150LB	300LB	150LB	300LB	150LB	300LB	150LB	300LB		150LB	300LB	150LB	300LB
1/2"	0.59	4.25	5.98	7.32	9.06	5.51	5.51	3.50	3.74	2.38	2.62	1.38	0.44	0.53	4-□0.63	4-□0.63
3/4"	0.79	4.61	7.01	7.32	9.06	5.51	5.51	3.86	4.61	2.76	3.25	1.69	0.44	0.63	4-□0.63	4-□0.75
1"	0.98	5.0	7.99	8.35	9.06	5.51	5.51	4.25	1.88	3.13	3.50	2.01	0.44	0.69	4-□0.63	4-□0.75
1 1/4"	1.26	5.51	-	9.57	-	6.30	-	4.61	-	3.52	-	2.52	0.50	-	4-□0.63	-
1 1/2"	1.57	6.50	9.02	9.69	12.91	6.30	9.84	5.0	6.14	3.88	4.51	2.87	0.56	0.82	4-□0.63	4-□0.87
2"	1.97	7.99	10.51	9.92	14.88	7.87	9.84	5.98	6.50	4.74	5.0	3.62	0.63	0.88	4-□0.75	8-□0.75
2 1/2"	2.56	8.50	11.50	12.13	16.18	7.87	11.81	7.01	7.48	5.49	5.87	4.13	0.69	1.0	4-□0.75	8-□0.87
3"	3.15	9.49	12.52	12.87	16.77	9.84	11.81	7.48	8.27	6.0	6.61	5.0	0.75	1.13	4-□0.75	8-□0.87
4"	3.94	11.50	14.02	15.12	20.47	9.84	11.81	9.02	10.0	7.50	7.87	6.18	0.94	1.25	8-□0.75	8-□0.87
6"	5.91	15.98	17.48	21.54	26.26	13.78	17.72	10.98	12.52	9.51	10.63	8.50	1.0	1.44	8-□0.87	12-□0.87
8"	7.87	19.49	22.01	26.34	32.64	13.78	17.72	13.50	15.0	11.75	12.99	10.63	1.13	1.63	8-□0.87	12-□0.96
10"	9.84	24.49	24.50	32.44	37.36	19.69	19.69	15.98	17.48	14.25	15.26	12.76	1.19	1.88	12-□0.98	16-□1.14

CLASS 150/300
BOLTED COVER
SWING TYPE
INTEGRAL SEAT

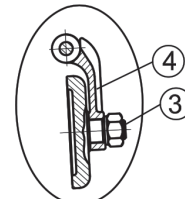
Series 416

PARTS & MATERIAL

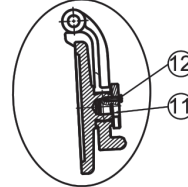
PART NO.	PART NAME	QTY.	MATERIAL
1	Body	1	316 Stainless Steel ASTM A351 CF8M
2	Disc	1	316 Stainless Steel ASTM A351 CF8M
3	Nut	1	316 Stainless Steel
4	Arm Hinge	1	316 Stainless Steel ASTM A351 CF8M
5	Hinge Pin	1	316 Stainless Steel
6	Gasket	1	RTFE (Grafoil+316 Stainless Sheet Optional)
7	Cover	1	316 Stainless Steel ASTM A351 CF8M
8	Spring Washers	SEE TABLE	304 Stainless Steel
9	Cover	SEE TABLE	304 Stainless Steel
10	Bolt	1	304 Stainless Steel
11	Disc Cap	1	316 Stainless Steel ASTM A351 CF8M
12	Bolt	1	304 Stainless Steel



150LB 1/2"-3"
300LB 1/2"-1 1/2"



150LB 4"-8"
300LB 2"-8"

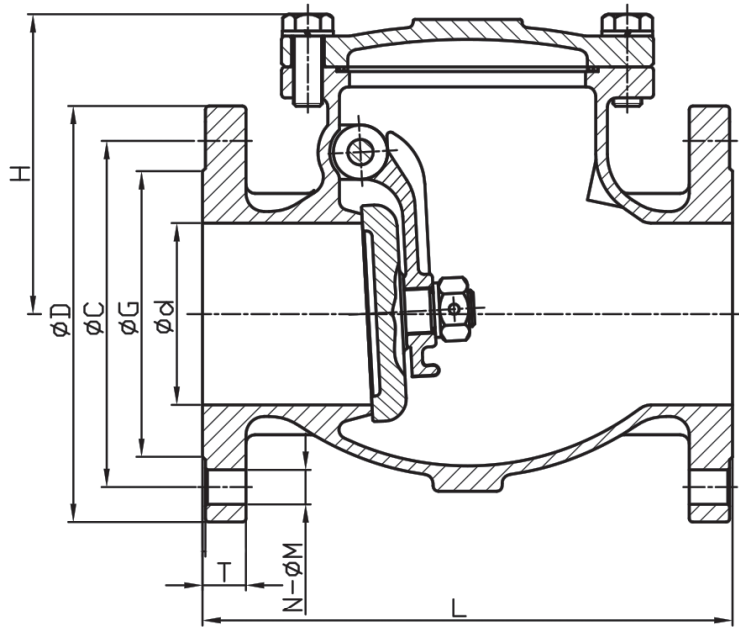


10"-12"

APPLICABLE STANDARDS

BASIC DESIGN	ASME B16.34
FACE TO FACE DIMENSION	ASME B16.10
END FLANGE DIMENSIONS	ASME B16.5
BUTT WELD ENDS	ASME B16.25
INSPECTION & TEST	API 598

Series 416



SIZE	CV (GPM)	WEIGHT (LBS)	
		150LB	300LB
1/2"	21	3.55	5.62
3/4"	37	4.30	7.83
1"	48	5.60	12.15
1 1/2"	55	10.32	21.16
2"	76	17.26	31.61
2 1/2"	108	25.51	44.75
3"	149	32.30	55.69
4"	280	61.84	101.35
6"	480	103.71	177.82
8"	770	167.55	220.46
10"	1300	295.95	479.00
12"	1678	430.78	658.00

DIMENSIONS (INCHES)

SIZE	d	L		H		D		C		G	T		N-ØM	
		150LB	300LB	150LB	300LB	150LB	300LB	150LB	300LB		150LB	300LB	150LB	300LB
1/2"	0.59	4.25	5.98	2.01	2.40	3.50	3.74	2.38	2.62	1.38	0.44	0.53	4-□0.63	4-□0.63
3/4"	0.79	4.61	7.01	2.13	2.40	3.86	4.61	2.76	3.25	1.69	0.44	0.63	4-□0.63	4-□0.75
1"	0.98	5.0	7.99	2.52	3.11	4.25	1.88	3.13	3.50	2.01	0.44	0.69	4-□0.63	4-□0.75
1 1/2"	1.57	6.50	9.49	2.95	3.66	5.0	6.14	3.88	4.51	2.87	0.56	0.82	4-□0.63	4-□0.87
2"	1.97	7.99	10.51	3.82	5.0	5.98	6.50	4.74	5.0	3.62	0.63	0.88	4-□0.75	8-□0.75
2 1/2"	2.56	8.50	11.50	4.37	5.67	7.01	7.48	5.49	5.87	4.13	0.69	1.0	4-□0.75	8-□0.87
3"	3.15	9.49	12.52	4.72	6.06	7.48	8.27	6.0	6.81	5.0	0.75	1.13	4-□0.75	8-□0.87
4"	3.94	11.50	14.02	6.38	7.72	9.02	10.0	7.50	7.87	6.18	0.94	1.25	8-□0.75	8-□0.87
6"	5.91	14.02	17.48	7.99	9.06	10.98	12.52	9.51	10.63	8.50	1.0	1.44	8-□0.87	12-□0.87
8"	7.87	19.49	20.98	9.29	10.43	13.50	15.0	11.75	12.99	10.63	1.13	1.63	8-□0.87	12-□0.98
10"	9.84	24.49	24.50	11.89	11.82	15.98	17.48	14.25	15.26	12.76	1.19	1.88	12-□0.98	16-□1.14
12"	11.81	27.48	28.00	13.39	14.81	19.02	20.51	17.01	17.76	15.0	1.25	2.0	12-□0.98	16-□1.26

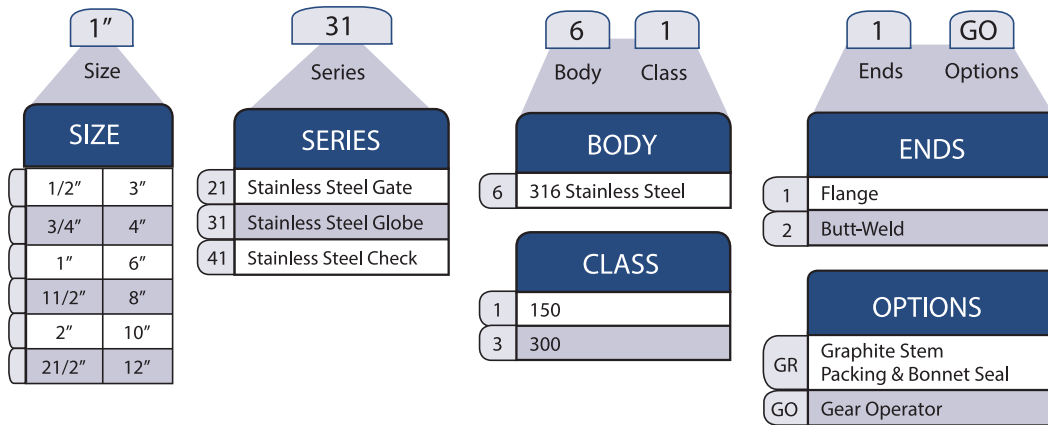
PRESSURE-TEMPERATURE RATINGS STAINLESS GATE, GLOBE & CHECK

A 316 Gr. CF8M ⁽⁶⁾

TEMP. °F	WORKING PRESSURE BY CLASS, psig						
	150	300	600	900	1500	2500	4500
-20 to 100	275	720	1,440	2,160	3,600	6,000	10,800
200	235	620	1,240	1,860	3,095	5,160	9,290
300	215	560	1,120	1,680	2,795	4,660	8,390
*400	195	515	1,025	1,540	2,570	4,280	7,705
500	170	480	955	1,435	2,390	3,980	7,165
600	140	450	900	1,355	2,255	3,760	6,770
650	125	440	885	1,325	2,210	3,680	6,625
700	110	435	870	1,305	2,170	3,620	6,515
750	95	425	855	1,280	2,135	3,560	6,410
800	80	420	845	1,265	2,110	3,520	6,335
850	65	420	835	1,255	2,090	3,480	6,265
900	50	415	830	1,245	2,075	3,460	6,230
950	35	385	775	1,160	1,930	3,220	5,795
1,000	20	365	725	1,090	1,820	3,030	5,450
1,050	20	360	720	1,080	1,800	3,000	5,400
1,100	20(a)	305	610	915	1,525	2,545	4,575
1,150	20(a)	235	475	710	1,185	1,970	3,550
1,200	20(a)	185	370	555	925	1,545	2,775
1,250	20(a)	145	295	440	735	1,230	2,210
1,300	20(a)	115	235	350	585	970	1,750
1,350	20(a)	95	190	290	480	800	1,440
1,400	20(a)	75	150	225	380	680	1,130
1,450	20(a)	60	115	175	290	485	875
1,500	15(a)	40	85	125	205	345	620

* PTFE Seals limited to 450°F, over 450°F use Graphite Seals - GR

HOW TO ORDER



Chicago Valves
& Controls



Toll-Free (833) 831-2312

Local (312) 637-3557

Fax: (312) 637-3543

E-Mail: sales@chicagovalves.com

www.chicagovalves.com

885 Cambridge Dr.

Elk Grove Village, Illinois 60007 U.S.A.