

Chicago Valves & Controls



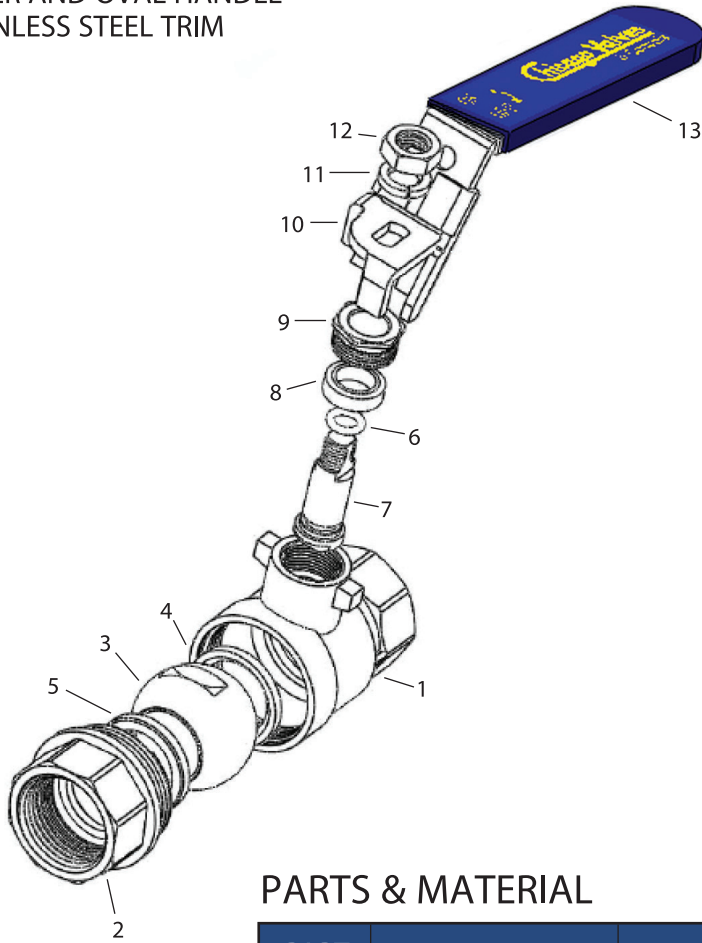
SERIES 11

FULL PORT 2 PC BRASS

BALL VALVE

600 CWP
 FORGED BRASS
 BLOWOUT PROOF STEM
 LOCKABLE LEVER AND OVAL HANDLE
 BRASS OR STAINLESS STEEL TRIM

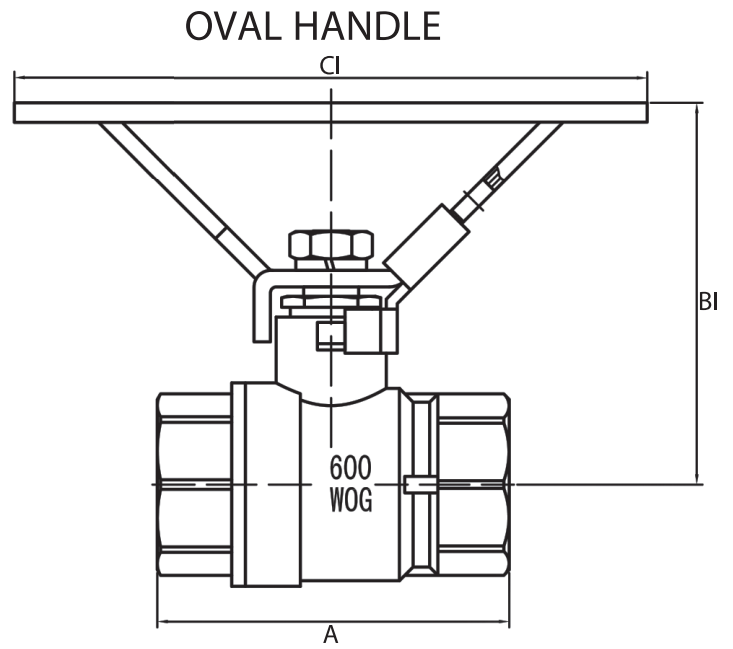
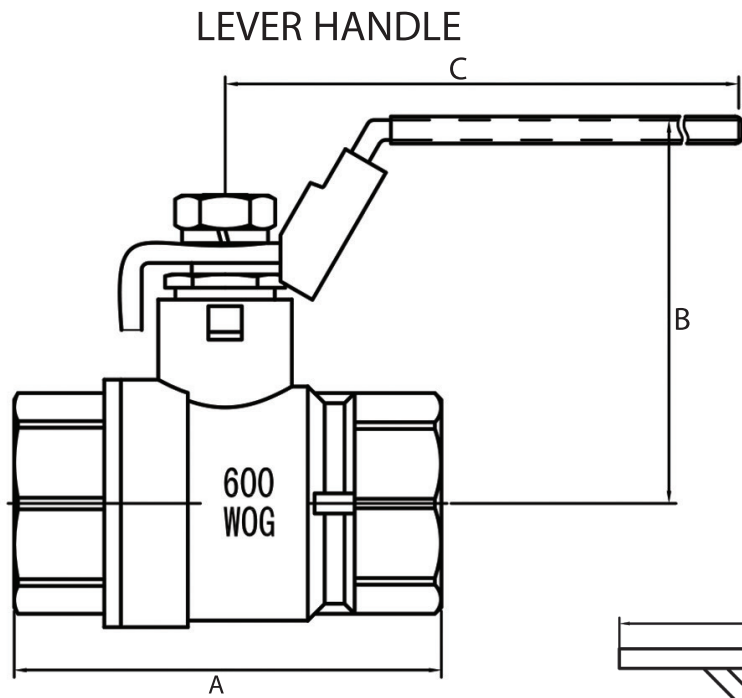
Series 11



PARTS & MATERIAL

| PART NO. | PART NAME | QTY. | MATERIAL |
|----------|---------------|------|---------------------|
| 1 | Body | 1 | Brass C37700 |
| 2 | End Piece | 1 | Brass C37700 |
| 3 | Ball | 1 | Brass/304 Stainless |
| 4 | Seat | 1 | PTFE |
| 5 | Seat/Seal | 1 | PTFE |
| 6 | O-Ring | 1 | NBR |
| 7 | Stem | 1 | Brass/304 Stainless |
| 8 | Packing | 1 | PTFE |
| 9 | Packing Nut | 1 | Brass C37700 |
| 10 | Handle | 1 | Plated Steel |
| 11 | Lock Washer | 1 | Plated Steel |
| 12 | Handle Nut | 1 | Plated Steel |
| 13 | Handle Sleeve | 1 | PVC |

Series 11



DIMENSIONS (INCHES)

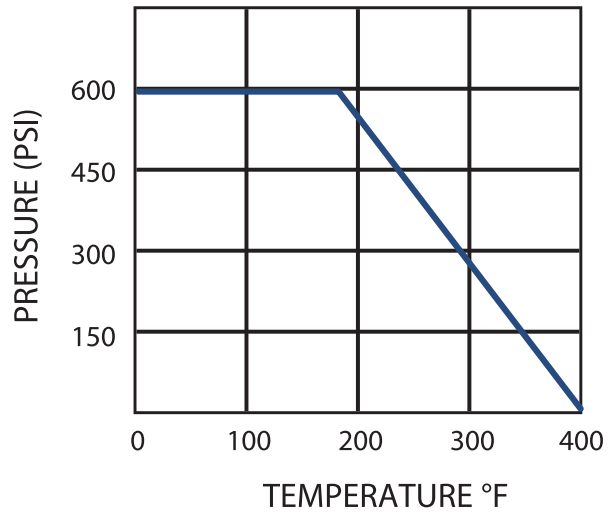
| SIZE | A | B | C | BI | CI |
|--------|------|------|------|------|------|
| 1/4" | 1.73 | 2.11 | 4.48 | 2.09 | 3.39 |
| 3/8" | 1.75 | 2.11 | 4.48 | 2.09 | 3.39 |
| 1/2" | 2.24 | 2.60 | 4.48 | 2.22 | 3.39 |
| 3/4" | 2.52 | 2.84 | 4.81 | 2.59 | 4.53 |
| 1" | 2.97 | 3.01 | 4.81 | 2.74 | 4.53 |
| 1 1/4" | 3.44 | 3.36 | 5.59 | 3.67 | 6.30 |
| 1 1/2" | 3.88 | 3.61 | 5.59 | 3.89 | 6.30 |
| 2" | 4.29 | 3.91 | 5.59 | 4.18 | 6.30 |
| 2 1/2" | 5.53 | 4.83 | 7.68 | | |
| 3" | 6.14 | 5.98 | 7.95 | | |
| 4" | 7.79 | 5.98 | 8.86 | | |

APPLICABLE STANDARDS

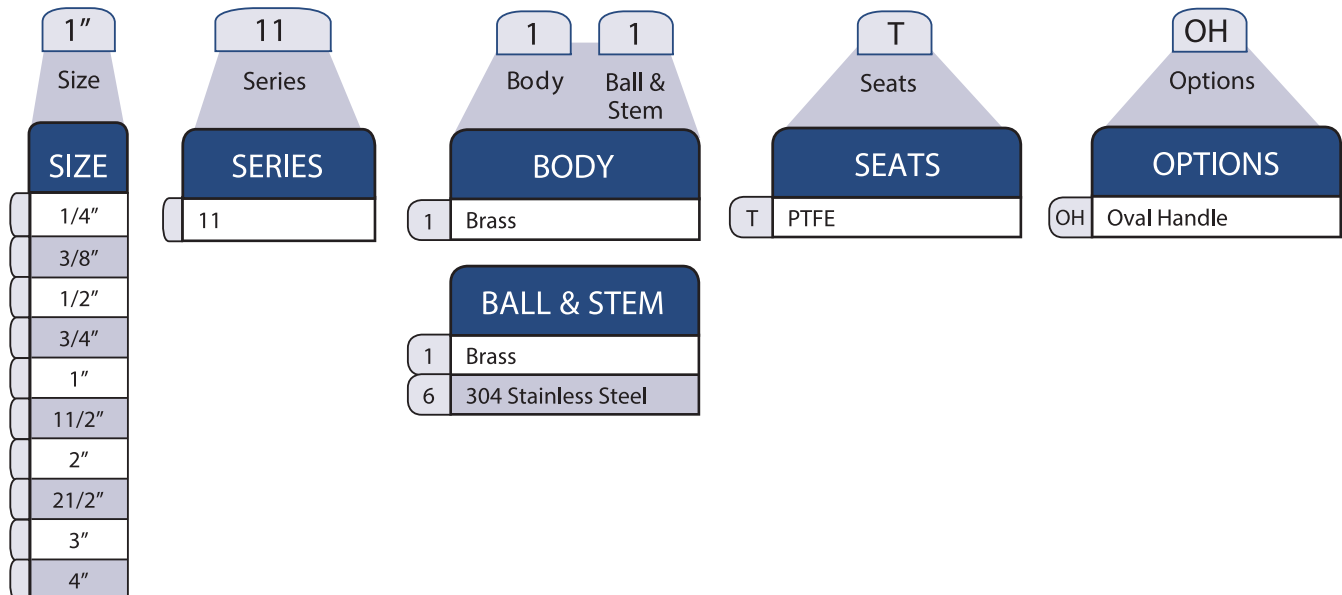
| | |
|---------------|----------------------------------|
| CSA | ANSI Z21.15/CSA 9.1 For 1/2 psig |
| CSA | ASME B16.44/CR91-002 For 5 psig |
| CSA 1/2"-2" | ASME B16.33/CGA3.16 For 125 psig |
| CSA | ASME B16.38/CGA3.16 For 125 psig |
| THREADED ENDS | ASME B16.11 |

| SIZE | CV (GPM) | WEIGHT (lbs) |
|--------|----------|--------------|
| 1/4" | 5 | 0.31 |
| 3/8" | 5 | 0.29 |
| 1/2" | 24 | 0.44 |
| 3/4" | 35 | 0.75 |
| 1" | 47 | 1.10 |
| 1 1/4" | 81 | 1.75 |
| 1 1/2" | 1.5 | 2.40 |
| 2" | 240 | 3.70 |
| 2 1/2" | 320 | 7.30 |
| 3" | 580 | 10.00 |
| 4" | 970 | 18.50 |

PRESSURE-TEMPERATURE RATING SERIES 11



HOW TO ORDER



Chicago Valves & Controls



Toll-Free (833) 831-2312

Local (312) 637-3557

Fax: (312) 637-3543

E-Mail: sales@chicagovalves.com

www.chicagovalves.com

885 Cambridge Dr.

Elk Grove Village, Illinois 60007 U.S.A.