

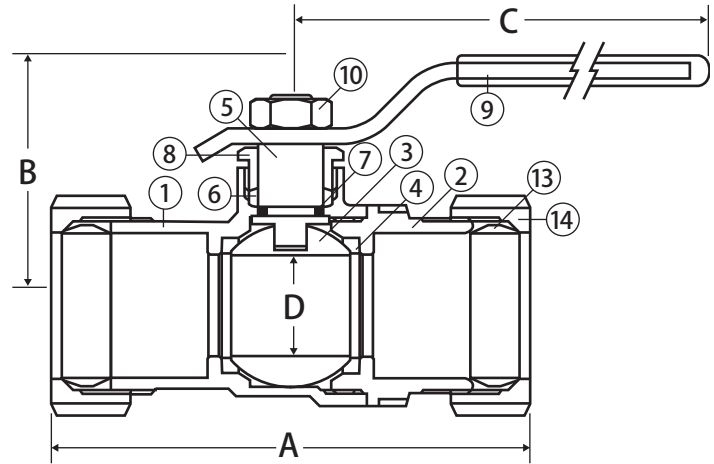
Lead Free Brass Ball Valve



2 Piece • Full Port • Compression Connection • 600 WOG •
Stainless Steel Ball and Stem • with Drain



C-402G



Features

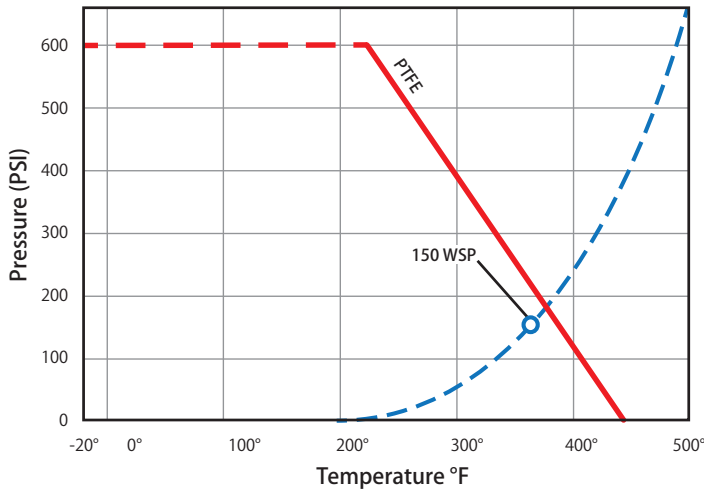
- Dezincification resistant brass
- Gland follower and single o-ring stem design
- Blow-out proof stem
- Drain feature prevents freeze-up
- Eliminates seat damage during soldering
- Compression ends for easy maintenance
- 100% leak tested
- Wetted surfaces contain less than .25% lead content

Approvals

- Lead Free Compliant
- IAPMO Certified
 - NSF/ANSI 372-2020
 - NSF/ANSI/CAN 61-2019
 - Uniform Plumbing Code (cUPC) (1/2" - 2")
 - IAPMO/ANSI Z1157-2014e1 (R2019)
 - NSF/ANSI 14-2018

Valve Seat Rating

600 WOG - 150 WSP



Material Specifications

No.	Part	Materials
1	Body	Lead Free Brass - C46500
2	End Connection	Lead Free Brass - C46500
3	Ball	304 Stainless Steel
4	Seat (2)	PTFE
5	Stem	304 Stainless Steel
6	Packing	PTFE
7	Stem O-ring	Buna-N
8	Packing Gland	Lead Free Brass - C46500
9	Handle	Steel - Chrome Plated
10	Handle Nut	Steel - Chrome Plated
11	Flat Washer*	Buna-N
12	Bleeder Cap*	Lead Free Brass - C46500
13	Compression Ring	Lead Free Brass - C46500
14	Compression Nut	Lead Free Brass - C46500

* Not shown in drawing

Dimensions

Part No.	Size	A	B	C	D
102-653G	1/2"	2.99	1.80	3.55	0.50
102-654G	3/4"	3.39	2.10	4.50	0.75
102-655G	1"	4.00	2.30	4.50	1.00