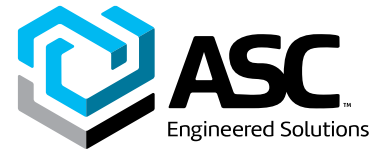


Building connections that last™



# Series CV40 & CV50

PVC In-Line Check Valves  
Datasheet



# PVC In-Line Check Valve, FIP x FIP

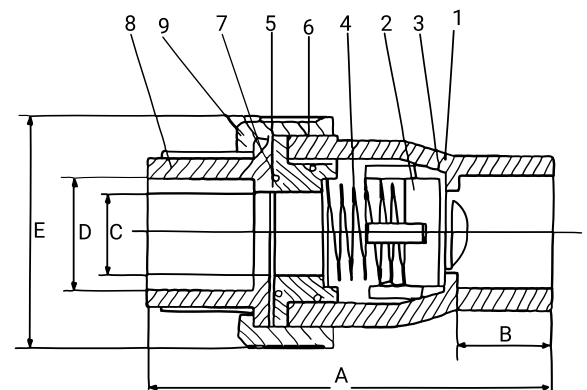
## Series CV40



- 150 psi @ 73°F
- Schedule 40 PVC
- Female threaded ends
- EPDM seal
- Spring loaded, stainless
- Check opens at 2 psi

No.	Part	Material
1	Body	PVC
2	Gate	PVC
3	Valve Seat	EPDM
4	Spring	SU316
5	Thread Spacer	PVC
6	Spacer Seal	EPDM
7	End Seal	EPDM
8	Union Connector	PVC
9	Union Nut	PVC

Size	Part Number	Weight	A	B	C	D	E
IN		LB	IN	IN	IN	IN	IN
1/2	0209CV40G	0.43	3.70	0.69	0.59	0.84	2.13
3/4	0209CV40I	0.58	4.14	0.99	0.79	1.05	2.44
1	0209CV40K	0.81	4.74	1.18	0.95	1.32	2.75
1-1/4	0209CV40L	1.27	5.37	1.18	1.18	1.66	3.26
1-1/2	0209CV40M	1.47	5.89	1.36	1.34	1.90	3.70
1	0209CV40N	2.53	7.03	1.73	1.77	2.38	4.51



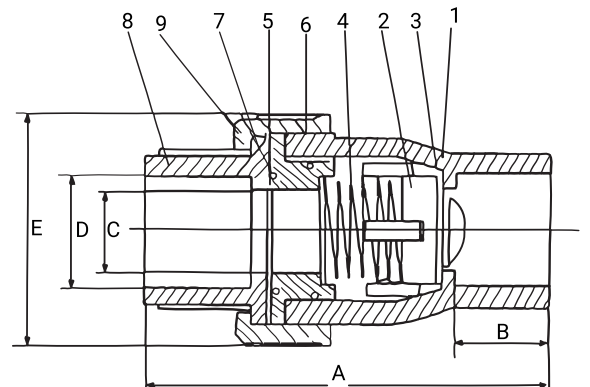
PVC In-Line Check Valve,  
Slip x Slip  
Series CV50



- 150 psi @ 73°F
- Schedule 40 PVC
- EPDM seal
- IPS socket
- Spring loaded, stainless
- Check opens at 2 psi

No.	Part	Material
1	Body	PVC
2	Gate	PVC
3	Valve Seat	EPDM
4	Spring	SU316
5	Thread Spacer	PVC`
6	Spacer Seal	EPDM
7	End Seal	EPDM
8	Union Connector	PVC
9	Union Nut	PVC

Size	Part Number	Weight	A	B	C	D	E
IN		LB	IN	IN	IN	IN	IN
1/2	0209CV50G	0.43	3.70	0.69	0.59	0.84	2.13
3/4	0209CV50I	0.58	4.14	0.99	0.79	1.05	2.44
1	0209CV50K	0.81	4.74	1.18	0.95	1.32	2.75
1-1/4	0209CV50L	1.27	5.37	1.18	1.18	1.66	3.26
1-1/2	0209CV50M	1.47	5.89	1.36	1.34	1.90	3.70
1	0209CV50N	2.53	7.03	1.73	1.77	2.38	4.51



### **About ASC Engineered Solutions**

ASC Engineered Solutions is defined by quality—in its products, services and support. With more than 1,400 employees, the company's portfolio of precision-engineered piping support, valves and connections provides products to more than 4,000 customers across industries, such as mechanical, industrial, fire protection, oil and gas, and commercial and residential construction. Its portfolio of leading brands includes ABZ Valve®, AFCON®, Anvil®, Anvil EPS, Anvil Services, Basic-PSA, Beck®, Catawissa, Cooplet®, FlexHead®, FPPI®, Gruvlok®, J.B. Smith, Merit®, North Alabama Pipe, Quadrant®, SCI®, Sharpe®, SlideLOK®, SPF® and SprinkFLEX®. With headquarters in Commerce, CA, and Exeter, NH, ASC also has ISO 9001:2015 certified production facilities in PA, TN, IL, TX, AL, LA, KS, and RI.



[asc-es.com](http://asc-es.com)

Building connections that last™

FC-DS-Series CV40-CV50-v01 20210902

