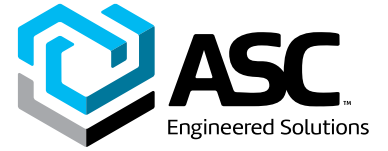


Building connections that last™



Series SC502

316 Stainless Steel Globe
Valve Datasheet

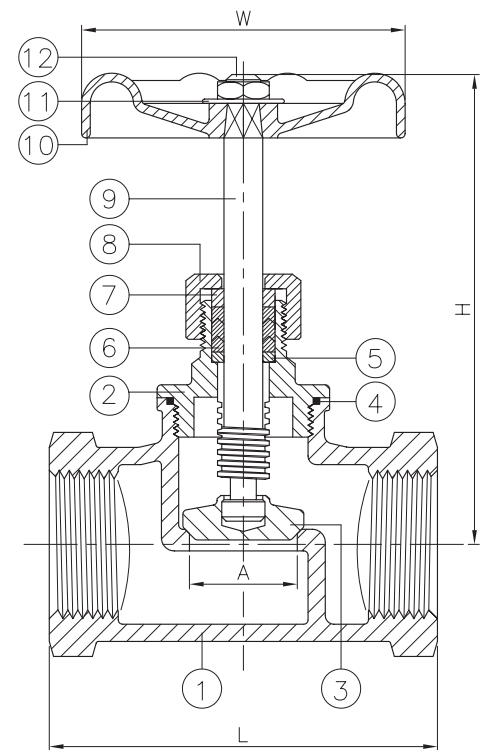


316 Stainless Steel Globe Valve Series SC502



- 200# CWP, 125# WSP
- 316 Stainless Steel
- Metal-to-Metal Seat
- Screwed in Bonnet
- Rising Stem
- ISO 9001:2008 Manufacturer
- Lead Free

No.	Part	Material
1	Body	ASTM A351 CF8M
2	Bonnet	ASTM A351 CF8M
3	Disc	ASTM A351 CF8M
4	Gasket	PTFE
5	Washer	304 Stainless Steel
6	Packing	PTFE
7	Gland	304 Stainless Steel
8	Cap Nut	316 Stainless Steel
9	Stem	316 Stainless Steel
10	Handle	Aluminum
11	Nameplate	Aluminum
12	Stem Nut	304 Stainless Steel



Size	Part Number	Weight	W	L	H	A
IN		LB	IN	IN	IN	IN
½	SC502G	0.7	2.76	2.05	4.21	0.54
¾	SC502I	1.0	3.15	2.60	4.57	0.69
1	SC502K	1.4	3.15	2.99	5.09	0.89
1-¼	SC502L	1.5	3.54	3.39	6.04	1.16
1-½	SC502M	2.8	3.94	3.70	6.18	1.2
2	SC502N	4.7	3.94	4.65	6.77	1.67

About ASC Engineered Solutions

ASC Engineered Solutions is defined by quality—in its products, services and support. With more than 1,400 employees, the company's portfolio of precision-engineered piping support, valves and connections provides products to more than 4,000 customers across industries, such as mechanical, industrial, fire protection, oil and gas, and commercial and residential construction. Its portfolio of leading brands includes ABZ Valve®, AFCON®, Anvil®, Anvil EPS, Anvil Services, Basic-PSA, Beck®, Catawissa, Cooplet®, FlexHead®, FPPI®, Guvlok®, J.B. Smith, Merit®, North Alabama Pipe, Quadrant®, SCI®, Sharpe®, SlideLOK®, SPF® and SprinkFLEX®. With headquarters in Commerce, CA, and Exeter, NH, ASC also has ISO 9001:2015 certified production facilities in PA, TN, IL, TX, AL, LA, KS, and RI.



asc-es.com

Building connections that last™

FC-DS-Series SC502-v01 20210909

