

Fig. S3714E & S3716E - 90° Elbow

Size in	Part Number		A in	Packing		Weight lb
	304	316		Inner	Master	
1/2	S3714E 004	S3716E 004	1.06	20	80	0.3
3/4	S3714E 006	S3716E 006	1.24	15	60	0.5
1	S3714E 010	S3716E 010	1.42	5	20	0.9
1-1/4	S3714E 012	S3716E 012	1.65	5	20	1.3
1-1/2	S3714E 014	S3716E 014	1.89	2	8	1.6
2	S3714E 020	S3716E 020	2.20	2	8	2.2
2-1/2	S3714E 024	S3716E 024	2.68	-	1	4.3
3	S3714E 030	S3716E 030	3.03	-	1	6.3

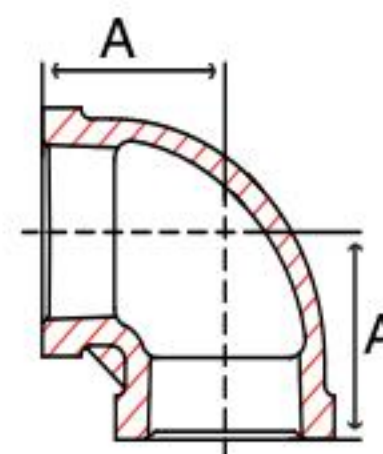


Fig. S3714F & S3716F - 45° Elbow

Size in	Part Number		A in	Packing		Weight lb
	304	316		Inner	Master	
1/2	S3714F 004	S3716F 004	0.87	30	120	0.2
3/4	S3714F 006	S3716F 006	1.00	20	80	0.4
1	S3714F 010	S3716F 010	1.12	10	40	0.6
1-1/4	S3714F 012	S3716F 012	1.31	5	20	1.0
1-1/2	S3714F 014	S3716F 014	1.43	4	16	1.5
2	S3714F 020	S3716F 020	1.68	2	8	2.0

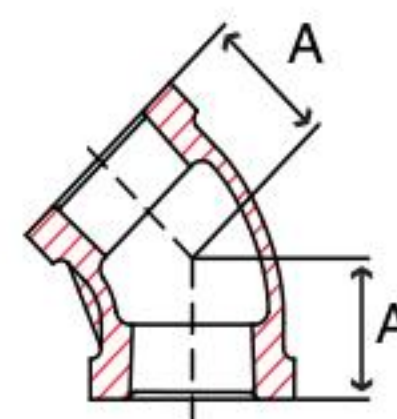


Fig. S3714T & S3716T - Tee

Size in	Part Number		A in	Packing		Weight lb
	304	316		Inner	Master	
1/2	S3714T 004	S3716T 004	1.06	20	80	0.4
3/4	S3714T 006	S3716T 006	1.24	10	40	0.7
1	S3714T 010	S3716T 010	1.42	5	20	1.1
1-1/4	S3714T 012	S3716T 012	1.65	2	8	1.9
1-1/2	S3714T 014	S3716T 014	1.89	2	8	2.1
2	S3714T 020	S3716T 020	2.20	-	1	3.3
2-1/2	S3714T 024	S3716T 024	2.68	-	1	5.9
3	S3714T 030	S3716T 030	3.03	-	1	9.3

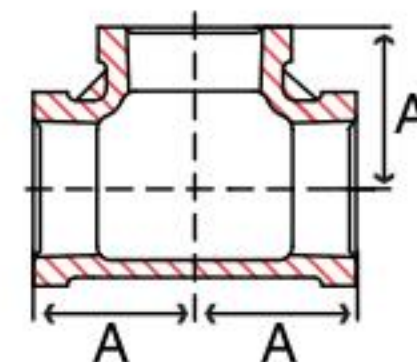


Fig. S3714U & S3716U - Union

Size in	Part Number		A in	B in	Packing		Weight lb
	304	316			Inner	Master	
1/2	S3714U 004	S3716U 004	1.46	1.46	20	80	0.4
3/4	S3714U 006	S3716U 006	1.56	1.81	10	40	0.5
1	S3714U 010	S3716U 010	1.85	2.05	5	20	0.9
1-1/4	S3714U 012	S3716U 012	2.05	2.52	2	8	1.3
1-1/2	S3714U 014	S3716U 014	2.19	2.76	2	8	2.0
2	S3714U 020	S3716U 020	2.50	3.39	2	8	3.0

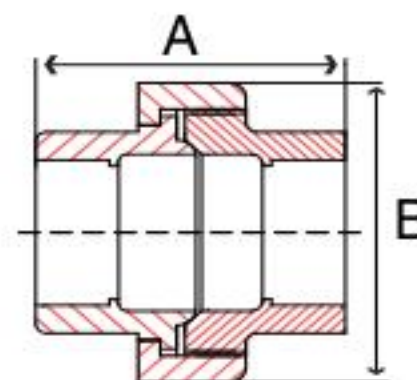


Fig. 3714RC & 3716RC - Reducing Coupling

Size in	Part Number		A in	Packing		Weight lb
	304	316		Inner	Master	
3/4 x 1/2	S3714RC006004	S3716RC006004	1.42	15	60	0.3
1 x 1/2	S3714RC010004	S3716RC010004	1.54	15	60	0.6
1 x 3/4	S3714RC010006	S3716RC010006	1.57	15	60	0.6
1-1/4 x 1	S3714RC012010	S3716RC012010	1.77	10	40	0.7
1-1/2 x 1	S3714RC014010	S3716RC014010	1.85	10	40	0.8
1-1/2 x 1-1/4	S3714RC014012	S3716RC014012	1.93	10	40	0.8
2 x 1	S3714RC020010	S3716RC020010	1.93	2	8	1.6
2 x 1-1/2	S3714RC020014	S3716RC020014	2.01	2	8	1.6

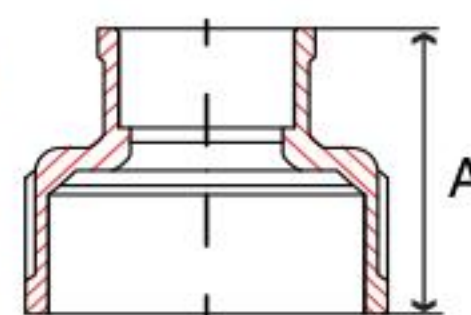
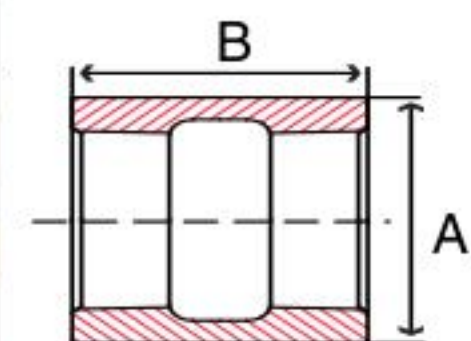


Fig. 3714CP & 3716CP - Full Coupling

Size in	Part Number		A in	B in	Packing		Weight lb
	304	316			Inner	Master	
1/2	S3714CP004	S3716CP004	1.20	1.38	50	200	0.1
3/4	S3714CP006	S3716CP006	1.46	1.50	35	140	0.2
1	S3714CP010	S3716CP010	1.77	1.62	15	60	0.4
1-1/4	S3714CP012	S3716CP012	2.15	2.00	10	40	0.5
1-1/2	S3714CP014	S3716CP014	2.43	2.12	10	40	0.6
2	S3714CP020	S3716CP020	2.96	2.50	2	8	1.3
2-1/2	S3714CP024	S3716CP024	3.31	2.87	-	1	2.3
3	S3714CP030	S3716CP030	4.00	3.18	-	1	3.3



STANDARD 150#