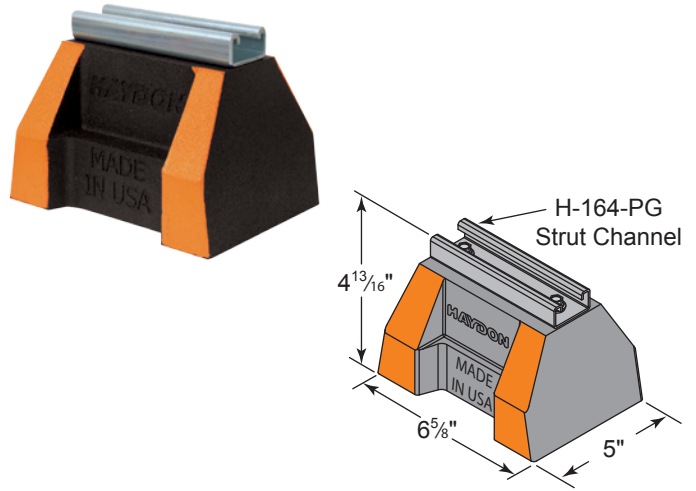


HBM-Support With $1\frac{3}{16}$ " H-164 Pre-Galv. Steel Channel

The HBM-Support Series is UV resistant and suitable for installation on most types of roofing material or other flat surfaces. A cost-effective method for mounting and supporting single pipe applications without losing strength and integrity.

Specifications – H-Block Support

- Material - 100% recycled rubber,
- Economical
- Versatile
- Used for single pipe applications
- Mounting and supporting without losing strength or integrity
- Made from 100% post-consumer recycled materials
- Corners coated with high visibility safety ANSI orange



HBM-SUPPORT WITH $1\frac{3}{16}$ " H-164 PRE-GALV. STEEL CHANNEL

Model No.	Height	Width	Base Length	Weight (Lbs)	Uniform Load Capacity (Lbs) *
HBM-5-H-164-PG	4- $\frac{13}{16}$ " (122mm)	5" (127mm)	6- $\frac{5}{8}$ " (168mm)	2.90 lbs.	400 *

* This load is only for the capacity of the components in this assembly. Please consult roofing manufacturer or engineer for roof load capacity

SPECIFICATIONS

MATERIAL

- H-BLOCK is 100% Recycled Rubber
 - All 4 corners coated with ANSI #2535.1-1998 orange
- H-STRUT channels are produced from prime structural steel covered by the following specifications.

- Pre-Galvanized SteelASTM A-653
- Plain SteelASTM A-1011-SS
- Aluminum (Type 6063T6)ASTM B-221
- Stainless Steel (Type 304 & 316) ASTM A-240

Other materials and specifications available on request.

TESTING

Rooftop Supports Have Been Tested By An Accredited Independent Laboratory To The Following:
 ASTM D575 Method B – Modified – Compression/Deflection
 ASTM D1171 Modified – Ozone Resistance
 Freeze/Thaw Environmental Simulation

FINISHES

All H-STRUT channels are stocked in pre-galvanized and powder coated Supr-Green. Some sizes are stocked in zinc trivalent chromium, PVC or hot dipped galvanized.

- Hot Dipped Galvanized.ASTM A-123
- Zinc Trivalent ChromiumASTM B-633-85
- Powder Coated Supr-Green.ASTM B-117
- PVC Coating 40 ML Thickness - Available Upon Request

Project Information		
Project:	Notes:	
Address:		
Contractor:		
Engineer:		
	Date:	
Approval		
<input type="checkbox"/> Approved	Signature:	Remarks:
<input type="checkbox"/> Approved as Noted		
<input type="checkbox"/> Not Approved		