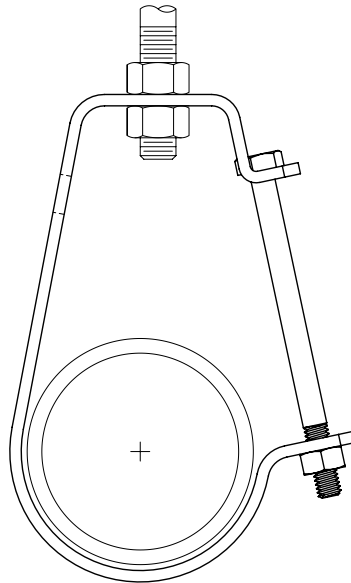


Light Duty J-Hanger Fig. 005G



Size Range: ½" through 4" NPS

Material: Carbon Steel

Finish: Electro-Galvanized

Service: Recommended for the suspension of stationary pipe.

Maximum Temperature: 450° F

Approvals: MSS SP-58 (Type-5)

Installation: Can be suspended by hanger rod or attached to wall. "T" slot in Hanger permits side bolt to be installed after installation and setting of pipe.

Ordering: Nominal pipe size and figure number.



Fig. 005G: Dimensions (in) Loads (lbs) • Rod Size (in)

Pipe Size	Max Load	Rod Size
½	150	⅜
¾	150	⅜
1	150	⅜
1¼	150	⅜
1½	150	⅜
2	150	⅜
2½	150	½
3	200	½
4	250	⅝

PROJECT INFORMATION	APPROVAL STAMP
Project:	Approved
Address:	Approved as noted
Contractor:	Not approved
Engineer:	Remarks:
Submittal Date:	
Notes 1:	
Notes 2:	