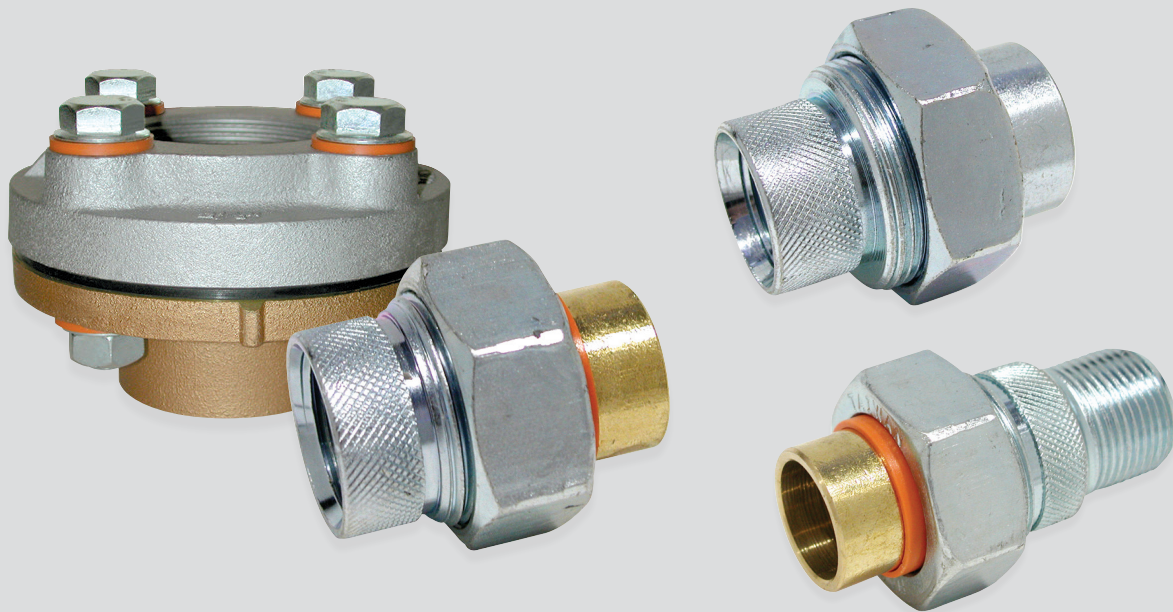


Building connections that last™

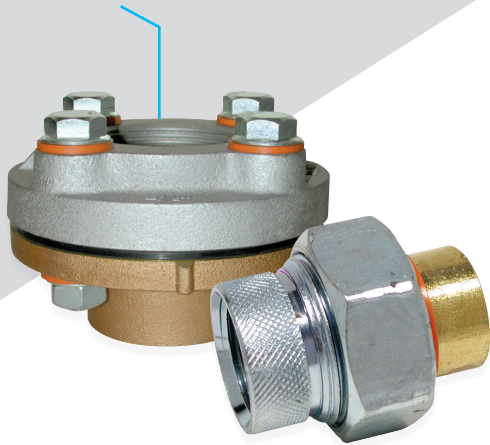


Series 209FXL, 209FFL & 209MXL

Lead-Free Dielectric Unions Datasheet



Lead-Free Dielectric Union (FIP x Solder) Series 209FXL



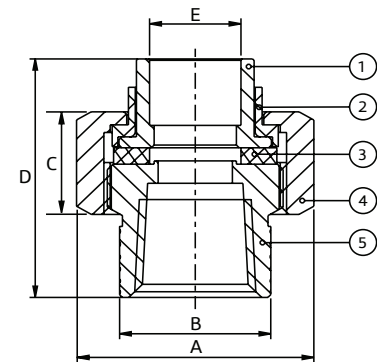
Design Features

- California AB1953 lead-free approved
- Meets Federal Safe Water Drinking Water Act, lead-free requirements
- Prevents electrolysis
- Full flow
- Forged carbon steel nut, zinc plated (1/2"-2")
- Forged carbon steel IPS connection, zinc plated (1/2"-2")
- Working Pressure: 250psi @ 73°F (23°C)

Parts & Materials (1/2" - 2")

No.	Part	Material
1	Solder End	Lead-Free Brass ASTM B-124 C46400
2	Insulator	Nylon
3	Washer	EPDM
4	Coupling Nut	Steel
5	FIP Adapter	Steel

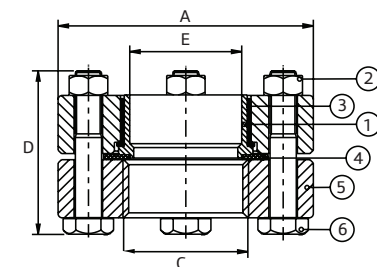
1/2" to 2"



Parts & Materials (2-1/2" - 3")

No.	Part	Material
1	Solder Connection	Lead-Free Cast Brass, Alloy C89550
2	Nut	Steel, AISI 1010
3	Insulator	Nylon + Fiberglass Grilon TV-3H
4	Washer	EPDM
5	FIP Flange	Ductile Iron
6	Bolt	Steel, AISI 1010

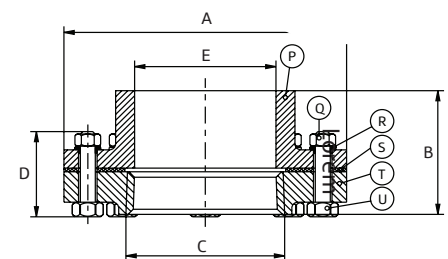
2-1/2" to 3"



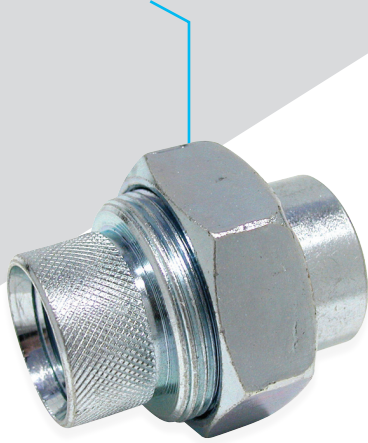
Dimensions

Size	Part Number	Weight	A	B	C	D	E
In		Lb	In	In	In	In	In
1/2	0209FXGL	0.30	1.45	1.04	0.77	1.81	0.63
3/4	0209FXIL	0.43	1.64	1.26	0.78	2.05	0.88
1	0209FXKL	0.59	1.85	1.54	0.86	2.28	1.13
1-1/4	0209FXLL	0.86	2.56	1.86	0.88	2.54	1.37
1-1/2	0209FXML	1.42	2.95	2.15	0.97	2.70	1.63
2	0209FXNL	2.67	3.76	2.58	1.11	3.08	2.13
2-1/2	0209FXPL	13.22	6.00	3.03	2.88	3.88	2.63
3	0209FXQL	15.65	6.61	3.03	3.50	3.88	3.13
4	0209FXTL	27.91	9.00	4.10	4.50	2.76	4.13

4"



Lead-Free Female IPS x Female IPS Dielectric Union Series 209FFL



Design Features

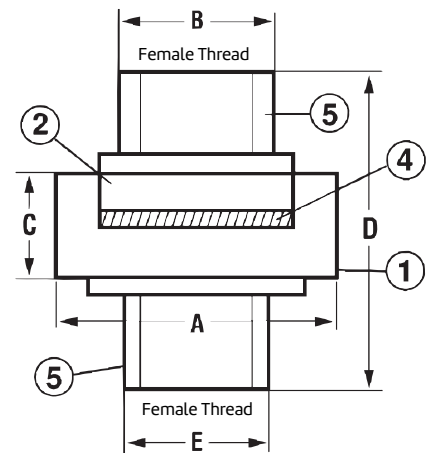
- California AB1953 lead-free approved
- Meets Federal Safe Water Drinking Water Act, lead-free requirements
- Prevents electrolysis
- Full flow
- Forged carbon steel nut, zinc plated
- Forged carbon steel IPS connections, zinc plated
- Working Pressure: 250psi @ 73°F (23°C)

Parts & Materials

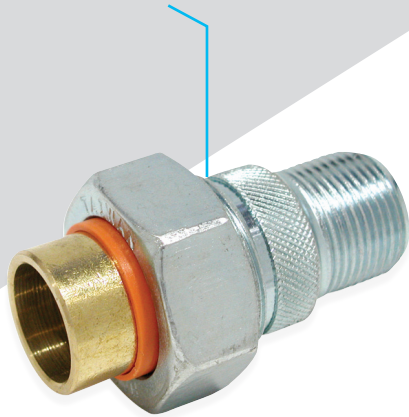
No.	Part	Material
1	Nut	Forged Carbon Steel ASTM A 197
2	Insulator	Nylon + Fiberglass Grilon TV-3H
4	Washer	EPDM Rubber
5	FIP Inlet	Forged Carbon Steel ASTM A 197

Dimensions

Size	Part Number	Weight	A	B	C	D	E
In		Lb	In	In	In	In	In
1/2	0209FFGL	0.485	1.85	1.04	0.72	2.06	1.04
3/4	0209FFIL	0.639	2.13	1.24	0.72	2.22	1.24
1	0209FFKL	1.027	2.56	1.54	0.85	2.50	1.54



Lead-Free Male Iron Pipe x Brass Sweat Dielectric Union Series 209MXL



Design Features

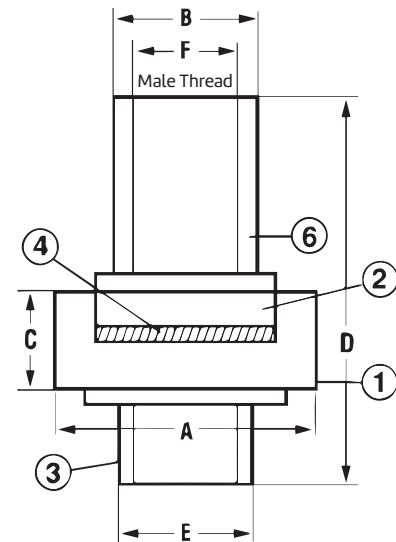
- California AB1953 lead-free approved
- Meets Federal Safe Water Drinking Water Act, lead-free requirements
- Prevents electrolysis
- Full flow
- Forged carbon steel nut, zinc plated
- Forged carbon steel IPS connection, zinc plated
- Brass joint connection
- Working Pressure: 250psi @ 73°F (23°C)

Parts & Materials

No.	Part	Material
1	Nut	Forged Carbon Steel ASTM A197
2	Insulator	Nylon + Fiberglass Grilon TV-3H
3	Solder Joint	Brass ASTM B-124
4	Washer	EPDM Rubber
6	MIP Inlet	Forged Carbon Steel ASTM A197

Dimensions

Size	Part Number	Weight	A	B	C	D	E	F
In		Lb	In	In	In	In	In	In
½	0209MXGL	0.46	1.63	0.82	0.72	2.83	0.80	0.70
¾ x ½	0209MXIGL	0.568	1.85	1.02	0.72	2.75	0.80	0.70
1	0209MXKL	0.577	1.85	1.02	0.72	2.92	1.04	0.84



About ASC Engineered Solutions

ASC Engineered Solutions is defined by quality—in its products, services and support. With more than 1,400 employees, the company's portfolio of precision-engineered piping support, valves and connections provides products to more than 4,000 customers across industries, such as mechanical, industrial, fire protection, oil and gas, and commercial and residential construction. Its portfolio of leading brands includes ABZ Valve®, AFCON®, Anvil®, Anvil EPS, Anvil Services, Basic-PSA, Beck®, Catawissa, Cooplet®, FlexHead®, FPPI®, Gruvlok®, J.B. Smith, Merit®, North Alabama Pipe, Quadrant®, SCI®, Sharpe®, SlideLOK®, SPF® and SprinkFLEX®. With headquarters in Commerce, CA, and Exeter, NH, ASC also has ISO 9001:2015 certified production facilities in PA, TN, IL, TX, AL, LA, KS, and RI.



asc-es.com

Building connections that last™

FC-DS-Series-209FXL-209FFL-209MXL-v01 20211209

