

Building connections that last™



# Series 8501 & Series 8502

Brass Gate Valves, Threaded  
& Sweat Datasheet



**SCI**

An ASC Engineered Solution

# Brass Gate Valve, Threaded Series 8501



## Design Features

- 200 lb. CWP, 125 lb. WSP
- Full port (¼" to 3")
- Cast brass
- Screwed in bonnet
- Non-rising brass stem
- Approved to ANSI/NSF 61-8
- ISO 9001:2008 manufacturer

**Note:** Product contains brass which does not meet federal and state requirements for drinking water.

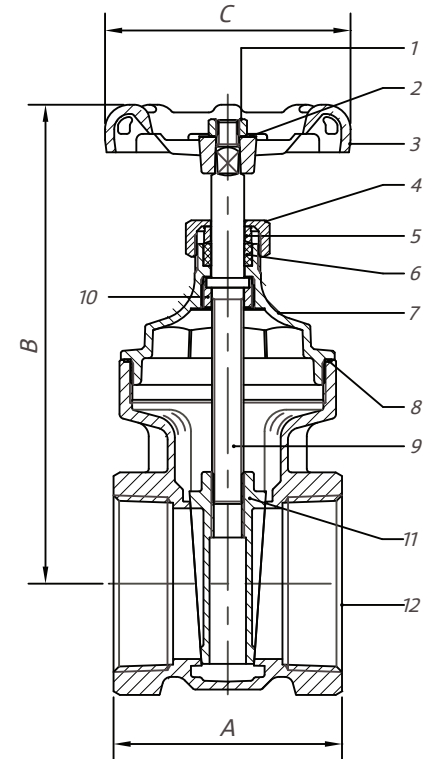
**! WARNING:** Cancer and Reproductive Harm – [www.P65Warnings.ca.gov](http://www.P65Warnings.ca.gov)

## Parts & Materials

No.	Part	Material
1	Wheel Nut	Hot Rolled SAE 1010R
2	Name Plate	Aluminium
3	Hand-Wheel	Cast Iron
4	Packing Nut	Brass B16 C36000
5	Gland Ring	Brass B16 C36000
6	Gland Packing	PTFE
7	Bonnet	Brass B584 C85700
8	Packing	Fibre
9	Stem	Brass B16 C36000 (¼" to 2") Brass B584 C85700 (2-½" to 4")
10	Lock Nut	Brass B16 C36000
11	Disc	Brass B584 C85700
12	Body	Brass B584 C85700

## Dimensions

Size	Part Number	Weight	A	B	C
In		Lb	In	In	In
¼	01718501C	0.5	1.71	2.91	2.09
⅜	01718501E	0.5	1.71	2.91	2.09
½	01718501G	0.6	1.71	2.91	2.09
¾	01718501I	0.8	1.81	3.31	2.13
1	01718501K	1.1	2.13	3.90	2.48
1-¼	01718501L	1.8	2.25	4.61	2.72
1-½	01718501M	2.2	2.44	5.08	3.15
2	01718501N	3.3	2.70	5.99	3.53
2-½	01718501P	6.4	3.70	7.88	3.95
3	01718501Q	9.7	4.02	8.83	4.37
4	01718501T	17.0	4.53	9.89	5.00



# Brass Gate Valve, Sweat Series 8502



## Design Features

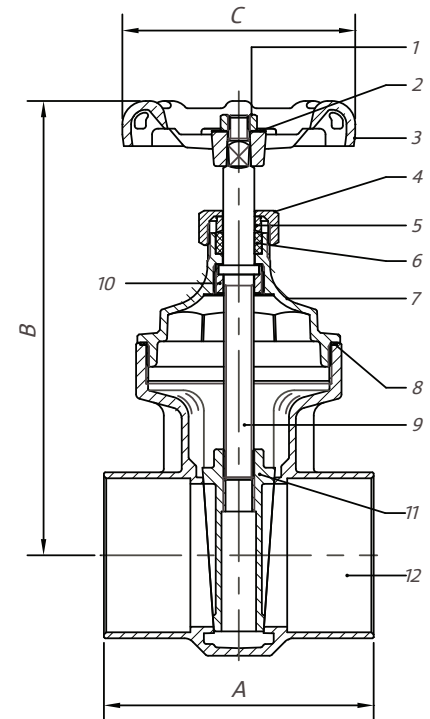
- 200 lb. CWP, 125 lb. WSP
- Cast brass
- Non-rising brass stem
- Approved to ANSI/NSF 61-8
- ISO 9001: 2008 manufacturer

**Note:** Product contains brass which does not meet federal and state requirements for drinking water.

 **WARNING:** Cancer and Reproductive Harm - [www.P65Warnings.ca.gov](http://www.P65Warnings.ca.gov)

## Parts & Materials

No.	Part	Material
1	Wheel Nut	Hot Rolled SAE 1010R
2	Name Plate	Aluminium
3	Hand-Wheel	Cast Iron
4	Packing Nut	Brass B16 C36000
5	Gland Ring	Brass B16 C36000
6	Gland Packing	PTFE
7	Bonnet	Brass B584 C85700
8	Packing	Fibre
9	Stem	Brass B16 C36000 (1/4" to 2") Brass B584 C85700 (2-1/2" to 4")
10	Lock Nut	Brass B16 C36000
11	Disc	Brass B584 C85700
12	Body	Brass B584 C85700



## Dimensions

Size	Part Number	Weight	A	B	C
In		Lb	In	In	In
3/8	01718502E	0.5	1.69	2.91	2.09
1/2	01718502G	0.6	1.69	2.91	2.09
3/4	01718502I	0.8	2.32	3.31	2.13
1	01718502K	1.1	2.72	3.90	2.48
1-1/4	01718502L	1.8	2.94	4.61	2.72
1-1/2	01718502M	2.2	3.33	5.08	3.15
2	01718502N	3.3	3.98	5.99	3.53
2-1/2	01718502P	6.4	4.61	7.88	3.98
3	01718502Q	9.7	5.32	8.83	4.37

### **About ASC Engineered Solutions**

ASC Engineered Solutions is defined by quality—in its products, services and support. With more than 1,400 employees, the company's portfolio of precision-engineered piping support, valves and connections provides products to more than 4,000 customers across industries, such as mechanical, industrial, fire protection, oil and gas, and commercial and residential construction. Its portfolio of leading brands includes ABZ Valve®, AFCON®, Anvil®, Anvil EPS, Anvil Services, Basic-PSA, Beck®, Catawissa, Cooplet®, FlexHead®, FPPI®, Gruklok®, J.B. Smith, Merit®, North Alabama Pipe, Quadrant®, SCI®, Sharpe®, SlideLOK®, SPF® and SprinkFLEX®. With headquarters in Commerce, CA, and Exeter, NH, ASC also has ISO 9001:2015 certified production facilities in PA, TN, IL, TX, AL, LA, KS, and RI.



[asc-es.com](http://asc-es.com)

Building connections that last™

FC-DS-SERIES-8501-8502-v01 20211215

