

Building connections that last™



Series 10FN, 10FW, 10MFN, 10MN, 10RN 10NN, & 10NW

AWWA Gate Valves Datasheet



AWWA Gate Valve with Op-Nut, Flanged

Fig. 10FN

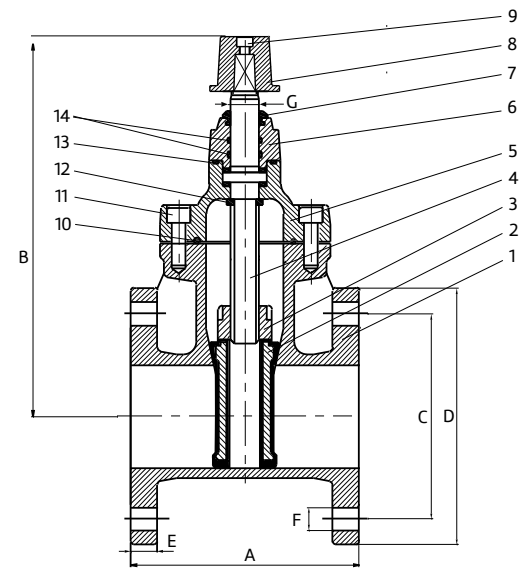


Design Features

- 250 lb. Non-Shock CWP
- Class 125/150 flange
- Ductile Iron Body and Bonnet
- Stainless Steel Non-Rising Stem
- Wax Encapsulated Cap Screws
- Fusion Bonded Epoxy Coating
- Meets AWWA C515
- Bronze wedge nut

Parts & Materials

No.	Part	Material
1	Body	Ductile Iron Gr. A536 65/45/12
2	Wedge	Ductile Iron Gr. A536 65/45/12; Buna-N
3	Wedge Nut	Bronze B584 C83600
4	Stem	Stainless Steel 304
5	Bonnet	Ductile Iron Gr. A536 65/45/12
6	Packing Gland	Ductile Iron Gr. A536 65/45/12
7	Stem Wiper	Buna-N
8	Operating Nut	Ductile Iron Gr. A536 65/45/12
9	Handle Bolt	Stainless Steel 304
10	Bonnet O-Ring	Buna-N
11	Bonnet Bolts	Stainless Steel 304
12	Gasket	Buna-N
13	Packing / Bonnet O-Ring	Buna-N
14	Packing / Gland O-Ring	Buna-N



Dimensions

Size	Part Number	Weight	A	B	C	D	E	F	G
In		Lb	In	In	In	In	In	In	In
2	017110FN020	32	7.00	10.83	4.75	6.00	0.62	4 - 0.75	0.79
2-½	017110FN024	43	7.50	11.14	5.50	7.00	0.69	4 - 0.75	0.79
3	017110FN030	53	8.00	12.24	6.00	7.50	0.75	4 - 0.75	0.87
4	017110FN040	74	9.00	13.86	7.50	9.00	0.94	8 - 0.75	1.02
6	017110FN060	150	10.50	19.09	9.50	11.00	1.00	8 - 0.88	1.14
8	017110FN080	215	11.50	20.47	11.75	13.50	1.12	8 - 0.88	1.26
10	017110FN100	335	13.00	24.88	14.25	16.00	1.19	12 - 1.00	1.42
12	017110FN120	478	14.00	29.33	17.00	19.00	1.25	12 - 1.00	1.50
14	017110FN140	868	15.00	32.90	18.75	21.00	1.38	12 - 1.12	1.73
16	017110FN160	1224	16.00	37.50	21.25	23.50	1.44	16 - 1.12	1.89

AWWA Gate Valve with Hand-Wheel, Flanged

Fig. 10FW

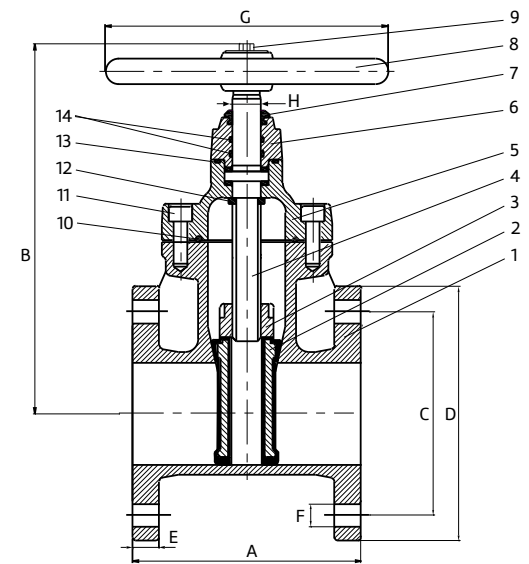


Design Features

- 250 lb. Non-Shock CWP
- Class 125/150 flange
- Ductile iron body and bonnet
- Stainless steel non-rising stem
- Wax encapsulated cap screws
- Fusion bonded epoxy coating
- Meets AWWA C515
- Bronze wedge nut

Parts & Materials

No.	Part	Material
1	Body	Ductile Iron Gr. A536 65/45/12
2	Wedge	Ductile Iron Gr. A536 65/45/12; Buna-N
3	Wedge Nut	Bronze B584 C83600
4	Stem	Stainless Steel 304
5	Bonnet	Ductile Iron Gr. A536 65/45/12
6	Packing Gland	Ductile Iron Gr. A536 65/45/12
7	Stem Wiper	Buna-N
8	Operating Nut	Ductile Iron Gr. A536 65/45/12
9	Handle Bolt	Stainless Steel 304
10	Bonnet O-Ring	Buna-N
11	Bonnet Bolts	Stainless Steel 304
12	Gasket	Buna-N
13	Packing / Bonnet O-Ring	Buna-N
14	Packing / Gland O-Ring	Buna-N



Dimensions

Size	Part Number	Weight	A	B	C	D	E	F	G	H
In		Lb	In	In	In	In	In	In	In	In
2	017110FW020	32	7.00	10.83	4.75	6.00	0.62	4 - 0.75	7.09	0.79
2-½	017110FW024	43	7.50	11.14	5.50	7.00	0.69	4 - 0.75	7.09	0.79
3	017110FW030	53	8.00	12.24	6.00	7.50	0.75	4 - 0.75	7.87	0.87
4	017110FW040	74	9.00	13.86	7.50	9.00	0.94	8 - 0.75	9.84	1.02
6	017110FW060	150	10.50	19.09	9.50	11.00	1.00	8 - 0.88	12.60	1.14
8	017110FW080	215	11.50	20.47	11.75	13.50	1.12	8 - 0.88	13.78	1.26
10	017110FW100	335	13.00	24.88	14.25	16.00	1.19	12 - 1.00	15.75	1.42
12	017110FW120	478	14.00	29.33	17.00	19.00	1.25	12 - 1.00	17.72	1.50
14	017110FW140	868	15.00	32.90	18.75	21.00	1.38	12 - 1.12	19.70	1.73
16	017110FW160	1224	16.00	37.50	21.25	23.50	1.44	16 - 1.12	19.70	1.89

AWWA Gate Valve, MJ x Flanged

Fig. 10MFN

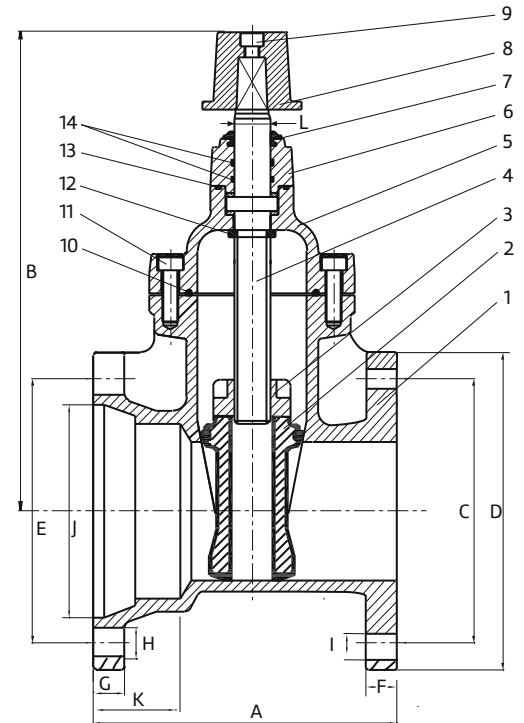


Design Features

- 250 lb. Non-Shock CWP
- ANSI class 125/150 flange
- Ductile iron body and bonnet
- Stainless steel non-rising stem
- Wax encapsulated cap screws
- Fusion bonded epoxy coating
- Meets AWWA C515
- Bronze wedge nut

Parts & Materials

No.	Part	Material
1	Body	Ductile Iron Gr. A536 65/45/12
2	Wedge	Ductile Iron Gr. A536 65/45/12; Buna-N
3	Wedge Nut	Bronze B584 C83600
4	Stem	Stainless Steel 304
5	Bonnet	Ductile Iron Gr. A536 65/45/12
6	Packing Gland	Ductile Iron Gr. A536 65/45/12
7	Stem Wiper	Buna-N
8	Operating Nut	Ductile Iron Gr. A536 65/45/12
9	Handle Bolt	Stainless Steel 304
10	Bonnet O-Ring	Buna-N
11	Bonnet Bolts	Stainless Steel 304
12	Gasket	Buna-N
13	Packing / Bonnet O-Ring	Buna-N
14	Packing / Gland O-Ring	Buna-N



Dimensions

Size	Part Number	Weight	A	B	C	D	E	F	G	H	I	J	K	L
In		Lb	In	In	In	In	In	In	In	In	In	In	In	In
3	017110MFN030	50	8.00	12.24	6.00	7.50	6.19	0.75	0.58	4-0.750	4-0.750	4.94	2.50	0.87
4	017110MFN040	70	9.00	13.86	7.50	9.00	7.50	0.94	0.60	4-0.875	8-0.750	6.02	2.50	1.02
6	017110MFN060	143	10.50	19.09	9.50	11.00	9.50	1.00	0.63	6-0.875	8-0.875	8.12	2.50	1.14
8	017110MFN080	207	11.50	20.47	11.75	13.50	11.75	1.12	0.66	6-0.875	8-0.875	10.27	2.50	1.26
10	017110MFN100	321	13.00	24.88	14.25	16.00	14.00	1.19	0.70	8-0.875	12-1.00	12.34	2.50	1.42
12	017110MFN120	460	14.00	29.33	17.00	19.00	16.25	1.25	0.73	8-0.875	12-1.00	14.44	2.50	1.50

AWWA Gate Valve, Mechanical Joint

Fig. 10MN

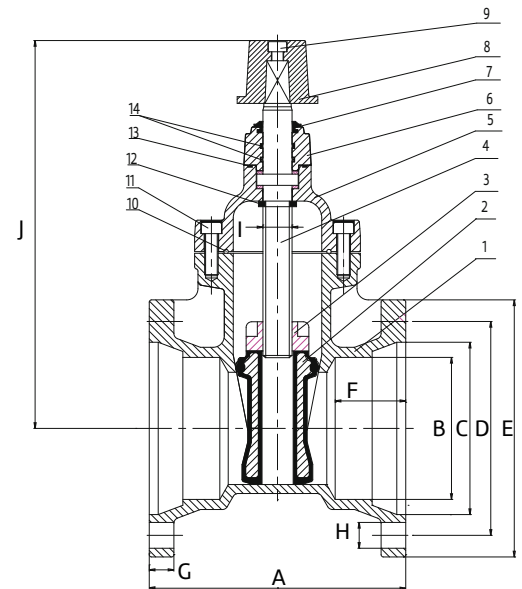


Design Features

- 250 lb. Non-Shock CWP
- Ductile iron body and bonnet
- Stainless steel non-rising stem
- Wax encapsulated cap screws
- Fusion bonded epoxy coating
- Meets AWWA C515
- Bronze wedge nut

Parts & Materials

No.	Part	Material
1	Body	Ductile Iron Gr. A536 65/45/12
2	Wedge	Ductile Iron Gr. A536 65/45/12; Buna-N
3	Wedge Nut	Bronze B584 C83600
4	Stem	Stainless Steel 304
5	Bonnet	Ductile Iron Gr. A536 65/45/12
6	Packing Gland	Ductile Iron Gr. A536 65/45/12
7	Stem Wiper	Buna-N
8	Operating Nut	Ductile Iron Gr. A536 65/45/12
9	Handle Bolt	Stainless Steel 304
10	Bonnet O-Ring	Buna-N
11	Bonnet Bolts	Stainless Steel 304
12	Gasket	Buna-N
13	Packing / Bonnet O-Ring	Buna-N
14	Packing / Gland O-Ring	Buna-N



Dimensions

Size	Part Number	Weight	A	B	C	D	E	F	G	H	I	J
In		Lb	In	In	In	In	In	In	In	In	In	In
3	017110MN030	44	8.00	4.13	4.94	6.19	7.69	2.50	0.58	4-0.75	0.87	12.20
4	017110MN040	63	9.00	4.98	6.02	7.50	9.06	2.50	0.60	4-0.75	1.02	13.78
6	017110MN060	127	10.50	7.08	8.12	9.50	11.06	2.50	0.63	8-0.87	1.14	18.98
8	017110MN080	174	11.50	9.23	10.27	11.75	13.31	2.50	0.66	8-0.87	1.26	20.47
10	017110MN100	277	13.00	11.30	12.34	14.00	15.62	2.50	0.70	8-0.87	1.41	24.88
12	017110MN120	461	14.00	13.39	14.44	16.25	17.88	2.50	0.73	0.87	1.50	29.29
14	017110MN140	875	15.00	15.53	16.54	18.75	20.25	3.50	0.79	0.87	1.73	32.87
16	017110MN160	1225	16.00	17.64	18.64	21.00	22.50	3.50	0.85	0.87	1.89	37.52
18	017110MN180	1436	17.00	19.76	20.74	23.25	24.75	3.50	1.00	0.87	1.93	44.09

AWWA Gate Valve with Op-Nut, Ring Tite Joint IPS

Fig. 10RN

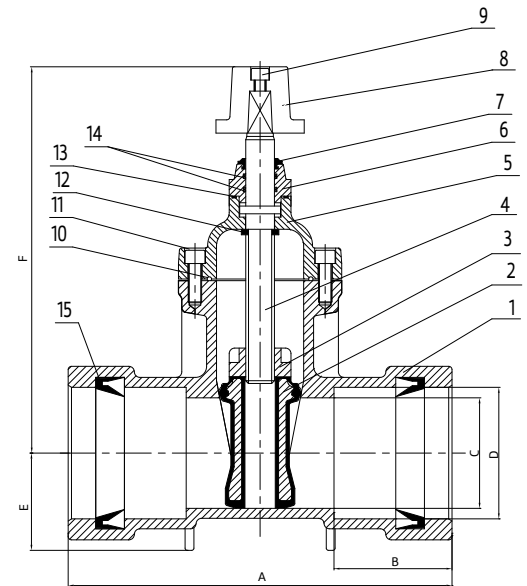


Design Features

- 250 lb. Non-Shock CWP
- IPS PVC push-on
- Ductile iron body and bonnet
- Stainless steel non-rising stem
- Wax encapsulated cap screws
- Fusion bonded epoxy coating
- Meets AWWA C515
- Bronze wedge nut

Parts & Materials

No.	Part	Material
1	Body	Ductile Iron Gr. A536 65/45/12
2	Wedge	Ductile Iron Gr. A536 65/45/12; Buna-N
3	Wedge Nut	Bronze B584 C83600
4	Stem	Stainless Steel 304
5	Bonnet	Ductile Iron Gr. A536 65/45/12
6	Packing Gland	Ductile Iron Gr. A536 65/45/12
7	Stem Wiper	Buna-N
8	Operating Nut	Ductile Iron Gr. A536 65/45/12
9	Handle Bolt	Stainless Steel 304
10	Bonnet O-Ring	Buna-N
11	Bonnet Bolts	Stainless Steel 304
12	Gasket	Buna-N
13	Packing / Bonnet O-Ring	Buna-N
14	Packing / Gland O-Ring	Buna-N
15	Gasket Ring	Buna-N



Dimensions

Size	Part Number	Weight	A	B	C	D	E	F
In		Lb	In	In	In	In	In	In
2	017110RN020	27	10.24	3.43	2.08	2.44	2.56	12.01
2-½	017110RN025	38	10.75	3.54	2.58	2.99	2.95	12.40
3	017110RN030	47	12.01	3.74	3.08	3.58	3.15	13.62
4	017110RN040	69	13.78	4.21	4.08	4.65	3.54	15.55
6	017110RN060	146	16.85	5.71	6.08	6.77	4.53	20.47
8	017110RN080	208	18.50	6.57	8.07	8.74	6.10	22.24

AWWA Gate Valve with Op-Nut, IPS Threaded

Fig. 10NN

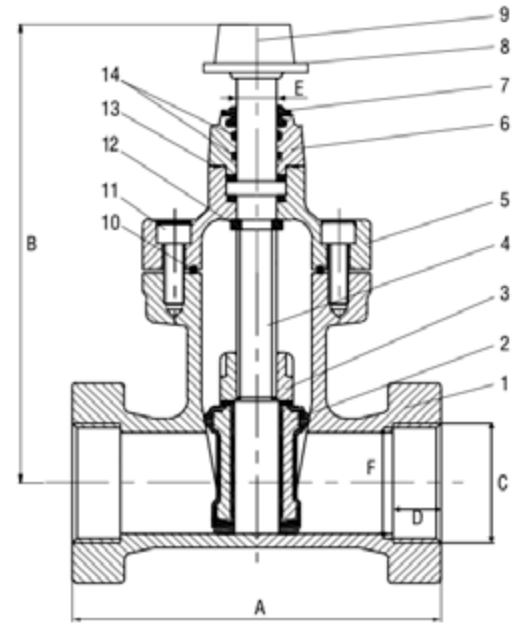


Design Features

- 250 lb. Non-Shock CWP
- Ductile iron body and bonnet
- Stainless steel non-rising stem
- Wax encapsulated cap screws
- Fusion bonded epoxy coating
- Meets AWWA C515
- Bronze wedge nut

Parts & Materials

No.	Part	Material
1	Body	Ductile Iron Gr. A536 65/45/12
2	Wedge	Ductile Iron Gr. A536 65/45/12; Buna-N
3	Wedge Nut	Bronze B584 C83600
4	Stem	Stainless Steel 304
5	Bonnet	Ductile Iron Gr. A536 65/45/12
6	Packing Gland	Ductile Iron Gr. A536 65/45/12
7	Stem Wiper	Buna-N
8	Operating Nut	Ductile Iron Gr. A536 65/45/12
9	Handle Bolt	Stainless Steel 304
10	Bonnet O-Ring	Buna-N
11	Bonnet Bolts	Stainless Steel 304
12	Gasket	Buna-N
13	Packing / Bonnet O-Ring	Buna-N
14	Packing / Gland O-Ring	Buna-N



Dimensions

Size	Part Number	Weight	A	B	C	D	E	F
In		Lb	In	In	In	In	In	In
2	017110NN020	24	7.01	10.31	2.37	0.79	0.79	2.15
3	017110NN030	49	7.99	11.73	3.50	1.00	0.87	3.22
4	017110NN040	68	9.02	13.78	4.50	1.09	1.02	4.22

AWWA Gate Valve with Hand-Wheel, IPS Threaded

Fig. 10NW

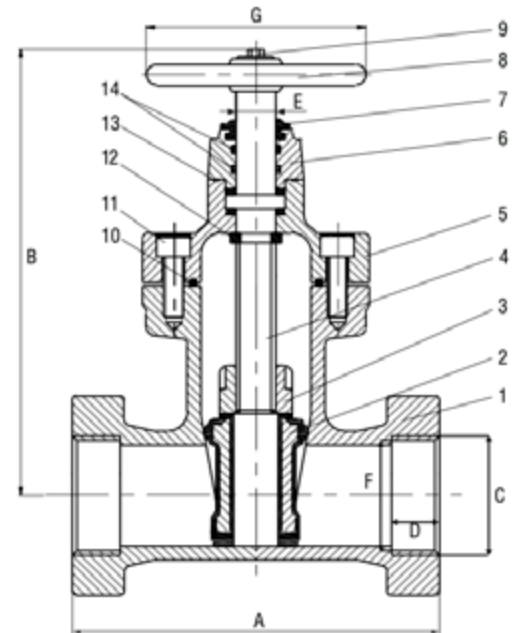


Design Features

- 250 lb. non-shock CWP
- Ductile Iron Body and Bonnet
- Stainless Steel Non-Rising Stem
- Wax Encapsulated Cap Screws
- Fusion Bonded Epoxy Coating
- Meets AWWA C515
- Bronze wedge nut

Parts & Materials

No.	Part	Material
1	Body	Ductile Iron Gr. A536 65/45/12
2	Wedge	Ductile Iron Gr. A536 65/45/12; Buna-N
3	Wedge Nut	Bronze B584 C83600
4	Stem	Stainless Steel 304
5	Bonnet	Ductile Iron Gr. A536 65/45/12
6	Packing Gland	Ductile Iron Gr. A536 65/45/12
7	Stem Wiper	Buna-N
8	Hand-Wheel	Ductile Iron Gr. A536 65/45/12
9	Handle Bolt	Stainless Steel 304
10	Bonnet O-Ring	Buna-N
11	Bonnet Bolts	Stainless Steel 304
12	Gasket	Buna-N
13	Packing / Bonnet O-Ring	Buna-N
14	Packing / Gland O-Ring	Buna-N



Dimensions

Size	Part Number	Weight	A	B	C	D	E	F	G
In		Lb	In	In	In	In	In	In	In
2	017110NW020	24	7.01	10.31	2.37	0.79	0.79	2.15	7.09
3	017110NW030	49	7.99	11.73	3.50	1.00	0.87	3.22	7.87
4	017110NW040	68	9.02	13.78	4.50	1.09	1.02	4.22	9.84

About ASC Engineered Solutions

ASC Engineered Solutions is defined by quality—in its products, services and support. With more than 1,400 employees, the company's portfolio of precision-engineered piping support, valves and connections provides products to more than 4,000 customers across industries, such as mechanical, industrial, fire protection, oil and gas, and commercial and residential construction. Its portfolio of leading brands includes ABZ Valve®, AFCON®, Anvil®, Anvil EPS, Anvil Services, Basic-PSA, Beck®, Catawissa, Cooplet®, FlexHead®, FPPI®, Gruvlok®, J.B. Smith, Merit®, North Alabama Pipe, Quadrant®, SCI®, Sharpe®, SlideLOK®, SPF® and SprinkFLEX®. With headquarters in Commerce, CA, and Exeter, NH, ASC also has ISO 9001:2015 certified production facilities in PA, TN, IL, TX, AL, LA, KS, and RI.



asc-es.com

Building connections that last™

