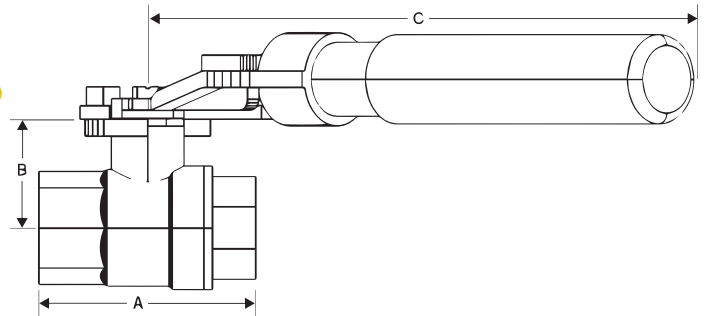


Direct Mount Ball Valve



**2 Piece • Full Port • Threaded Connection • 600 WOG •
Spring Return Handle • Stainless Steel Ball and Stem**



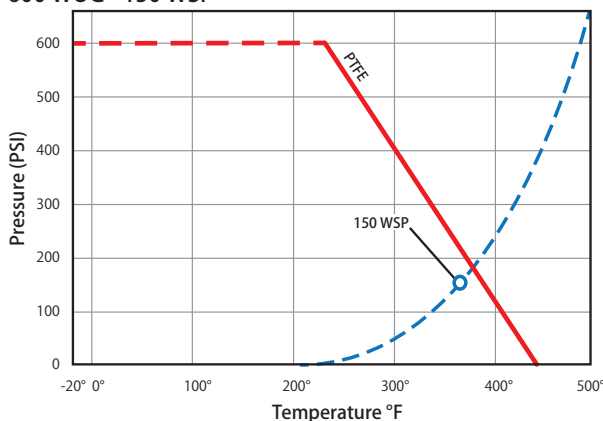
Features

- Dezincification resistant alloy
- Blow out proof stem
- Fail safe position
- Latch lock may be locked in open or closed position
- 100% leak tested
- Wetted surface contains less than .25% lead content

Valve Approvals

- NSF 61-8
- NSF 372
- MSS SP-110
- ANSI B1.20.1

Valve Seat Rating 600 WOG - 150 WSP



Material Specifications

No.	Part	Materials
1	Body	Lead Free Brass - C46500
2	Seat (2)	PTFE
3	Ball	304 Stainless Steel
4	Stem Seat	PTFE
5	Stem	304 Stainless Steel
6	O-ring (2)	Viton®
7	Screw	Nickel Plated Steel
8	Packing Nut	Nickel Plated Steel - C37700
9	Gasket	Nylon
10	Handle - Dead Man	304 / 301 Stainless Steel
11	End Connection	Lead Free Brass

Valve Dimensions

Part No.	Size	A	B	C
A101-12DH	1/2"	2.39	1.14	6.69
A101-34DH	3/4"	2.57	1.28	6.69
A101-1DH	1"	2.97	1.59	8.66
A101-114DH	1-1/4"	3.44	1.82	8.66
A101-112DH	1-1/2"	3.88	2.32	8.66
A101-2DH	2"	4.29	2.62	8.66

WARNING: This product can expose you to chemicals including lead, which is known to the State of California to cause birth defects or other reproductive harm. For more information go to www.P65Warnings.ca.gov.