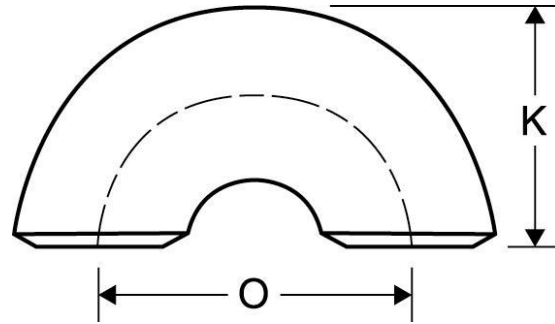




Short Radius 180° Return
Bends
EXTRA HEAVY
Inches / Pounds



Nominal Pipe Size	Outside Diameter	Inside Diameter	Wall Thickness	Center To Center (O)	Back To Face (K)	Pipe Schedule	Approximate Weight (in Pounds)
1 ½	1.90	1.50	0.200	3.00	2.44	XH/80	1.5
2	2.37	1.93	0.218	4.00	3.19	XH/80	2.9
2 ½	2.87	2.32	0.276	5.00	3.94	XH/80	5.2
3	3.50	2.90	0.300	6.00	4.75	XH/80	8.2
3 ½	4.00	3.36	0.318	7.00	5.50	XH/80	11.7
4	4.50	3.83	0.337	8.00	6.25	XH/80	16.4
5	5.56	4.81	0.375	10.00	7.75	XH/80	27.7
6	6.62	5.76	0.432	12.00	9.31	XH/80	45.7
8	8.62	7.62	0.500	16.00	12.31	XH/80	96.3
10	10.75	9.75	0.500	20.00	15.38	XH/60	143
12	12.75	11.75	0.500	24.00	18.38	XH*	212
14	14.00	13.00	0.500	28.00	21.00	XH*	271
16	16.00	15.00	0.500	32.00	24.00	XH/40	339
18	18.00	17.00	0.500	36.00	27.00	XH*	425
20	20.00	19.00	0.500	40.00	30.00	XH/30	555
24	24.00	23.00	0.500	48.00	36.00	XH*	778
30	30.00	29.00	0.500	60.00	45.00	XH/20	1,270
36	36.00	35.00	0.500	72.00	54.00	XH/20	1,838

** XH* designates Extra Strong (extra strong wall). This size and thickness do not correspond to any pipe schedule number.*

** Dimensions conform to ASME B16.9 & material conforms to ASTM SA-234 Grade B.*