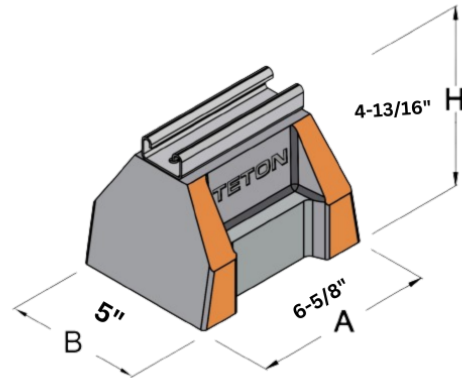


## SPECIFICATIONS

- 100% Recycled Rubber
- Hot Dipped Galv 14ga Strut
- 1-5/8 x 13/16 Strut Channel
- Load Capacity: 400 lbs
- Working Temp: -40°F to 176°F



PROJECT INFORMATION		
Project:		
Address:		
Contractor:		
Engineer:		
Date:		
Approved <input type="checkbox"/>	Approved as Noted <input type="checkbox"/>	Not Approved <input type="checkbox"/>