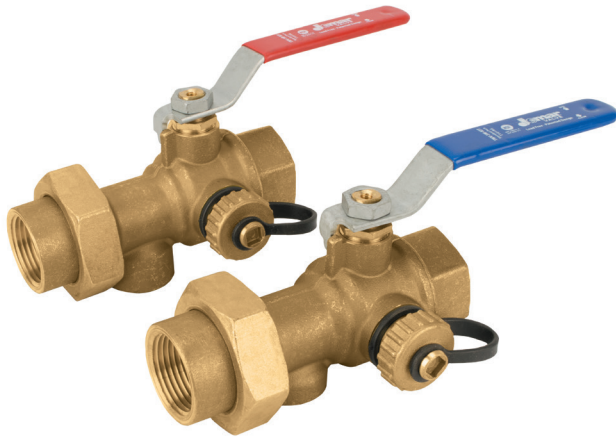


Lead Free Brass Ball Valve



3 Way Ball • Tankless Water Heater Valve Kit • Threaded Connection • 600 WOG



TWV-3W-KIT-G1

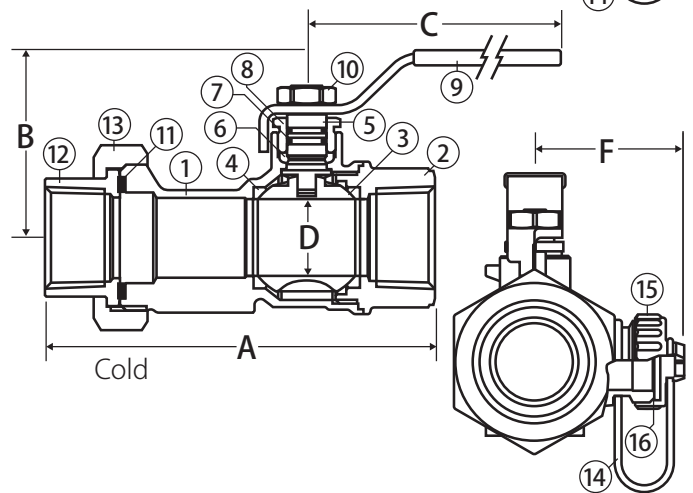
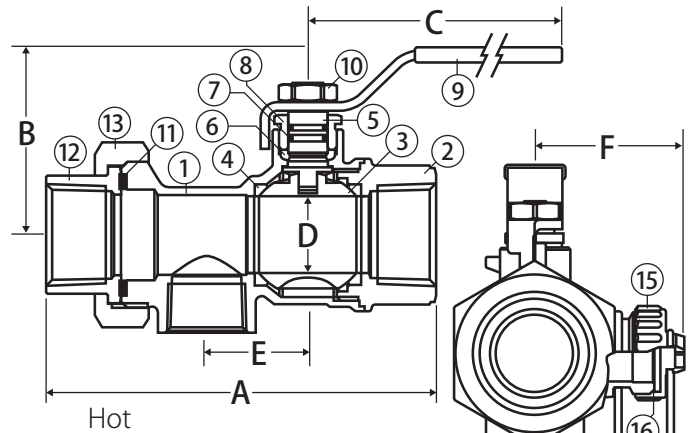
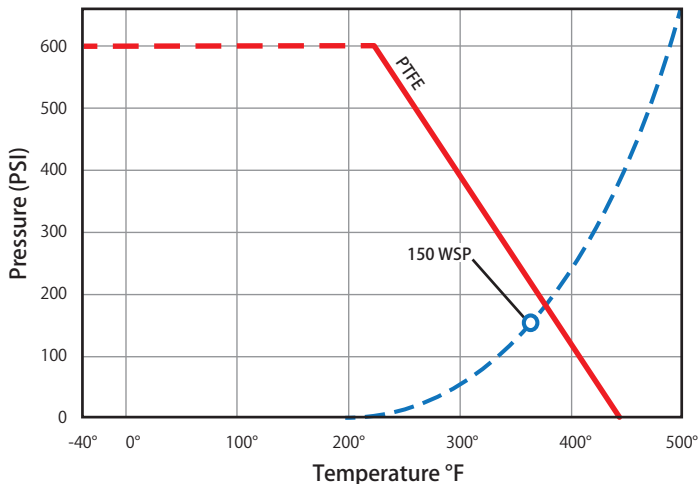
Features

- Unique, T.E.A. Ternary Eco Alloy® coated 3-way style ball
- 2 FKM o-rings with Teflon packing and packing nut guarantees no stem leaks
- U.S.A. Patent No. 7,762,280 B2
- 100% leak tested
- 100% Made in Italy
- Leakproof stem - Lifetime Warranty
- Wetted surfaces contain less than .25% lead content
- Dezincification resistant brass alloy

Approvals

- NSF 372
- NSF 61-8
- NSF 61 - Annex G
- ANSI B1.20.1

Valve Seat Rating 600 WOG - 150 WSP



Material Specifications

No.	Part	Materials
1	Body	Lead Free Brass - CW511L
2	End Connection	Lead Free Brass - CW511L
3	Ball	T.E.A. Coated Brass - CW510L
4	Seat (2)	PTFE
5	Stem	Lead Free Brass - CW510L
6	Packing	PTFE
7	Stem O-ring (2)	FKM
8	Packing Gland	Brass - CW614N
9	Handle	Steel - Geomet® Plated
10	Handle Nut	Steel - Geomet® Plated
11	Union Washer	EPDM
12	Tail Piece	Lead Free Brass - CW510L
13	Union Nut	Brass - CW617N
14	Tether	PVC
15	Cap	Lead Free Brass - CW510L
16	Flat Washer	Buna-N

Dimensions

Part No.	Valve	A	B	C	D	E	F
810-505G - 1" Threaded							
810-525G	Hot	5.05	2.53	4.75	0.81	1.35	1.55
810-535G	Cold	5.05	2.53	4.75	0.81	-	1.55



LEAD FREE

