

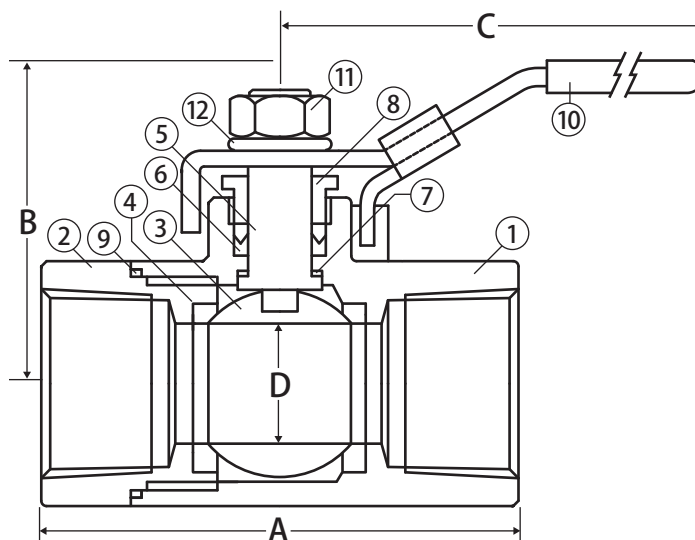
Stainless Steel Ball Valve



2 Piece • Standard Port • Threaded Connection • 2000 WOG



T-SS-2000N



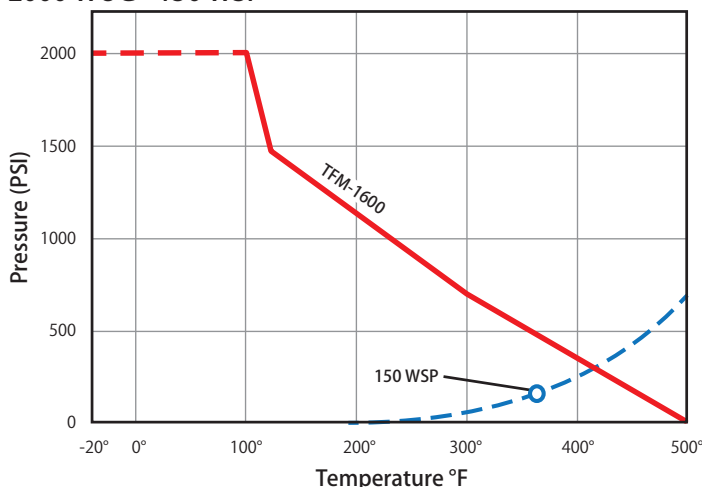
Features

- Solid ball construction
- 29 in-Hg vacuum rating
- Latch lock may be locked in open or closed position
- 100% leak tested
- Wetted surfaces contain less than .25% lead content

Approvals

- UL Listed
 - MHKZ - Manual valves
 - YQNZ - Compressed gas shut-off valves
 - YRBX - Flammable liquid shut-off valves
 - YRPV - Gas shut-off valves
 - YSDT - LP gas shut-off valves
 - YQAR - Anhydrous ammonia shut-off valves
- Conforms to API 598
- ANSI B1.20.1
- MSS SP-110
- NACE Certified

Valve Seat Rating 2000 WOG - 150 WSP



Material Specifications

No.	Part	Materials
1	Body	CF8M Stainless Steel
2	End Connection	CF8M Stainless Steel
3	Ball	CF8M Stainless Steel
4	Seat (2)	Hostafion® TFM 1600
5	Stem	316 Stainless Steel
6	Packing (2)	RPTFE
7	Stem Seal	Hostafion® TFM 1600
8	Packing Gland	316 Stainless Steel
9	Body Seal	Hostafion® TFM 1600
10	Handle	304 Stainless Steel
11	Handle Nut	304 Stainless Steel
12	Lock Washer	304 Stainless Steel

Dimensions

Part No.	Size	A	B	C	D	Torque
100-931	1/4"	2.07	1.76	4.33	0.37	35
100-932	3/8"	2.07	1.76	4.33	0.37	35
100-933	1/2"	2.34	1.92	4.33	0.50	65
100-934	3/4"	2.80	2.40	5.83	0.69	100
100-935	1"	3.23	2.56	5.83	0.87	120
100-936	1-1/4"	3.57	2.74	7.76	1.00	210
100-937	1-1/2"	4.04	2.98	7.76	1.25	300
100-938	2"	4.63	3.17	7.76	1.50	400

WARNING: This product can expose you to chemicals including diisononyl phthalate (DINP), which is known to the State of California to cause cancer, and diisononyl phthalate (DINP), which is known to the State of California to cause birth defects or other reproductive harm. For more information go to www.P65Warnings.ca.gov.