

# Lead Free Brass Boiler Drain

## Threaded Male Connection • 125 WOG



**T-621G**

### Features

- Heavy pattern brass
- Wetted surfaces contain less than .25% lead content

### Approvals

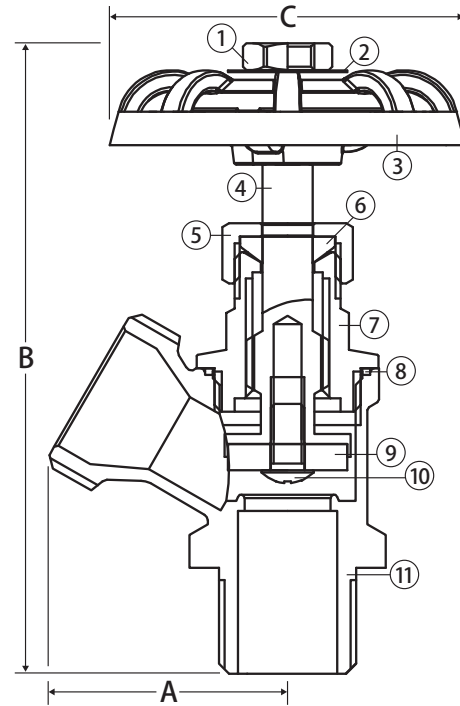
- Truesdail Certified NSF/ANSI/CAN 61 & 372
- Uniform Plumbing Code (cUPC)

### Pressure Rating

- 125 WOG



**WARNING:** This product can expose you to chemicals including lead, which is known to the State of California to cause cancer, and lead, which is known to the State of California to cause birth defects or other reproductive harm. For more information go to [www.P65Warnings.ca.gov](http://www.P65Warnings.ca.gov).



### Material Specifications

| No. | Part          | Materials             |
|-----|---------------|-----------------------|
| 1   | Handle Nut    | Steel                 |
| 2   | Name Plate    | Aluminum              |
| 3   | Hand Wheel    | Cast Iron             |
| 4   | Stem          | Lead Free Brass       |
| 5   | Packing Nut   | Lead Free Brass       |
| 6   | Gland Packing | Buna-N                |
| 7   | Bonnet        | Lead Free Brass       |
| 8   | Body          | Lead Free Brass       |
| 9   | Seat Packing  | Buna-N                |
| 10  | Seat Screw    | SS304 Stainless Steel |

### Dimensions

| Part No. | Size | A    | B    | C    |
|----------|------|------|------|------|
| 201-003G | 1/2" | 1.58 | 3.59 | 2.13 |
| 201-004G | 3/4" | 1.58 | 3.70 | 2.13 |