

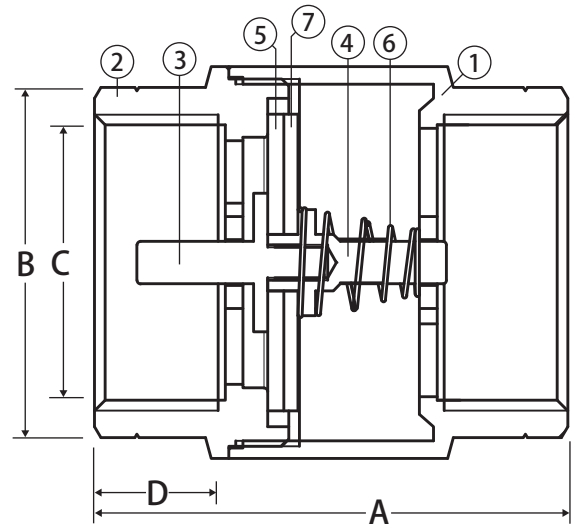
Lead Free Brass Inline Check Valve



Threaded Connection • 300 WOG • Class 150



T-521G



Features

- Forged Lead Free Brass Body
- Bubble tight Teflon seal
- Wetted surfaces contain less than .25% lead content

Approvals

- Lead Free Compliant
- ANSI B1.20.1

Pressure/Temperature Rating

- 300WOG
- Max. 250°F

Install 5 pipe diameters minimum downstream from pump discharge or changes in direction to avoid flow turbulence. Flow straighteners may be required in extreme cases.

Note: On pump discharge, the preferred check valves are: inline, spring assisted, center-guided, lift checks.

Warning: Do Not Use For Reciprocating Air Compressor Service

Material Specifications

No.	Part	Materials
1	Body	Lead Free Brass
2	Tailpiece	Lead Free Brass
3	Disc Holder 1	Lead Free Brass
4	Disc Holder 2	Lead Free Brass
5	Disc	PTFE
6	Spring	304 Stainless Steel

Dimensions

Part No.	Size	A	B	C	D
105-603G	1/2"	1.91	1.02	0.72	0.49
105-604G	3/4"	2.05	1.19	0.92	0.59
105-605G	1"	2.31	1.49	1.15	0.59
105-606G	1-1/4"	2.66	1.84	1.50	0.73
105-607G	1-1/2"	2.74	2.04	1.74	0.71
105-608G	2"	3.31	2.61	2.21	0.83



WARNING: This product can expose you to chemicals including lead, which is known to the State of California to cause cancer, and lead, which is known to the State of California to cause birth defects or other reproductive harm. For more information go to www.P65Warnings.ca.gov.