

Building connections that last™



Sharpe® Series 5303

Three-Piece Ball Valve Datasheet



Three-Piece Ball Valve Sharpe® Series 5303



Design Features

- Full Port
- 1000 CWP (¼"-2")
600 CWP (2½"-4")
- Carbon Steel ASTM A216 WCB or
316 Stainless Steel ASTM A351
CF8M
- Threaded, Socket Weld*,
or Schedule 10, or 40 Butt
Weld* Ends**
- Blow-Out Proof Stem
- Lockable Lever Handle

Design Features

- Socket Weld & Threaded Ends:
ASME B16.11
- Butt Weld Ends: ASME B16.25
- Shell and Seat Tests: ASME B16.34

Options

- Stem Extension, Non-Locking
- Reverse Handle Non-Locking
- Oval Handle, Lockable, up to 2"

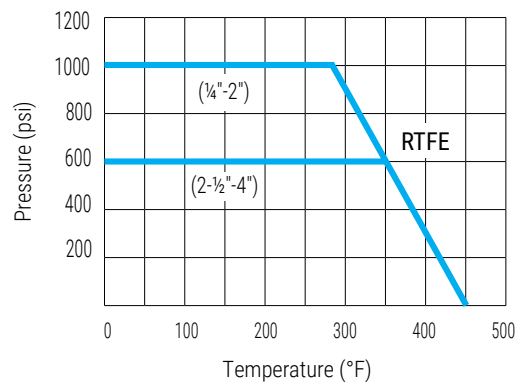
Note:

- *Valves with Welded Ends supplied with extra set of PTFE Body Seals.
- **Butt Weld available only in 316 Stainless Steel ASTM A351 CF8M.

Technical Information

Size	C _v	Weight (lbs.)
¼	20	0.9
⅜	25	0.9
½	28	1.1
¾	50	1.8
1	70	2.6
1-¼	112	4.0
1-½	170	6.3
2	395	9.7
2-½	835	18.7
3	860	29.5
4	1780	47.5

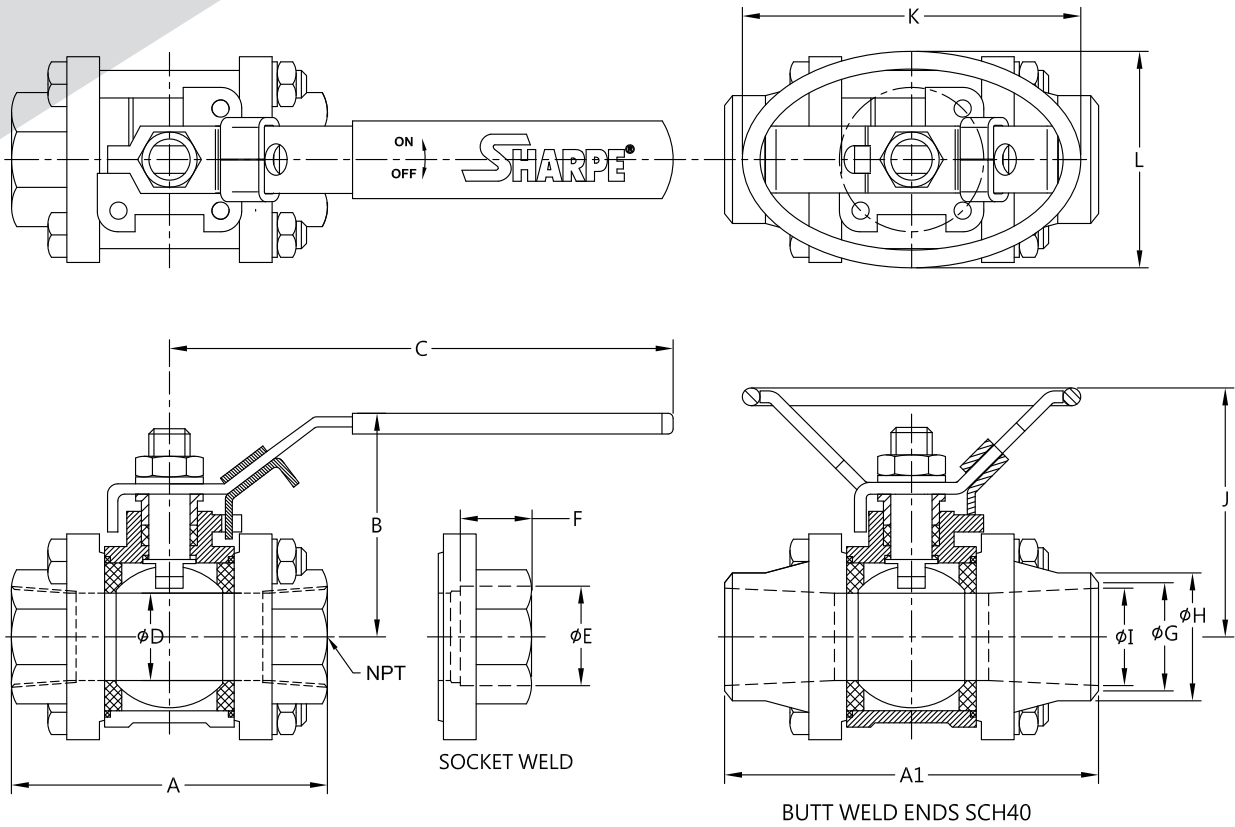
Pressure - Temperature Ratings



asc-es.com

Building connections that last™

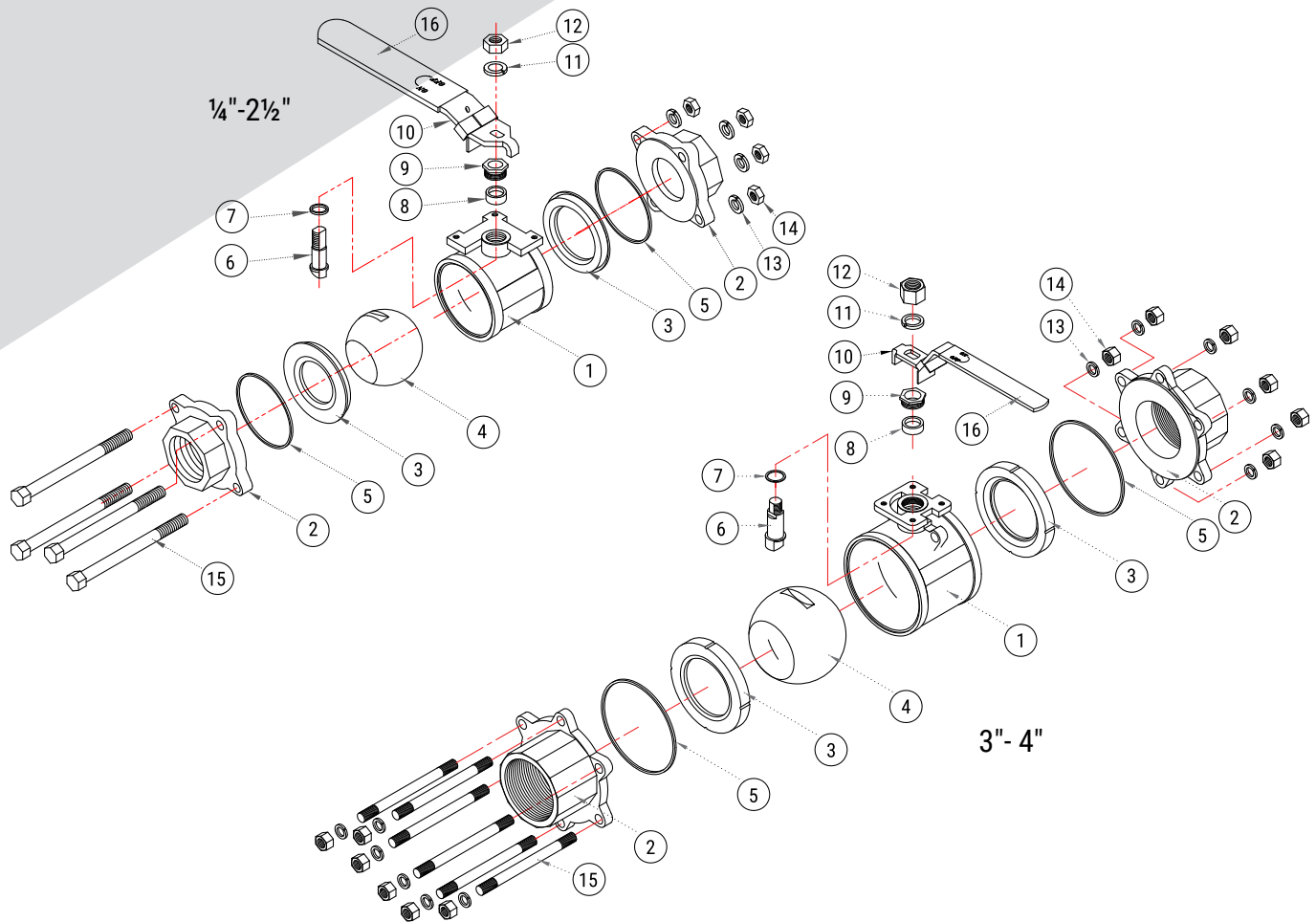
Three-Piece Ball Valve Sharpe® Series 5303



Dimensions (Inches)

Size	A	A1	B	C	ØD	ØE	F	ØG	ØH	ØI	J	K	L
¼	2.50	2.56	2.21	4.00	0.46	0.56	0.44	0.44	0.54	0.36	1.79	3.62	2.42
⅜	2.50	2.56	2.21	4.00	0.50	0.69	0.44	0.57	0.68	0.49	1.79	3.62	2.42
½	2.83	2.83	2.36	4.00	0.59	0.86	0.44	0.70	0.84	0.62	2.13	3.62	2.42
¾	3.34	3.34	2.47	5.00	0.79	1.07	0.56	0.92	1.05	0.82	2.66	3.78	2.56
1	3.62	3.62	2.81	5.70	0.98	1.33	0.72	1.19	1.32	1.05	2.82	3.78	2.56
1-¼	4.33	4.33	3.08	5.70	1.26	1.68	0.72	1.52	1.66	1.38	3.17	4.72	3.31
1-½	4.83	4.83	3.47	7.50	1.50	1.92	0.75	1.75	1.90	1.61	3.39	4.72	3.31
2	5.58	5.58	3.82	7.50	2.00	2.41	0.84	2.23	2.38	2.07	3.66	4.72	3.31
2-½	6.84	6.84	5.81	10.00	2.56	2.90	1.13	2.64	2.88	2.47	-	-	-
3	7.59	7.57	6.23	10.00	3.00	3.54	1.25	3.24	3.50	3.07	-	-	-
4	10.79	10.76	7.31	11.34	3.94	4.54	1.75	4.21	4.50	4.03	-	-	-

Three-Piece Ball Valve Sharpe® Series 5303



Parts & Materials

No.	Part Name	Qty	Material
1	Body	1	Carbon Steel ASTM A216 WCB or 316 Stainless Steel ASTM A351 CF8M
2	End Piece	2	Carbon Steel ASTM A216 WCB or 316 Stainless Steel ASTM A351 CF8M
3	Seat	2	RTFE
4	Ball	1	316 Stainless Steel
5	Body Seals	2	PTFE
6	Stem	1	316 Stainless Steel
7	Thrust Bearing	1	PTFE
8	Stem Packing	1	PTFE
9	Gland Packing	1	300 Series Stainless Steel
10	Handle	1	300 Series Stainless Steel
11	Handle Washer	1	300 Series Stainless Steel
12	Handle Nut	1	300 Series Stainless Steel
13	Lock Washer	4/12	300 Series Stainless Steel
14	Nut	4/12	300 Series Stainless Steel
15	Bolts	4/6	300 Series Stainless Steel
16	Hand Sleeve	1	PVC

Three-Piece Ball Valve Sharpe® Series 5303



How to order Series 5303

Example: 2 5303-6-SW

2	5303	-	6	-	SW	-	
Size	Series		Body Material		End Connections		Options
Size	Series		Body Material		End Connections		Options
1/4	5303	4	Carbon Steel		<i>with Carbon Steel Body (code 4)</i>		NLS Non-Locking Stem Extension, 2-1/2"
3/8		6	316 Stainless Steel		TE Threaded		OH Oval Handle (up to 2")
1/2					SW Socket Weld		
3/4					TE / SW Threaded / Socket Weld		
1					<i>with Stainless Steel Body (code 6)</i>		
1-1/4					TE Threaded		
1-1/2					SW Socket Weld		
2					BW Butt-weld (Sch 40)		
2-1/2					BW10 Butt-weld (Sch 10)*		
3					TE / SW Threaded / Socket Weld		
4					TE / BW Threaded / Butt-weld (Sch 40)		
					TE / BW10 Threaded / Butt Weld (Sch 10)*		

Notes:

*POA

Responsibility for proper selection, use and maintenance of any product remains solely with the purchaser and end user. We reserve the right to modify or improve the designs or specifications of any product, at any time without notice.

About ASC Engineered Solutions

ASC Engineered Solutions is defined by quality—in its products, services and support. With more than 1,400 employees, the company's portfolio of precision-engineered piping support, valves and connections provides products to more than 4,000 customers across industries, such as mechanical, industrial, fire protection, oil and gas, and commercial and residential construction. Its portfolio of leading brands includes ABZ Valve®, AFCON®, Anvil®, Anvil EPS, Anvil Services, Basic-PSA, Beck®, Catawissa, Cooplet®, FlexHead®, FPPI®, Grevlok®, J.B. Smith, Merit®, North Alabama Pipe, Quadrant®, SCI®, Sharpe®, SlideLOK®, SPF® and SprinkFLEX®. With headquarters in Commerce, CA, and Exeter, NH, ASC also has ISO 9001:2015 certified production facilities in PA, TN, IL, TX, AL, LA, KS, and RI.



asc-es.com

Building connections that last™

FC-DS-SERIES-5303-v02 20220701

